



# DATA SHEET

## SMD DC-Connector

### Serie: T19A049

**SMD DC-Connector**

Serie No.: **T19A049**

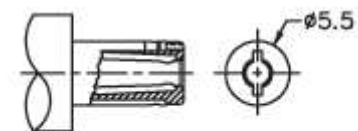
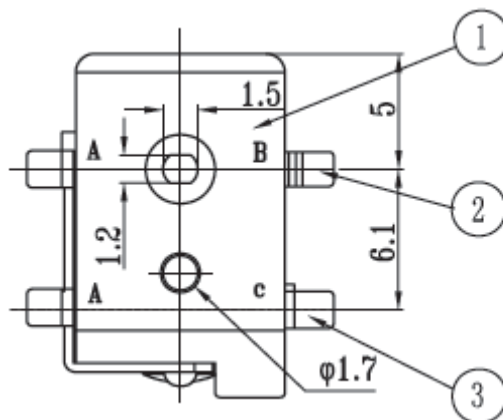
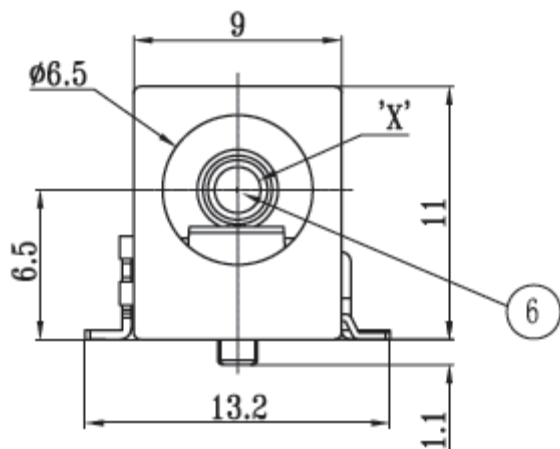
Customer:

DRW:	Jason	CHKD	Wilson	MATL:	Wilson	TOLERANCE	Mason	DATE	25.07.2016
APPD:	Schumi			FINISH	Jamy		Sheet No.	1 from 5	

# EDCON-COMPONENTS

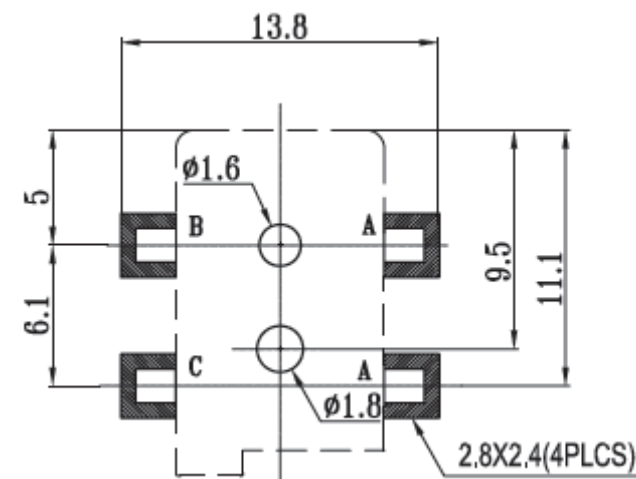
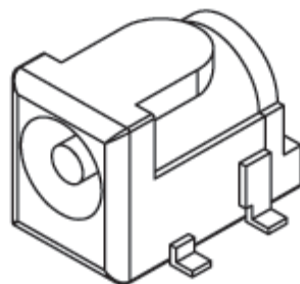
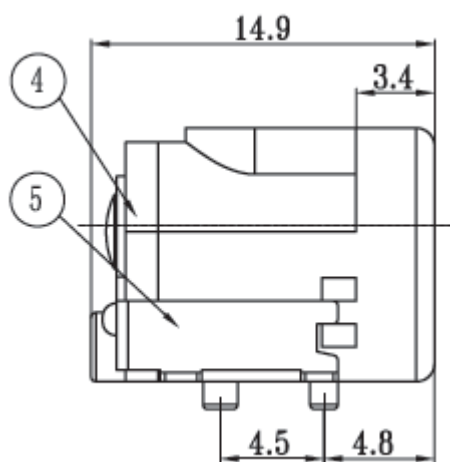


## Technical Dimensions



MATING PLUG  
Jack Insertion Depth: 8.9 mm

## PCB Layout



### SMD DC-Connector

Part No.: **T19A049**

Customer:

DRW:	Jason	CHKD	Wilson	MATL:	Wilson	TOLERANCE	Mason	DATE	25.07.2016
APPD:	Schumi			FINISH	Jamy		Sheet No.		2 from 5

[www.edcon-components.com](http://www.edcon-components.com)

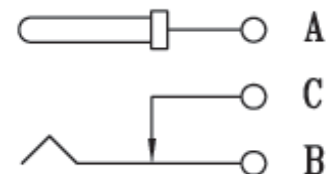
email: [info@edcon-components.com](mailto:info@edcon-components.com)

# EDCON-COMPONENTS



## Technical Description

Operating Temperature:	. -25°C ~ + 85°C
max. Voltage Load (V):	DC 16V
max. Rated Load (A):	DC 5A
Contact Resistance:	< 0,05 Ohm
Insulation Resistance:	> 100 M Ohm
Withstanding Voltage:	AC 500V (50Hz) 1min.
Actuating Force:	3 ~20N
Lifetime:	5000 cycles
Pin Dimension:	2,0mm / 2,5mm
Material Housing:	PA9T, UL94V0
Material	
Terminal C = 4	Brass (TH 0,4mm) Silver Plated
Terminal B = 3	Phosphor Bronze (TH 0,3mm) Silver Plated
Terminal A = 2	Brass (TH 0,4mm) Silver Plated
Cover = 5	PA9T, UL94V0 Colour Black
Center Pin = 6	Brass ( Nickel Plated)



### SMD DC-Connector

Part No.: **T19A049**

DRW:	Jason	CHKD	Wilson	MATL:	Wilson	TOLERANCE	Mason	DATE	25.07.2016
APPD:	Schumi			FINISH	Jamy		Sheet No.		3 from 5

Customer:

[www.edcon-components.com](http://www.edcon-components.com)

email: [info@edcon-components.com](mailto:info@edcon-components.com)

Copyright by S.Tiede



# EDCON-COMPONENTS



## Ordering Informations

Serie	Pin Diameter	Contact Material	Contact Plating	Special function	ROHS	Packing Code				
-------	--------------	------------------	-----------------	------------------	------	--------------	--	--	--	--

<b>T19A049</b>	<b>A</b>	<b>BR</b>	<b>NI</b>	<b>N</b>	<b>R</b>	<b>BU</b>				
----------------	----------	-----------	-----------	----------	----------	-----------	--	--	--	--

<b>A=</b> 2,0mm	<b>BR=</b> Brass	<b>NI=</b> Nickel	<b>N=</b> No function	<b>R=</b> ROHS Conform	<b>BU=</b> Bulk Ware
<b>B=</b> 2,5mm				<b>N=</b> NON ROHS Conform	<b>TU=</b> Tube
					<b>TR=</b> Tape/Reel 350PCS

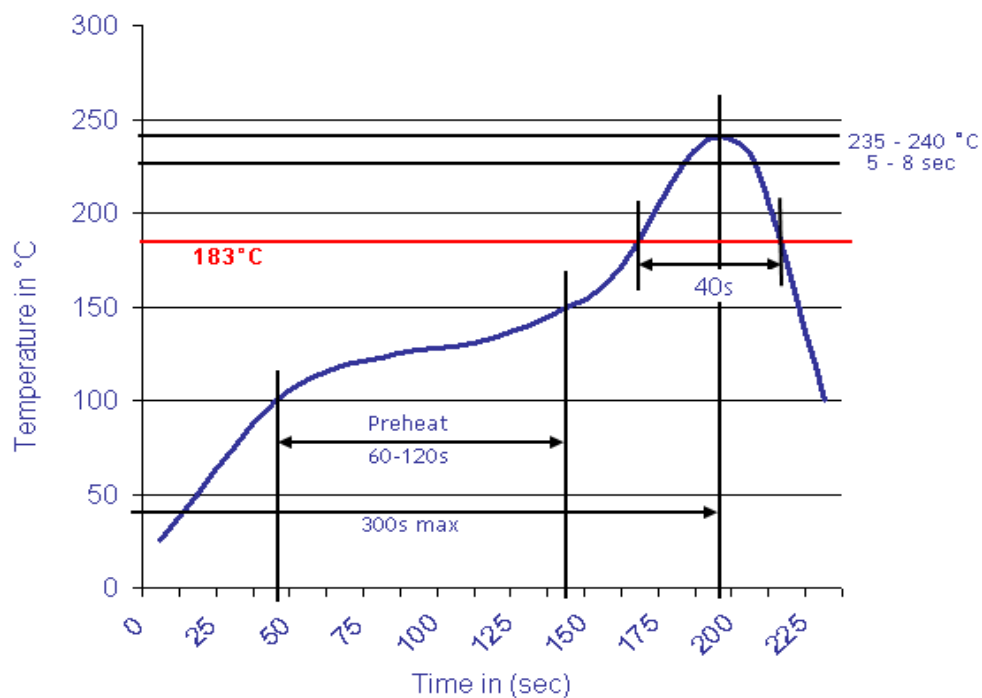
<b>SMD DC-Connector</b>	
Part No.:	<b>T19A049</b>
Customer:	

DRW:	Jason	CHKD	Wilson	MATL:	Wilson	TOLERANCE	Mason	DATE	25.07.2016
APPD:	Schumi			FINISH	Jamy		Sheet No.		4 from 5

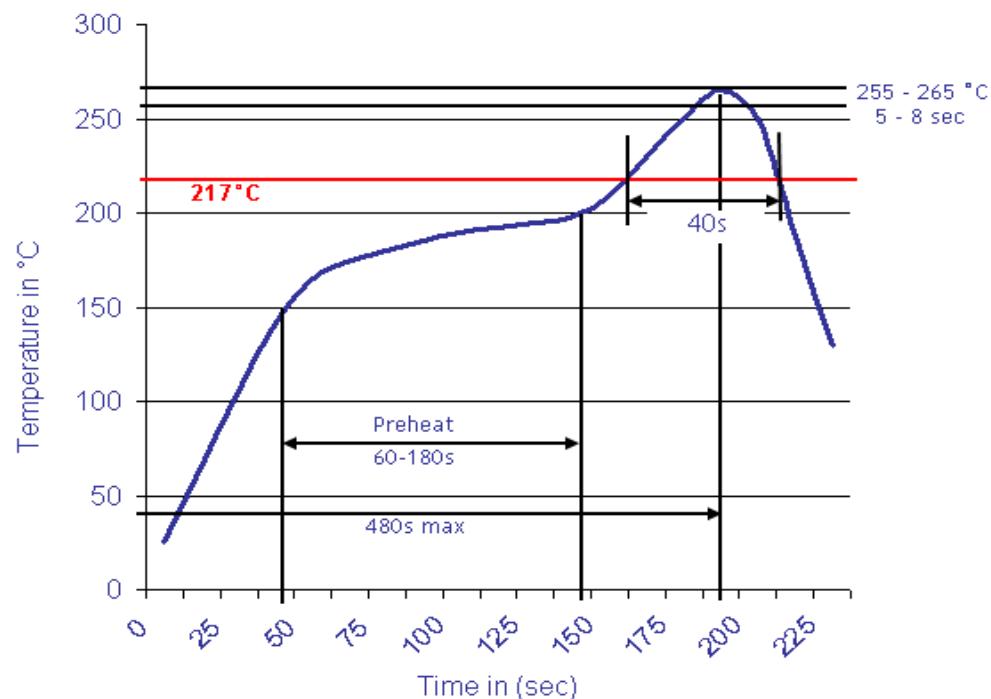


## Soldering Profile Curve

### Classification Reflow Profile (JEDEC J-STD-020C)



### Classification Reflow Profile (JEDEC J-STD-020C)



**SMD DC-Connector**

Part No.: **T19A049**

DRW:	Jason	CHKD	Wilson	MATL:	Wilson	TOLERANCE	Mason	DATE	25.07.2016
APPD:	Schumi			FINISH	Jamy		Sheet No.		5 from 5

Customer:  
email: [info@edcon-components.com](mailto:info@edcon-components.com)