

EDCON-COMPONENTS



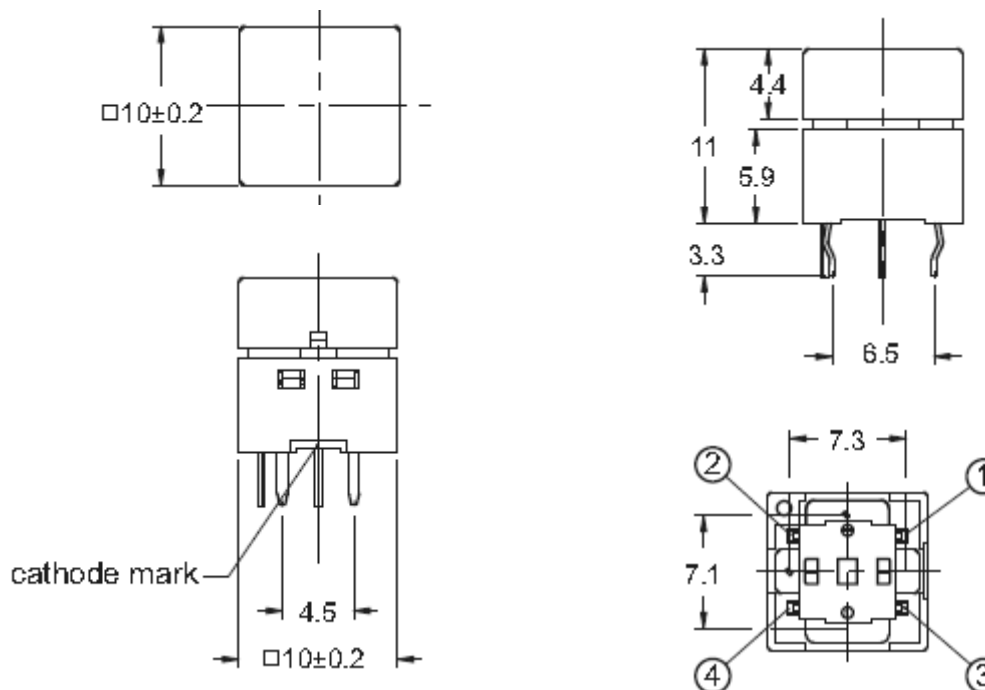
SPECIFICATION:

Voltage Rating:	12VDC
Current Rating:	50mA
Mechanical Life:	50.000 / 300.000cycles
Contact Resistance:	200m Ω max.@ 1,5VDC
Insulation Resistance:	100M Ω min. 100VDC
Dielectric Strength:	250VAC/1min.
OperatingTemperature:	.-25°C ~ +70°C
Operating Force:	160gr. ± 20gr / 250gr ± 30gr
Travel:	0,25mm ±0,1mm
Function:	Momentary OFF-(ON)

Material

1	Case	PBT (UL94V-0)
2	Housing:	PBT (UL94V-0)
3	Actuator:	PC
	Terminal/Contact	LCP & Brass, silver plated

Drawing



Illuminated PCB Switch

Part No.: **Q32028**

Customer:

DRW:	Jason	CHKD	Wilson	MATL:	Wilson	TOLERANCE	Mason	DATE	01.07.2016
APPD:	Schumi			FINISH	Jamy		Sheet No.	1 from 4	

EDCON-COMPONENTS

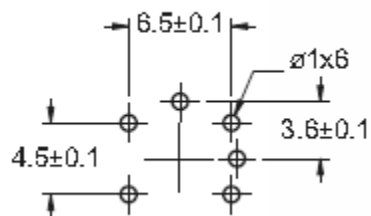


You can create by your self (Please consult EDCON)

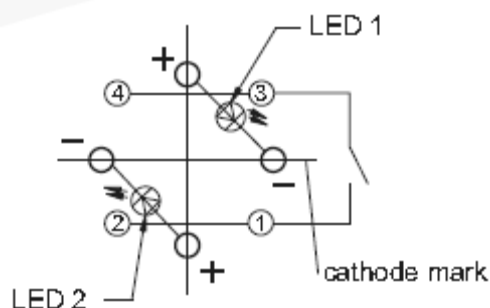
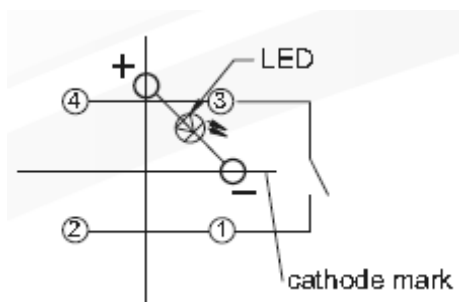
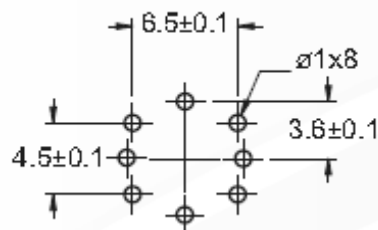
LED Code	mA	Typ. V	Max. V	mcd/ typ	mcd/ min	Wavel.	V- Angle
W	20	3,2	3,7	270	160	X=0.25/Y=0.29	150°
R	20	2,0	2,5	95	50	635	150°
Y	20	2,0	2,5	150	80	585	150°
G	20	3,3	3,7	280	200	520	150°
B	20	3,1	3,6	50	20	460	150°

Symbol Code	Symbol	Symbol Code	Symbol	Symbol Code	Symbol	Symbol Code	Symbol
A1	OFF	C7		F4		J1	
A2	ON	C8		F5		J2	
A3	X	C9		F6		J3	
A4	O	D1		F/		J4	
A5		D2		F8		J5	
A6		D3		F9		J6	
A7		D4		G1		J7	
A8		D5		G2		J8	
A9		D6		G3		J9	
B1		D7		G4		K1	
B2		D8		G5		K2	
B3		D9		G6		K3	
B4		E1		G7		K4	
B5		E2		G8		K5	
B6		E3		G9		K6	
B7		E4		H1		K7	
B8		E5		H2		K8	
B9		E6		H3		K9	
C1		E7		H4		L1	
C2		E8		H5		L2	
C3		E9		H6		L3	
C4		F1		H7		L4	
C5		F2		H8		L5	
C6		F3		H9		L6	

PCB Layout Single Colour LED (TOP View)



PCB Layout Dual Colour LED (Top View)



Illuminated PCB Switch

Part No.: **Q32028**

Customer:

DRW:	Jason	CHKD	Wilson	MATL:	Wilson	TOLERANCE	Mason	DATE	01.07.2016
APPD:	Schumi			FINISH	Jamy		Sheet No.	2 from 4	

EDCON-COMPONENTS



Ordering Informations

Serie	Cap Color	Contact Material	Operating Force	LED Qty.	Electrical life	LED 1	Special function	Symbol Code	ROHS	Packing
Q32028	C	S	251	N	304	N	N	A1	R	TU

C= Transparency	S= Silver Plated	251= 250gr	N= without LED	304= 300.000 Cycles High Force	N= without LED	N= No Function	A1= Look Table Symbol Code	N= Non ROHS	
M= Milky White	G= Gold Plated	160= 160gr	1= with One LED		U= Blue				
R= Red / Single LED			2= with Two LED	503= 50.000 Cycles Standard Force	G= Green				BU= Bulk Ware
O= Orange / Single LED					Y= Yellow				
G= Green / Singel LED					R= Red				
B= Blue / Single LED					W= White				
					P= Red / Blue Dual Led				
					Z= Red / Green Dual Led				

Illuminated PCB Switch

Part No.: **Q32028**

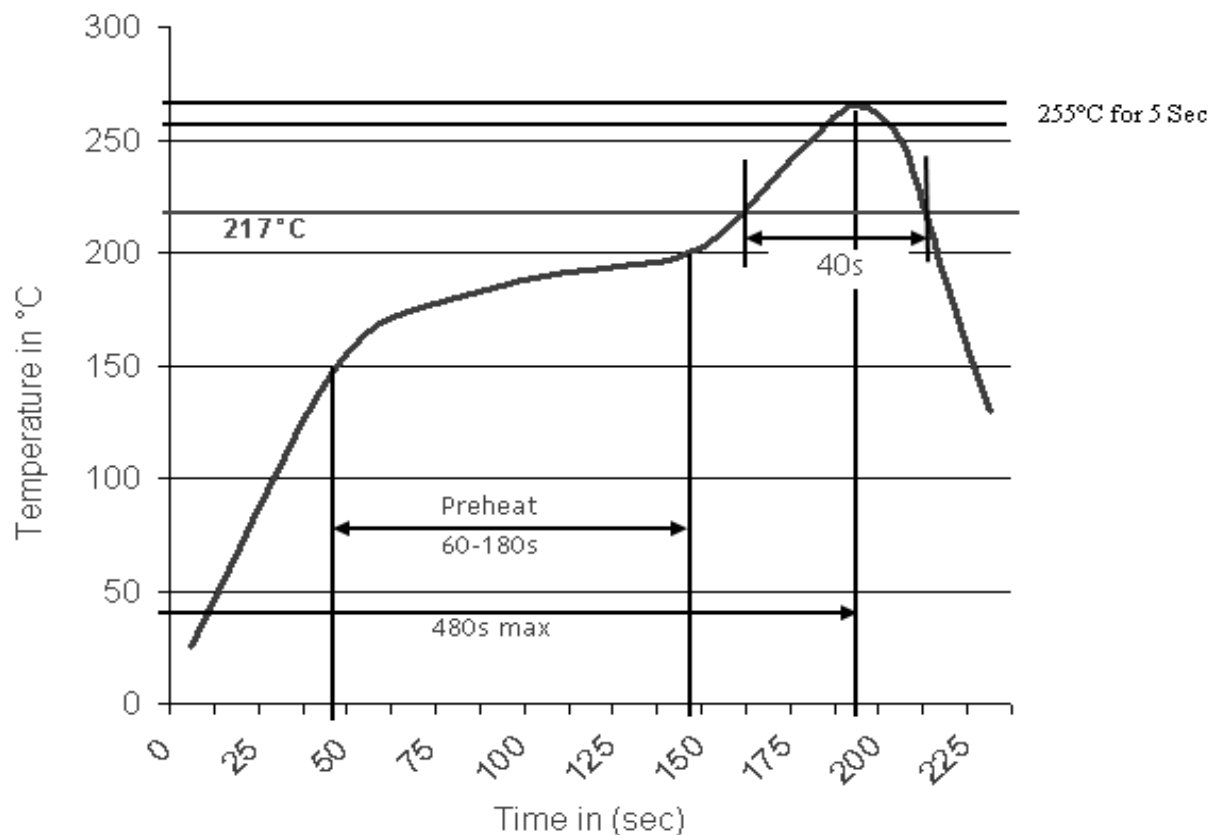
Customer:

DRW:	Jason	CHKD	Wilson	MATL:	Wilson	TOLERANCE	Mason	DATE	01.07.2016
APPD:	Schumi			FINISH	Jamy		Sheet No.		3 from 4



Soldering Profile Curve

Classification Reflow Profile (JEDEC J-STD-020C)



**Illuminated PCB
Switch**

Part No.: **Q32028**

DRW:	Jason	CHKD	Wilson	MATL:	Wilson	TOLERANCE	Mason	DATE	01.07.2016
APPD:	Schumi			FINISH	Jamy		Sheet No.	4 from 4	Customer: