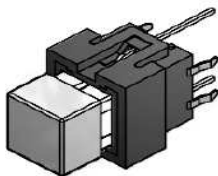


# EDCON-COMPONENTS



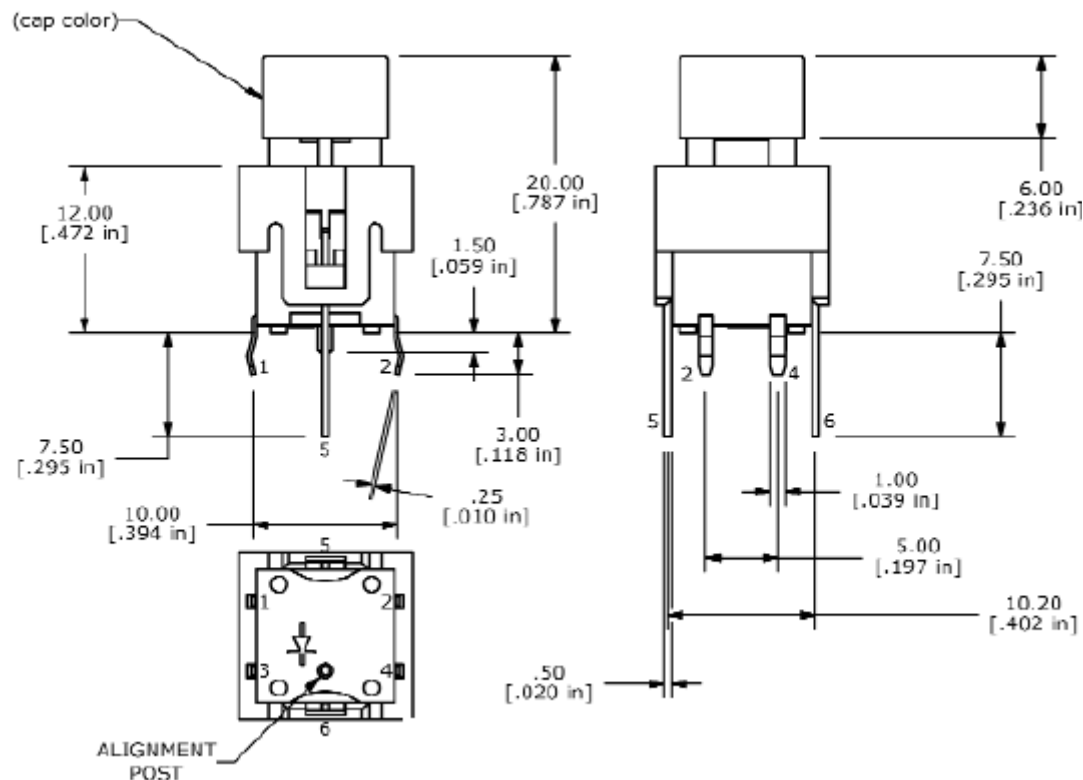
## SPECIFICATION:

Voltage Rating:	20VDC
Current Rating:	1mA
Mechanical Life:	300.000cycles
Contact Resistance:	200m Ω max.@ 1,5VDC
Insulation Resistance:	100M Ω min. 100VDC
Dielectric Strenght:	250VAC/1min.
OperatingTemperature:	.-20°C ~ +70°C
Operating Force:	125gr. ± 35gr
Travel:	1,3mm ±0,3mm
Function:	Momentary OFF-(ON)

## Material

1	Base	Nylon 66 UL 94V-0
2	Actuator	PC
3	Terminal:	Copper Alloy Gold Plated

## Drawing



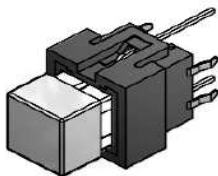
## Illuminated PCB Switch

Part No.: **Q32026**

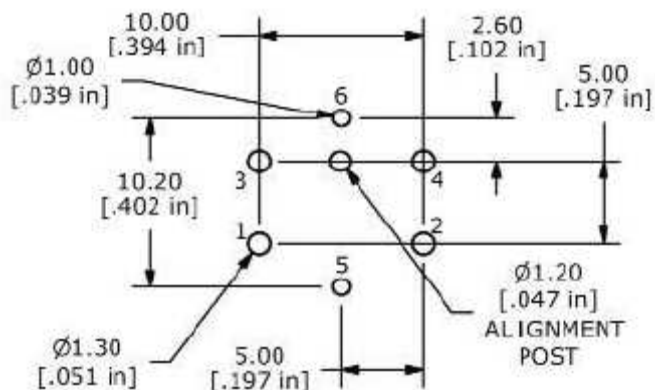
Customer:

DRW:	Jason	CHKD	Wilson	MATL:	Wilson	TOLERANCE	Mason	DATE	01.07.2016
APPD:	Schumi			FINISH	Jamy		Sheet No.	1 from 4	

# EDCON-COMPONENTS

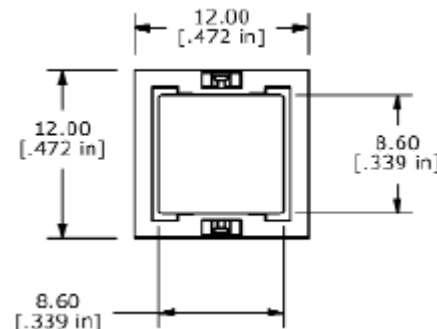
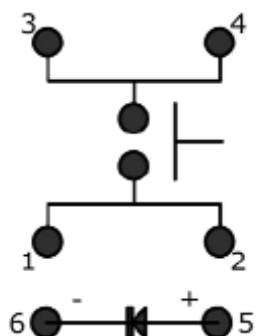


## PCB Layout



LED Code	mA	Typ. V	Max. V		mcd/ typ		
Blue	20	3,5	4,0		1500		
Red	20	1,5	2,4		120		
Green	20	1,7	2,6		120		
Yellow	20	1,7	2,6		350		
White	20	3,5	4,0		2700		

## Schematic



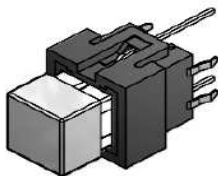
## Illuminated PCB Switch

Part No.: **Q32026**

Customer:

DRW:	Jason	CHKD	Wilson	MATL:	Wilson	TOLERANCE	Mason	DATE	01.07.2016
APPD:	Schumi			FINISH	Jamy		Sheet No.	2 from 4	

# EDCON-COMPONENTS



## Ordering Informations

Serie	Special function	Contact Material	Operating Force	LED 1	Electrical life	LED 1	Special function	ROHS	Packing	
<b>Q32026</b>	<b>N</b>	<b>G</b>	<b>121</b>	<b>W</b>	<b>304</b>	<b>W</b>	<b>N</b>	<b>R</b>	<b>TU</b>	

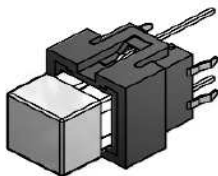
<b>N</b> = No Function	<b>G</b> = Gold Plated	<b>121</b> = 125gr	<b>W</b> =White	<b>304</b> = 300.000 Cycles	<b>W</b> =White	<b>N</b> = No Function	<b>N</b> = Non ROHS	
			<b>B</b> =Black		<b>U</b> = Blue			<b>R</b> = ROHS conform
			<b>R</b> = Red		<b>G</b> = Green			<b>BU</b> = Bulk Ware
			<b>C</b> = Clear		<b>Y</b> = Yellow			
					<b>R</b> = Red			
					<b>N</b> = without LED			

### Illuminated PCB Switch

Part No.: **Q32026**

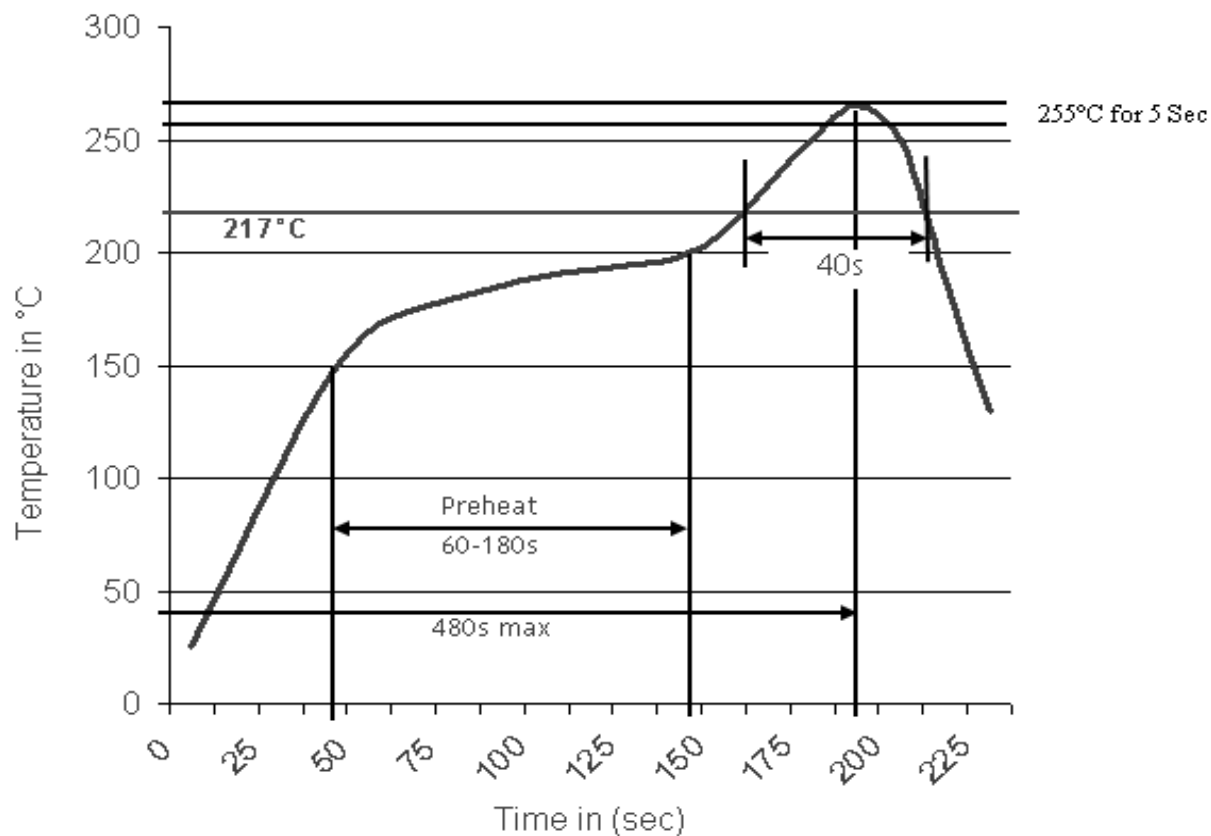
Customer:

DRW:	Jason	CHKD	Wilson	MATL:	Wilson	TOLERANCE	Mason	DATE	01.07.2016
APPD:	Schumi			FINISH	Jamy			Sheet No.	3 from 4



Soldering Profile Curve

Classification Reflow Profile (JEDEC J-STD-020C)



**Illuminated PCB  
Switch**

Part No.: **Q32026**

DRW:	Jason	CHKD	Wilson	MATL:	Wilson	TOLERANCE	Mason	DATE	01.07.2016
APPD:	Schumi			FINISH	Jamy		Sheet No.	4 from 4	Customer: