

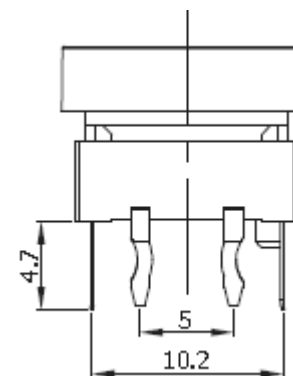
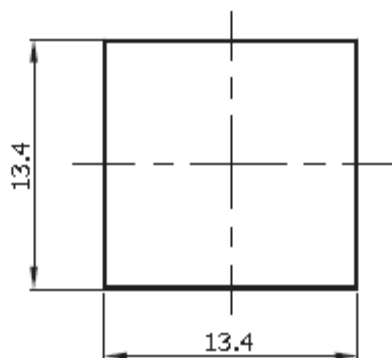
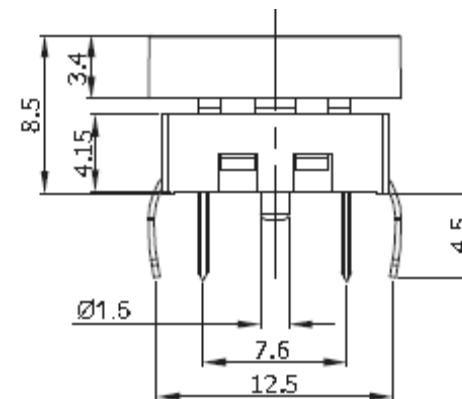
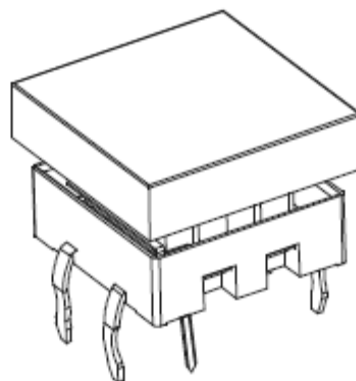
# EDCON-COMPONENTS



## SPECIFICATION:

Voltage Rating:	12VDC
Current Rating:	50mA
Mechanical Life:	200.000cycles
Contact Resistance:	500m Ω max. (initial)
Insulation Resistance:	100M Ω min. 100VDC
Dielectric Strenght:	250VAC/1min.
OperatingTemperature:	.-10°C ~ +60°C
StorageTemperature:	.-20°C ~ +70°C
Operating Force:	250gr. ± 50gr
Travel:	0,4mm ±0,15mm

## Drawing



## Material

1	Base	Nylon 66 UL 94V-0
2	Actuator	PC
3	Top-Cover	PC
4	Terminal:	Brass golden Plated

## THT Tact Switch Illuminated

Part No.: **Q32025**

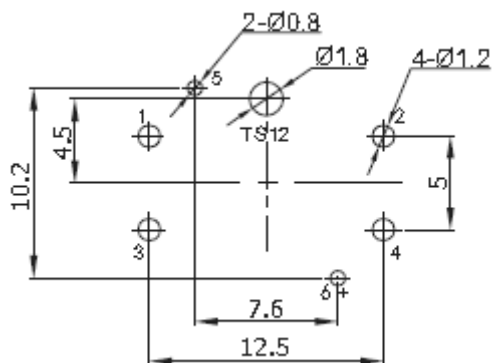
Customer:

DRW:	Jason	CHKD	Wilson	MATL:	Wilson	TOLERANCE	Mason	DATE	01.07.2016
APPD:	Schumi			FINISH	Jamy		Sheet No.	1 from 4	

# EDCON-COMPONENTS



## PCB-Layout



LED Code	Min. V	Typ. V	Max. V	mcd/mMin	mcd / max	nm / min	nm / max
W1	2,2	2,6	3,0	20	80	465	475
U1	2,8	3,2	4,2	25	100	460	470
G1	1,8	2,3	2,6	30	100	565	575
Y1	1,8	2,2	2,6	30	100	583	595
R1	1,6	1,8	2,3	20	100	630	645
U2	5,0	6,0	7,0	20	80	465	475
G2	5,0	6,0	7,0	20	80	566	576
R2	5,0	6,0	7,0	20	80	635	645

### THT Tact Switch Illuminated

Part No.: **Q32025**

Customer:

DRW:	Jason	CHKD	Wilson	MATL:	Wilson	TOLERANCE	Mason	DATE	01.07.2016
APPD:	Schumi			FINISH	Jamy		Sheet No.		2 from 4

# EDCON-COMPONENTS



## Ordering Informations

Serie	Total Height	Contact Material	Operating Force	LED 1	Electrical life	Cap Color	ROHS	Packing		
<b>Q32025</b>	<b>085</b>	<b>S</b>	<b>251</b>	<b>W1</b>	<b>204</b>	<b>W</b>	<b>R</b>	<b>TU</b>		

<b>085</b> = 8,5mm	<b>S</b> = Silver	<b>251</b> = 250gr	<b>W1</b> = White	<b>204</b> = 200.000 Cycles	<b>W</b> = White	<b>N</b> = Non ROHS	
			<b>U1</b> = Blue		<b>R</b> = Red	<b>R</b> = ROHS conform	<b>TU</b> = Tube Packing
			<b>G1</b> = Green		<b>Y</b> = Yellow		<b>BU</b> = Bulk Ware
			<b>Y1</b> = Yellow		<b>G</b> = Green		
			<b>R1</b> = Red		<b>U</b> = Blue		
			<b>U2</b> = White		<b>C</b> = Clear		
			<b>G2</b> = Green		<b>B</b> = Black		
			<b>R2</b> = Red		<b>A</b> = Gray		

**THT Tact Switch  
Illuminated**

Part No.: **Q32025**

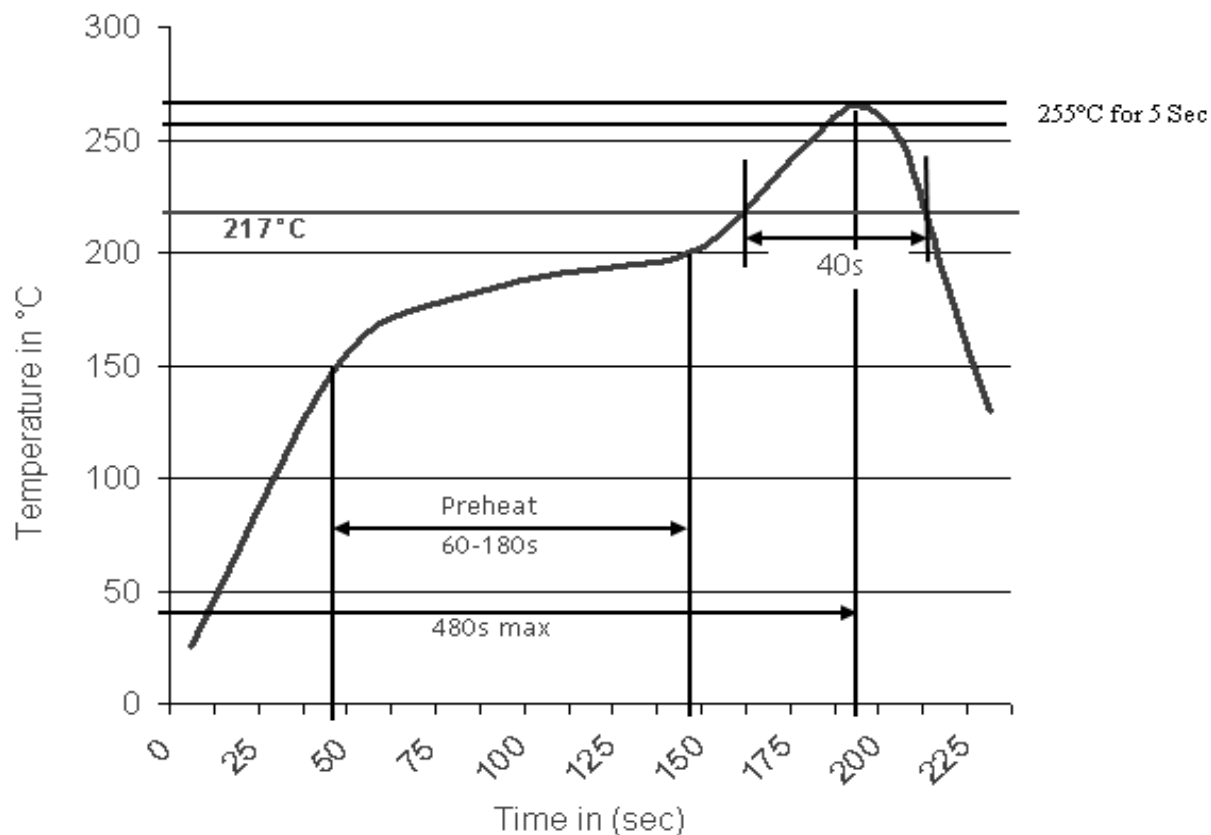
DRW:	Jason	CHKD	Wilson	MATL:	Wilson	TOLERANCE	Mason	DATE	01.07.2016
APPD:	Schumi			FINISH	Jamy			Sheet No.	3 from 4

Customer:



Soldering Profile Curve

Classification Reflow Profile (JEDEC J-STD-020C)



**THT Tact Switch  
Illuminated**

Part No.: **Q32025**

Customer:

DRW:	Jason	CHKD	Wilson	MATL:	Wilson	TOLERANCE	Mason	DATE	01.07.2016
APPD:	Schumi			FINISH	Jamy		Sheet No.	4 from 4	