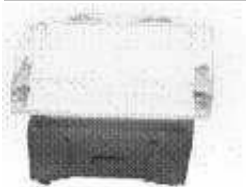


EDCON-COMPONENTS



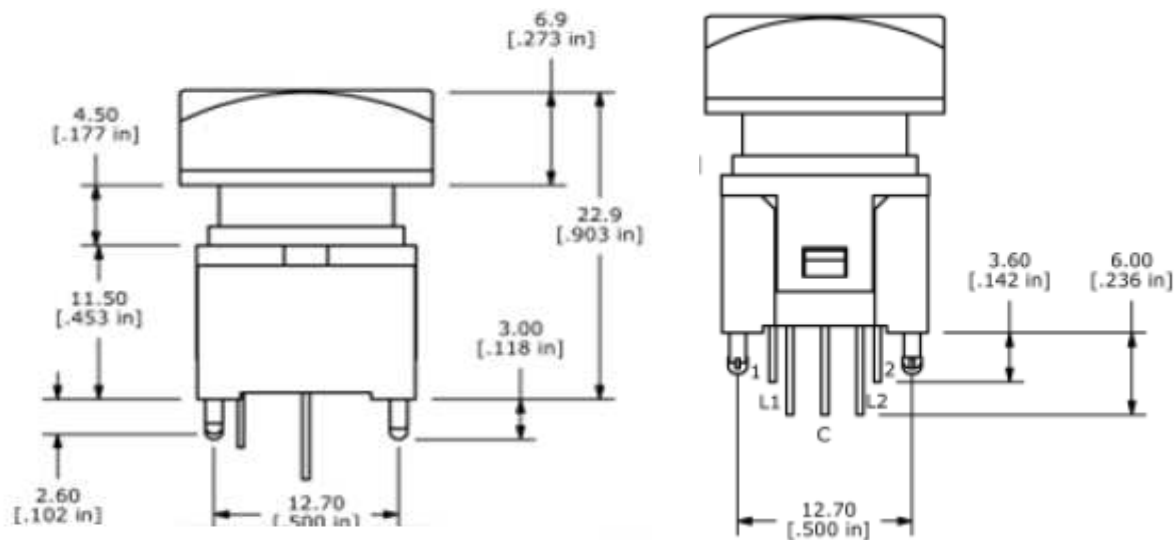
SPECIFICATION:

Voltage Rating:	12VDC
Current Rating:	100mA
Mechanical Life:	1.000.000cycles
Contact Resistance:	200m Ω max. (initial)
Insulation Resistance:	100M Ω min. 500VDC
Dielectric Strength:	500VAC/1min.
Operating Temperature:	.-20°C ~ +70°C
Storage Temperature:	.-20°C ~ +70°C
Operating Force:	250gr. ± 100gr
Travel:	4,5mm ±0,2mm
Function:	Momentary OFF-(ON)

Material

1	Base	Nylon 66 UL 94V-0
2	Actuator	PC
3	Terminal:	Copper Allo Gold Plated

Drawing



Illuminated PCB Switch

Part No.: **Q32006**

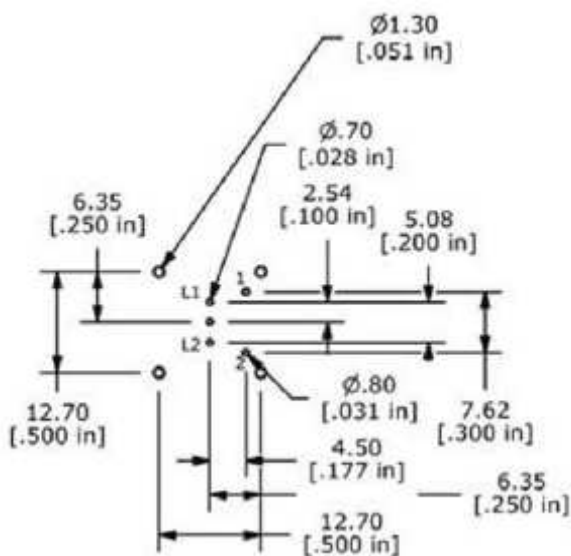
Customer:

DRW:	Jason	CHKD	Wilson	MATL:	Wilson	TOLERANCE	Mason	DATE	01.07.2016
APPD:	Schumi			FINISH	Jamy		Sheet No.	1 from 4	

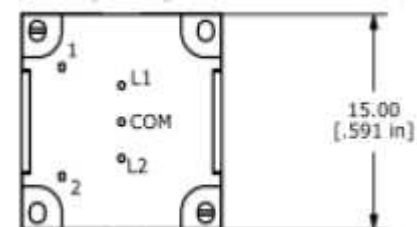
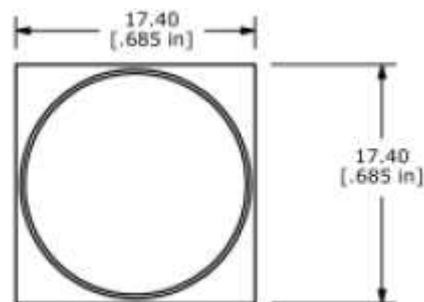
EDCON-COMPONENTS



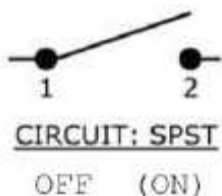
PCB Layout



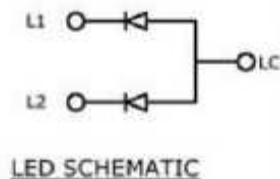
LED Code	mA	Typ. V			mcd/ typ		
R	20	1,9~2,4			40		
G	20	3,1~3,8			250		
Y	20	2,05~3,8			70		
B	20	3,3~3,8			70		
W	20	3,0~3,6			500		



Schematic



Schematic



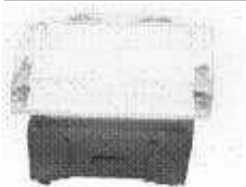
Illuminated PCB Switch

Part No.: **Q32006**

Customer:

DRW:	Jason	CHKD	Wilson	MATL:	Wilson	TOLERANCE	Mason	DATE	01.07.2016
APPD:	Schumi			FINISH	Jamy		Sheet No.	2 from 4	

EDCON-COMPONENTS



Ordering Informations

Serie	Actuation Type	Contact Material	Operating Force	LED 1	Electrical life	LED 1	Cap form	ROHS	Packing	
Q32006	N	G	251	W	105	W	S	R	TU	

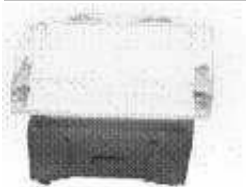
N= Non Tactile feel	G= Gold Plated	251= 250gr	W=White	105= 1.000.000 Cycles	W=White	S= Sculptured	N= Non ROHS	
T= Tactile feel			U= Blue		U= Blue		R= ROHS conform	TU= Tube Packing
			G= Green		G= Green		BU= Bulk Ware	
			Y= Yellow		Y= Yellow			
			R= Red		R= Red			

Illuminated PCB Switch

Part No.: **Q32006**

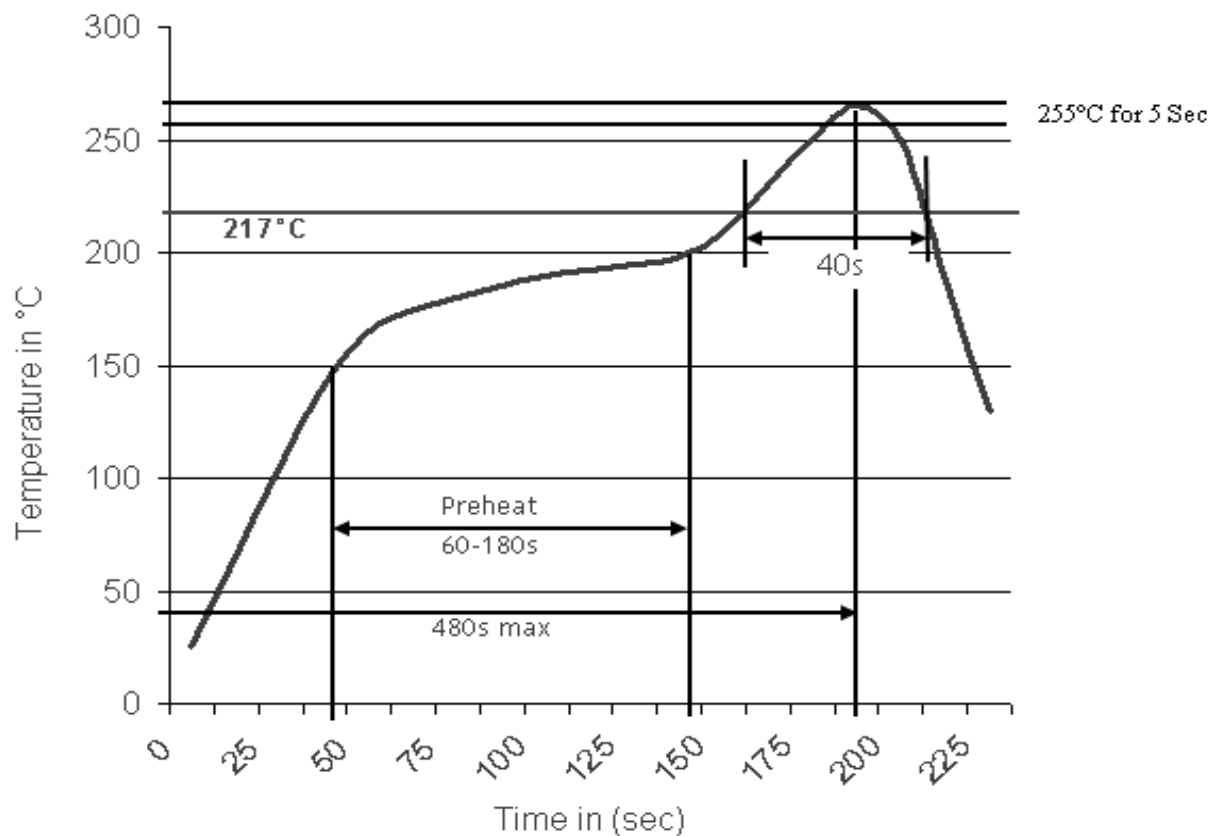
Customer:

DRW:	Jason	CHKD	Wilson	MATL:	Wilson	TOLERANCE	Mason	DATE	01.07.2016
APPD:	Schumi			FINISH	Jamy		Sheet No.	3 from 4	



Soldering Profile Curve

Classification Reflow Profile (JEDEC J-STD-020C)



**Illuminated PCB
Switch**

Part No.: **Q32006**

Customer:

DRW:	Jason	CHKD	Wilson	MATL:	Wilson	TOLERANCE	Mason	DATE	01.07.2016
APPD:	Schumi			FINISH	Jamy		Sheet No.	4 from 4	