

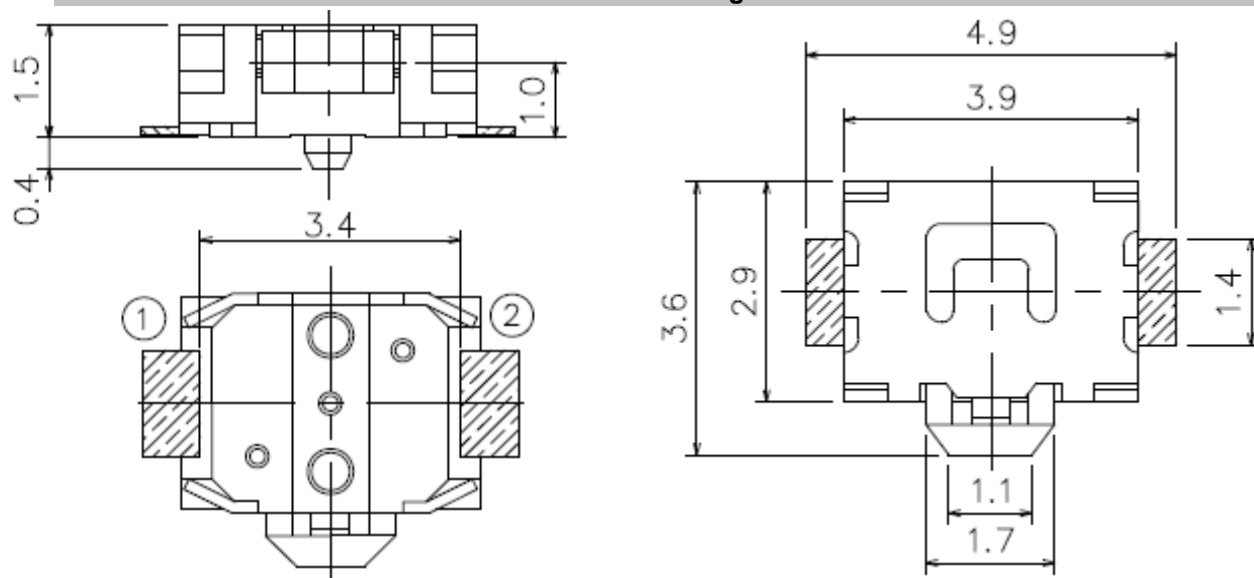
EDCON-COMPONENTS



SPECIFICATION:

Voltage Rating:	12VDC
Current Rating:	50mA
Mechanical Life:	look ordering code
Contact Resistance:	100m Ω max. (initial)
Insulation Resistance:	100M Ω min. 500VDC
Dielectric Strength:	250VAC/1min.
Operating Temperature:	.-20°C ~ +70°C
Storage Temperature:	.-30°C ~ +80°C
Operating Force:	look ordering code ± 50gr.
Travel:	0,25mm ± 0,1mm

Drawing



SMT Tact Switch

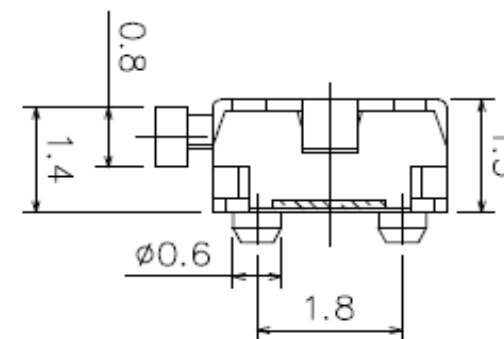
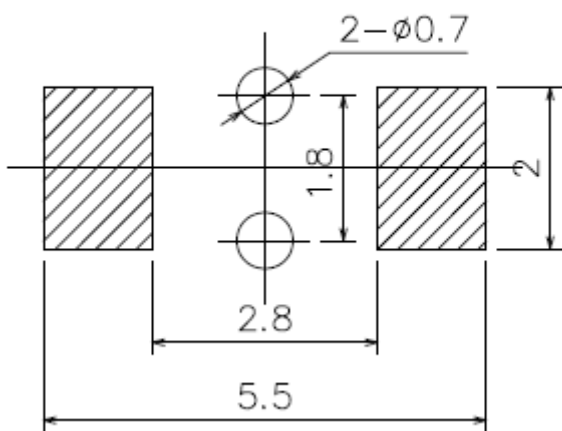
Part No.: **Q12163**

Customer:

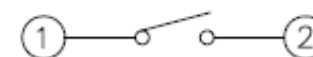
DRW:	Jason	CHKD	Wilson	MATL:	Wilson	TOLERANCE	Mason	DATE	01.07.2016
APPD:	Schumi			FINISH	Jamy		Sheet No.	1 from 4	



P.C.B. Mounting
pattern Dimension



Circuit Diagram



SMT Tact Switch

Part No.: **Q12163**

Customer:

DRW:	Jason	CHKD	Wilson	MATL:	Wilson	TOLERANCE	Mason	DATE	01.07.2016
APPD:	Schumi			FINISH	Jamy		Sheet No.	2 from 4	

EDCON-COMPONENTS



Ordering Informations

Serie	Total Height	Special function	Operating Force	Polarisation Peg	Electrical life	Special function	ROHS	Packing		
Q12163	014	N	161	Y	104	N	R	TR		

014 = 1,4mm	N = No Special function			104 = 100.000 Cycles	N = No Special function	N = Non ROHS	TR = Tape/Reel Packing
		161 = 160gr	Y = with Peg			R = ROHS conform	TU = Tube Packing
		251 = 250gr					BU = Bulk Ware

SMT Tact Switch

Part No.: **Q12163**

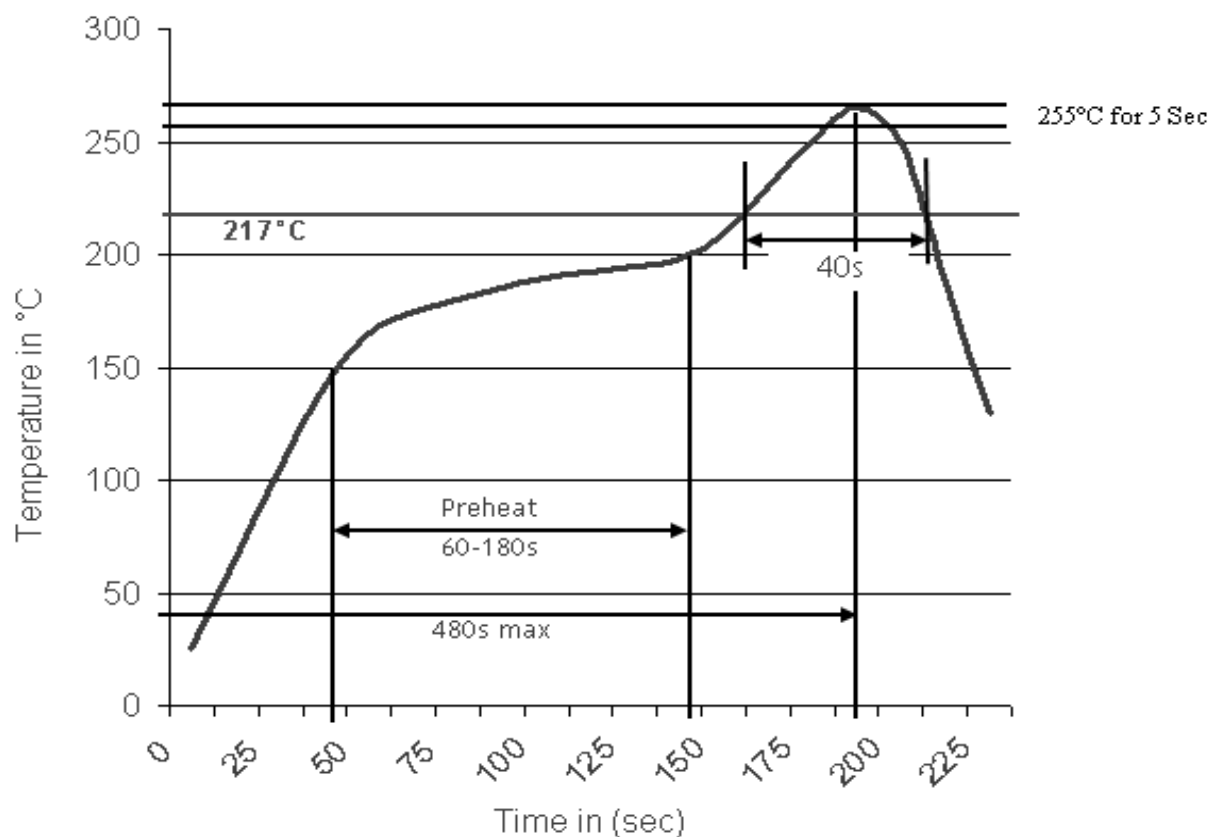
Customer:

DRW:	Jason	CHKD	Wilson	MATL:	Wilson	TOLERANCE	Mason	DATE	01.07.2016
APPD:	Schumi			FINISH	Jamy		Sheet No.		3 from 4



Soldering Profile Curve

Classification Reflow Profile (JEDEC J-STD-020C)



SMT Tact Switch

Part No.: **Q12163**

Customer:

DRW:	Jason	CHKD	Wilson	MATL:	Wilson	TOLERANCE	Mason	DATE	01.07.2016
APPD:	Schumi			FINISH	Jamy		Sheet No.	4 from 4	