

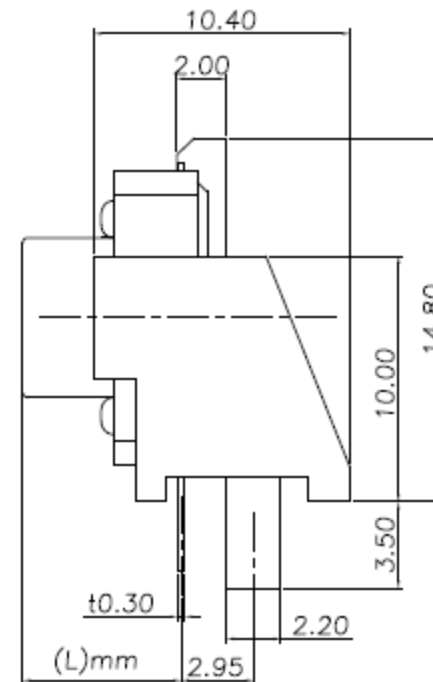
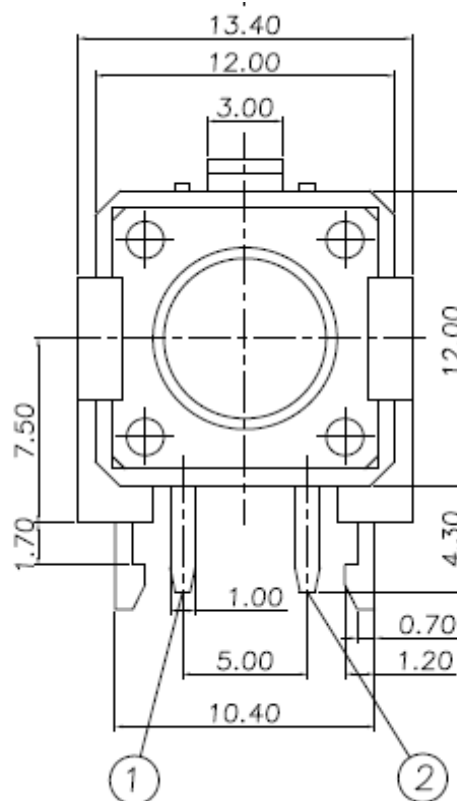
EDCON-COMPONENTS



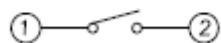
SPECIFICATION:

Voltage Rating: 12VDC
 Current Rating: 50mA
 Mechanical Life: look ordering code
 Contact Resistance: 100m Ω max. (initial)
 Insulation Resistance: 100M Ω min. 500VDC
 Dielectric Strength: 250VAC/1min.
 Operating Temperature: -20°C ~ +70°C
 Storage Temperature: -30°C ~ +80°C
 Operating Force: look ordering code ± 50gr.
 Travel: 0,3mm ± 0,1mm

Drawing



Circuit diagram



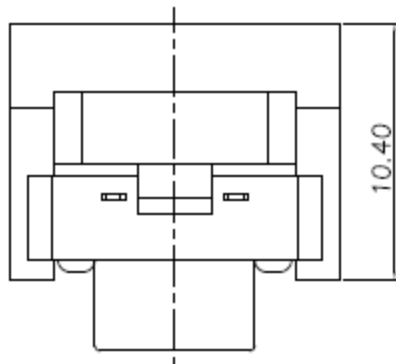
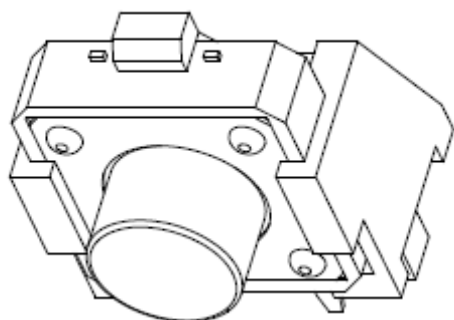
THT Tact Switch

Part No.: **Q11135**

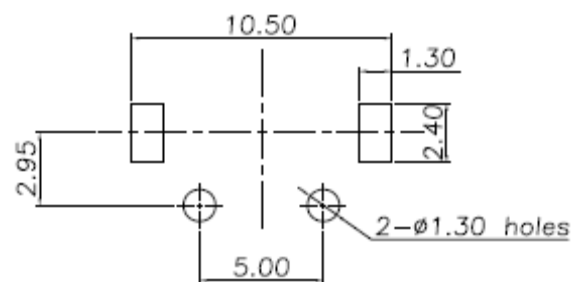
Customer:

DRW:	Jason	CHKD	Wilson	MATL:	Wilson	TOLERANCE	Mason	DATE	01.07.2016
APPD:	Schumi			FINISH	Jamy		Sheet No.	1 from 4	

EDCON-COMPONENTS



P.C.B Mounting
pattern Dimension



THT Tact Switch

Part No.: **Q11135**

Customer:

DRW:	Jason	CHKD	Wilson	MATL:	Wilson	TOLERANCE	Mason	DATE	01.07.2016
APPD:	Schumi			FINISH	Jamy		Sheet No.	2 from 4	

EDCON-COMPONENTS



Ordering Informations

Serie	Total Height	Special function	Operating Force	Polarisation Peg	Electrical life	Special function	ROHS	Packing		
Q11135	035	N	131	N	803	N	R	BU		

035 = 3,5mm	N = No Special function	131 = 130gr	N = without Peg	304 = 300.000 Cycles 130 / 160gr	N = No Special function	N = Non ROHS	
064 = 6,45mm		161 = 160gr					R = ROHS conform
082 = 8,25mm		251 = 250gr		104 = 100.000 Cycles 250gr			BU = Bulk Ware
072 = 7,25mm							

THT Tact Switch

Part No.: **Q11135**

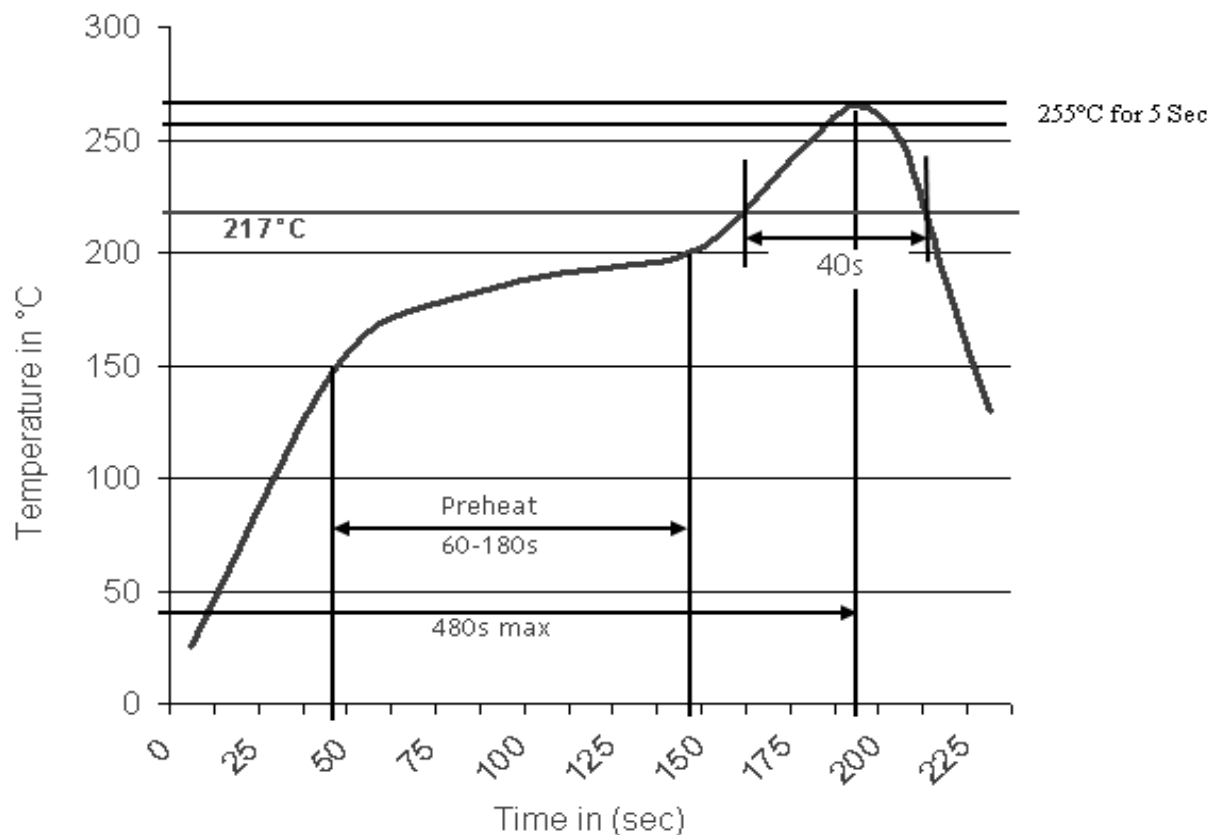
Customer:

DRW:	Jason	CHKD	Wilson	MATL:	Wilson	TOLERANCE	Mason	DATE	01.07.2016
APPD:	Schumi			FINISH	Jamy		Sheet No.		3 from 4



Soldering Profile Curve

Classification Reflow Profile (JEDEC J-STD-020C)



THT Tact Switch

Part No.: **Q11135**

Customer:

DRW:	Jason	CHKD	Wilson	MATL:	Wilson	TOLERANCE	Mason	DATE	01.07.2016
APPD:	Schumi			FINISH	Jamy		Sheet No.	4 from 4	