

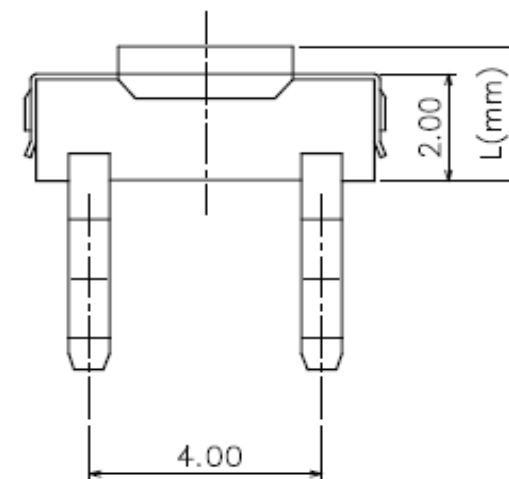
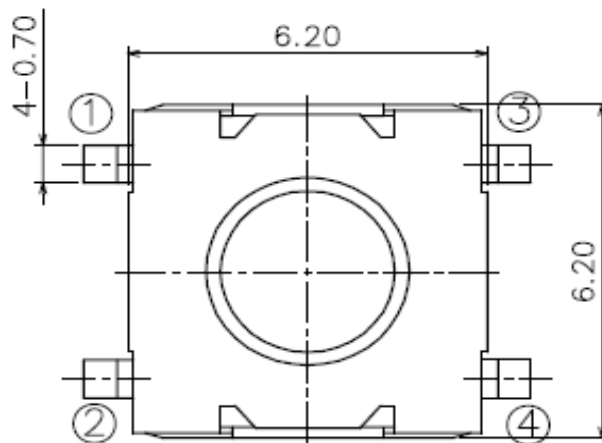
# EDCON-COMPONENTS



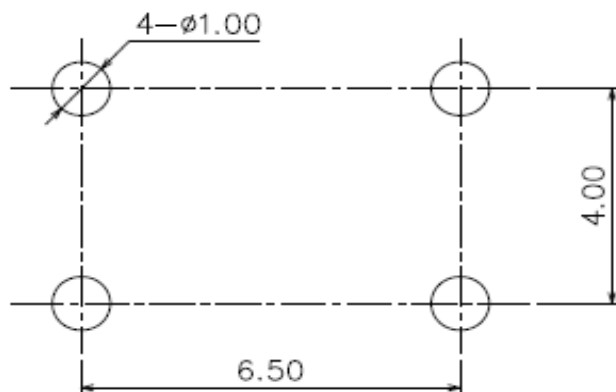
## SPECIFICATION:

Voltage Rating:	15VDC
Current Rating:	20mA
Mechanical Life:	1.000000 / 2.000.000 cycles
Contact Resistance:	100m Ω max. (initial)
Insulation Resistance:	50M Ω min. 100VDC
Dielectric Strength:	250VAC/1min.
Operating Temperature:	.-20°C ~ +70°C
Storage Temperature:	.-30°C ~ +80°C
Operating Force:	100gr ± 30gr / 50gr ± 15gr /
Travel:	0,2mm ± 0,1mm

## Drawing



## PCB Layout



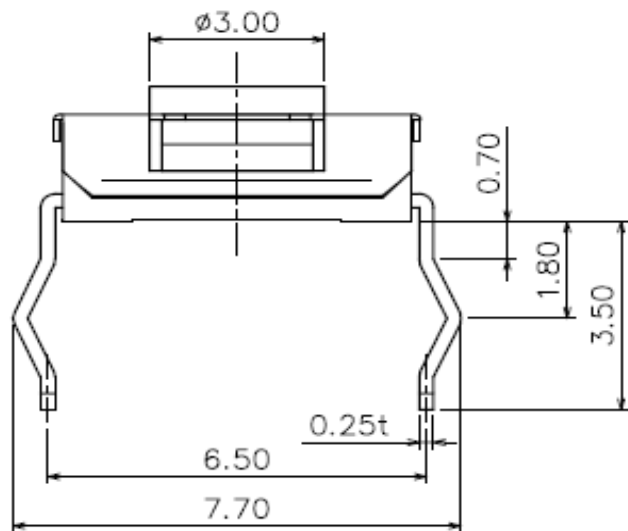
## SMT Tact Switch Side Type

Part No.: **Q11134**

Customer:

DRW:	Jason	CHKD	Wilson	MATL:	Wilson	TOLERANCE	Mason	DATE	01.07.2016
APPD:	Schumi			FINISH	Jamy		Sheet No.	1 from 4	

# EDCON-COMPONENTS



## SMT Tact Switch Side Type

Part No.: **Q11134**

Customer:

DRW:	Jason	CHKD	Wilson	MATL:	Wilson	TOLERANCE	Mason	DATE	01.07.2016
APPD:	Schumi			FINISH	Jamy		Sheet No.	2 from 4	

# EDCON-COMPONENTS



## Ordering Informations

Serie	Total length w. Body	Special function	Operating Force	Polarisation Peg	Electrical life	Special function	ROHS	Packing		
<b>Q11134</b>	<b>025</b>	<b>N</b>	<b>101</b>	<b>N</b>	<b>105</b>	<b>N</b>	<b>R</b>	<b>BU</b>		

<b>025</b> = 2,5mm	<b>N</b> = No special function	<b>101</b> = 100gr / 1.000000 Cyc	<b>N</b> = without Peg	<b>105</b> = 1.000.000 Cycles	<b>N</b> = No special function	<b>N</b> = Non ROHS	
		<b>050</b> = 50gr / 2.000000 Cyc		<b>205</b> = 2.000.000 Cycles		<b>R</b> = ROHS conform	<b>TU</b> = Tube Packing
							<b>BU</b> = Bulk Ware

**SMT Tact Switch Side Type**

Part No.: **Q11134**

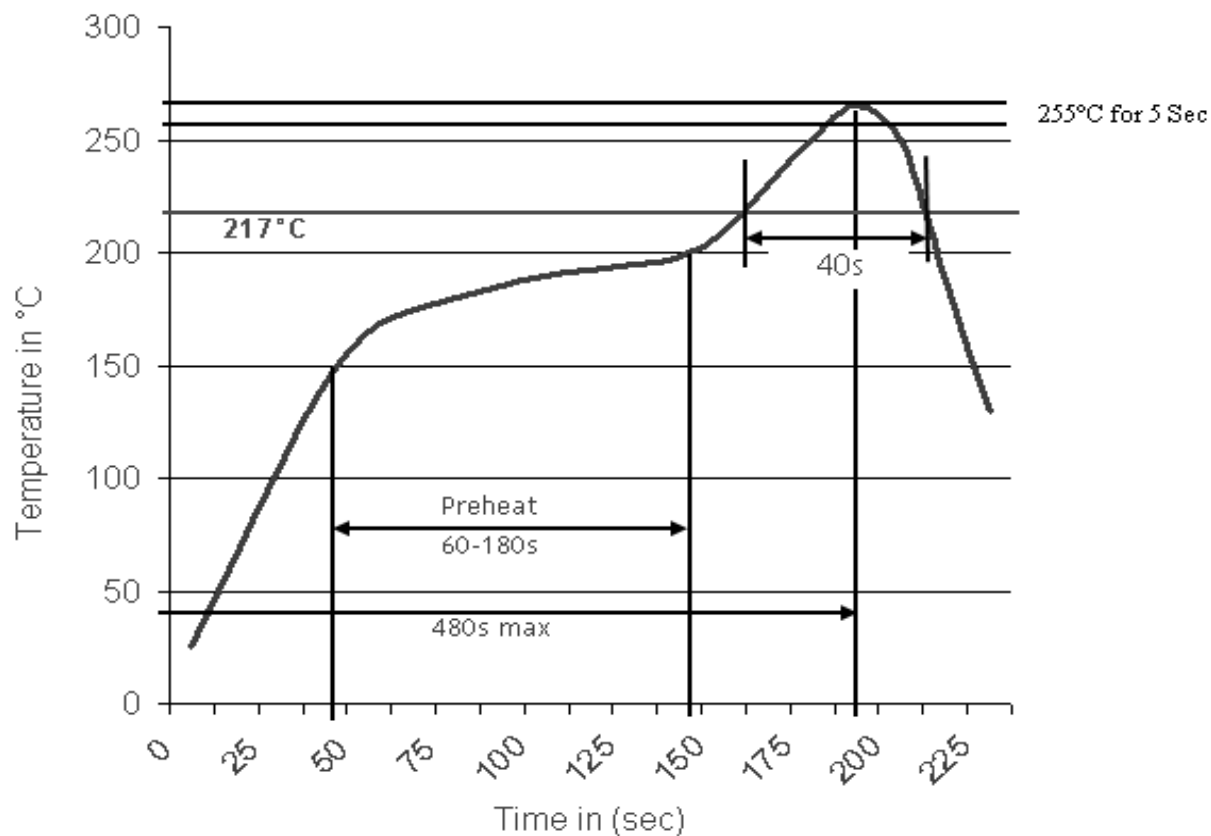
Customer:

DRW:	Jason	CHKD	Wilson	MATL:	Wilson	TOLERANCE	Mason	DATE	01.07.2016
APPD:	Schumi			FINISH	Jamy		Sheet No.		3 from 4



Soldering Profile Curve

Classification Reflow Profile (JEDEC J-STD-020C)



**SMT Tact Switch Side Type**

Part No.: **Q11134**

Customer:

DRW:	Jason	CHKD	Wilson	MATL:	Wilson	TOLERANCE	Mason	DATE	01.07.2016
APPD:	Schumi			FINISH	Jamy		Sheet No.	4 from 4	