

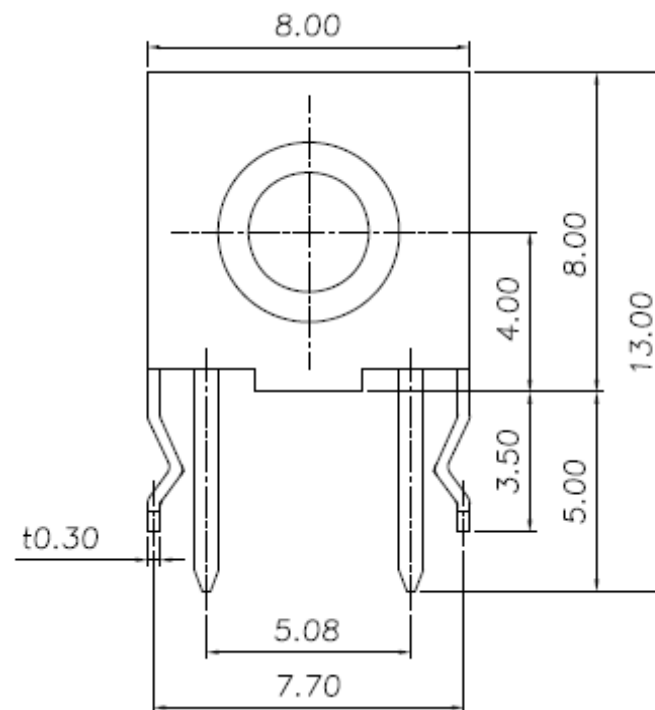
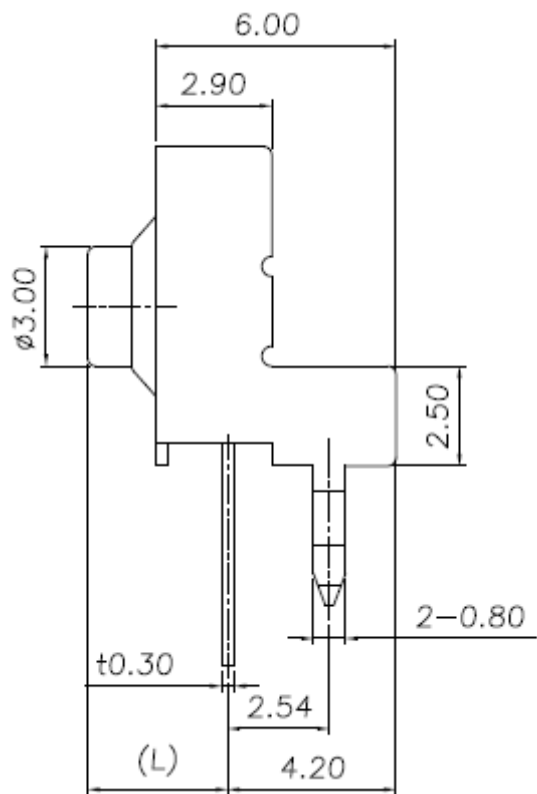
# EDCON-COMPONENTS



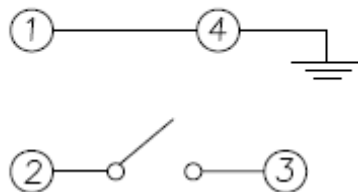
## SPECIFICATION:

Voltage Rating:	12VDC
Current Rating:	50mA
Mechanical Life:	look ordering code
Contact Resistance:	100m Ω max. (initial)
Insulation Resistance:	100M Ω min. 500VDC
Dielectric Strength:	250VAC/1min.
Operating Temperature:	.-20°C ~ +70°C
Storage Temperature:	.-30°C ~ +80°C
Operating Force:	look ordering code ± 50gr.
Travel:	0,25mm ± 0,1mm

## Drawing



Circuit Diagram



## THT Tact Switch

Part No.: **Q11118**

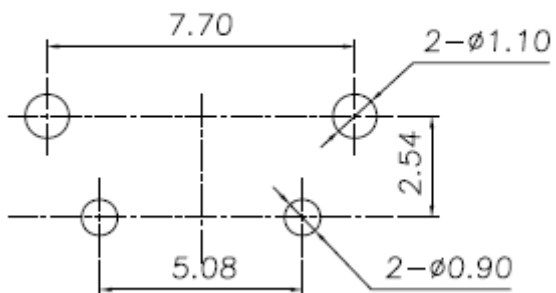
Customer:

DRW:	Jason	CHKD	Wilson	MATL:	Wilson	TOLERANCE	Mason	DATE	01.07.2016
APPD:	Schumi			FINISH	Jamy		Sheet No.	1 from 4	

# EDCON-COMPONENTS



P.C.B Mounting  
pattern Dimension



## THT Tact Switch

Part No.: **Q11118**

Customer:

DRW:	Jason	CHKD	Wilson	MATL:	Wilson	TOLERANCE	Mason	DATE	01.07.2016
APPD:	Schumi			FINISH	Jamy		Sheet No.	2 from 4	

# EDCON-COMPONENTS



## Ordering Informations

Serie	Total Height	Special function	Operating Force	Polarisation Peg	Electrical life	Special function	ROHS	Packing		
<b>Q11118</b>	<b>035</b>	<b>N</b>	<b>131</b>	<b>N</b>	<b>803</b>	<b>N</b>	<b>R</b>	<b>TR</b>		

<b>035</b> = 3,5mm	<b>N</b> = No Special function	<b>131</b> = 130gr	<b>N</b> = without Peg	<b>803</b> = 80.000 Cycles 130 / 160gr	<b>N</b> = No Special function	<b>N</b> = Non ROHS	<b>TR</b> = Tape/Reel Packing
<b>040</b> = 4,0mm		<b>161</b> = 160gr					<b>R</b> = ROHS conform
<b>057</b> = 5,7mm		<b>301</b> = 300gr		<b>503</b> = 50.000 Cycles 300gr			<b>BU</b> = Bulk Ware
<b>087</b> = 8,7mm							

## THT Tact Switch

Part No.: **Q11118**

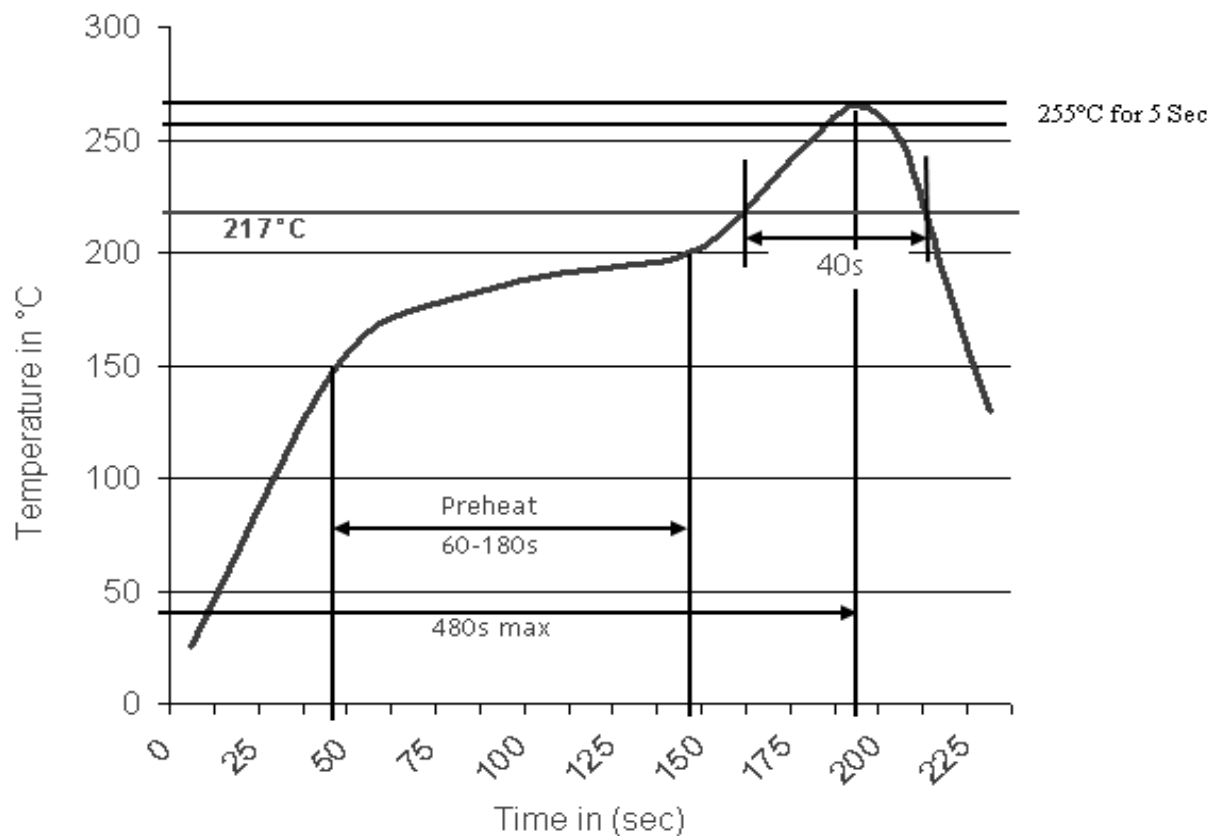
Customer:

DRW:	Jason	CHKD	Wilson	MATL:	Wilson	TOLERANCE	Mason	DATE	01.07.2016
APPD:	Schumi			FINISH	Jamy		Sheet No.		3 from 4



Soldering Profile Curve

Classification Reflow Profile (JEDEC J-STD-020C)



**THT Tact Switch**

Part No.: **Q11118**

Customer:

DRW:	Jason	CHKD	Wilson	MATL:	Wilson	TOLERANCE	Mason	DATE	01.07.2016
APPD:	Schumi			FINISH	Jamy		Sheet No.	4 from 4	