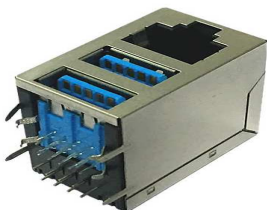


EDCON-COMPONENTS



Technical Discription

Electrical RJ-45

Current Rating:	1,5A
Voltage Rating:	125VAC
Insulation Resistance:	500M Ω min.
Contact Resistance:	30m Ω max.
Withstanding Voltage:	AC 500V RMS 50/60Hz 1min.

Mechanical RJ-45

Insertion Force:	5 Lbs max.
Retention Strength:	7,7Kg.F min.beetween jack a. plug
Durability:	1000 mating cycles min.

Electrical USB

Current Rating:	1,0A
Voltage Rating:	125VAC
Insulation Resistance:	1000M Ω min.
Contact Resistance:	30m Ω max.
Withstanding Voltage:	AC 750V RMS 50/60Hz 1min.

Mechanical USB

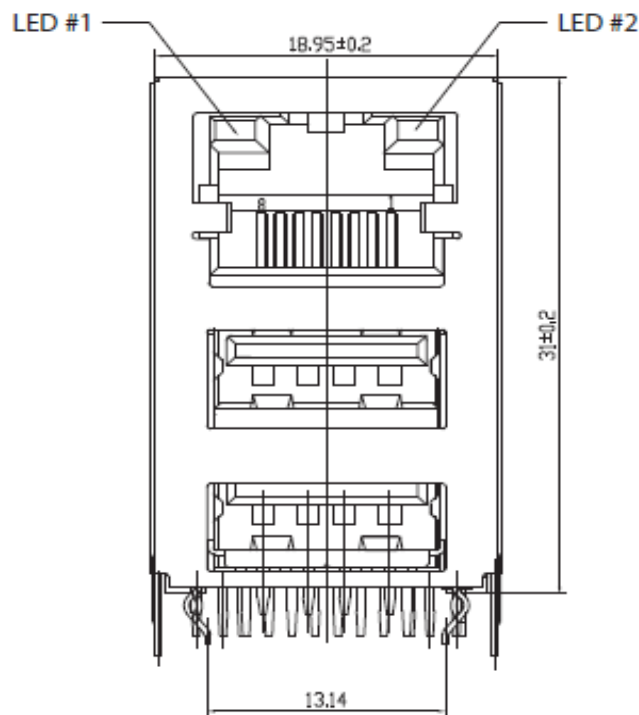
Contact Mating Force:	34N (3,5KG) Max
Connector Force:	9,8N (1,0Kg) max.
Durability:	1500 mating cycles min.

Material

Insulator:	Thermoplastic (UL94V-0
Contact:	Thickness Phosphor Bronzw
Contact Plating:	Nickel under Gold plated Area

Working Temperatur . -0°C ~ +70°C

Technical Drawing



	LED1	LED2
Option	Forward	Reverse
G	Green	-----
Y	Yellow	-----
R	Red	-----
1	Green	Orange
2	Yellow	Orange
3	Green	Red
4	Yellow	Red
5	Green	Yellow
6	Yellow	Reen
7	Red	Green
8	Red	Yellow

USB3.0 Dual Port + 1xRJ45

Part No.: **T91A27001-**

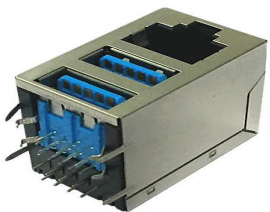
Customer:

DRW:	John	CHKD	Tony	MATL:	Tony	TOLERANCE	Su	DATE	23.05.2016
APPD:	Jimmy			FINISH	Jeff		Sheet No.		1 from 5

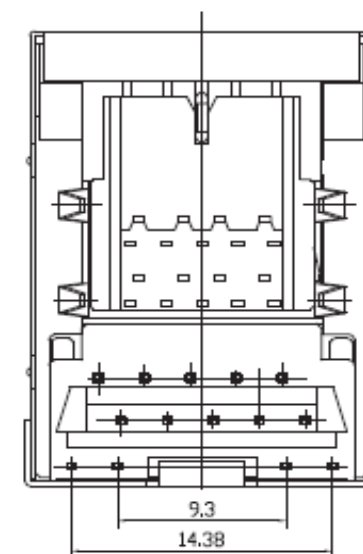
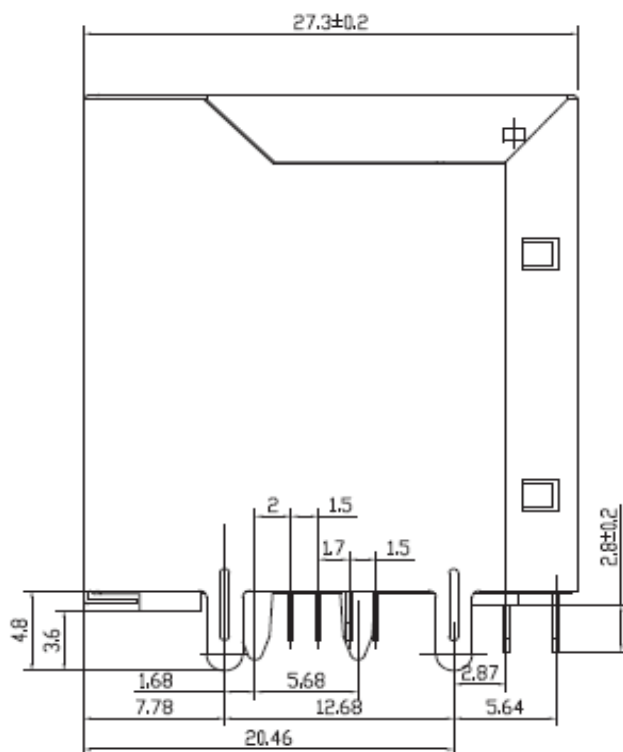
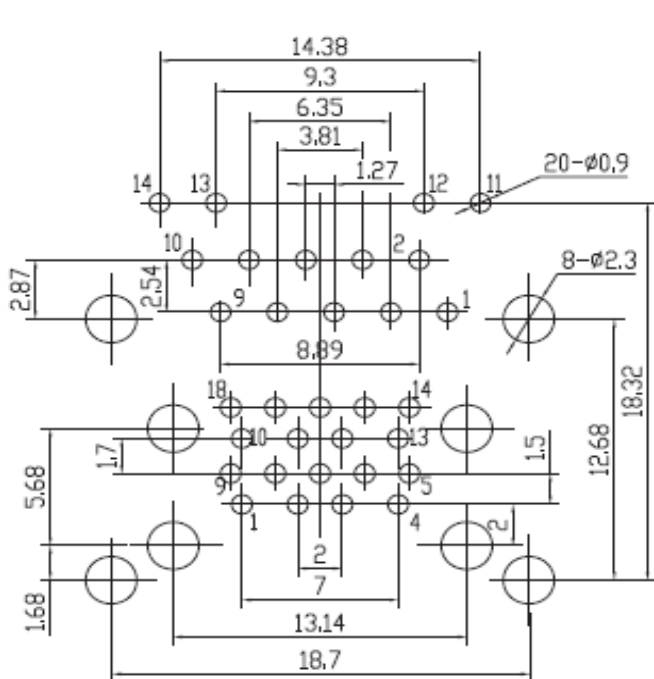
www.edcon-components.com

email: info@edcon-components.com

EDCON-COMPONENTS



PCB Layout



USB3.0 Dual Port + 1xRJ45

Part No.: **T91A27001-**

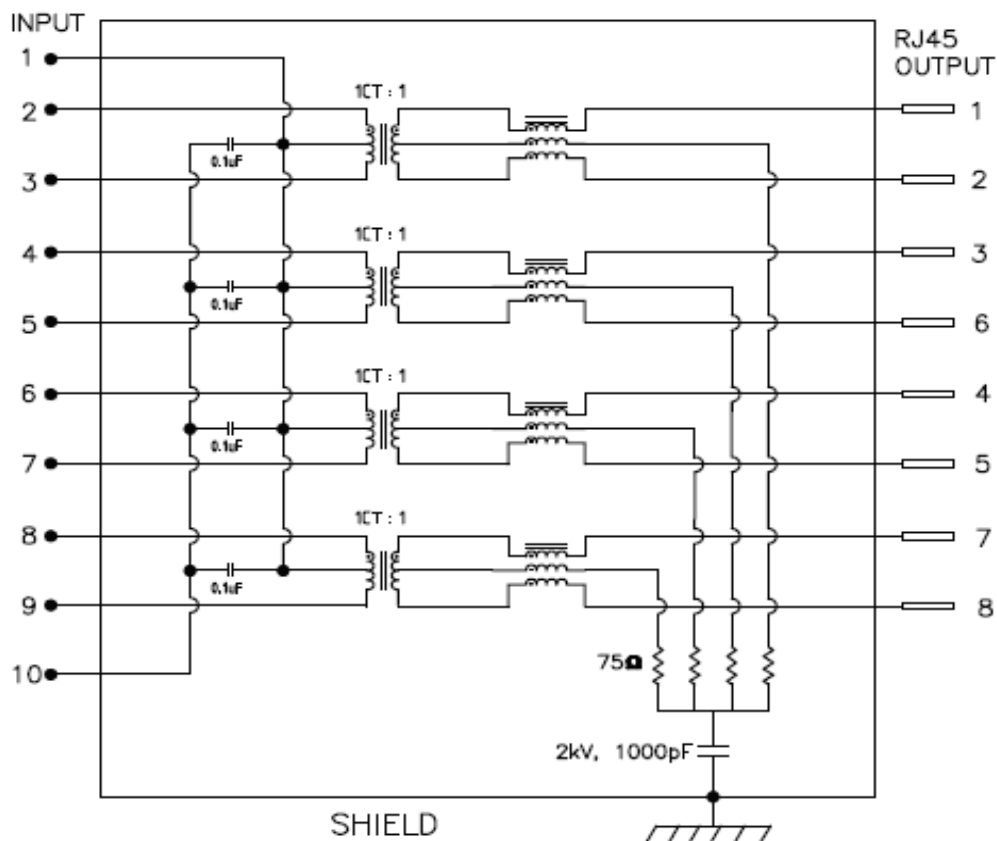
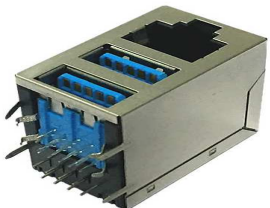
DRW:	John	CHKD	Tony	MATL:	Tony	TOLERANCE	Su	DATE	23.05.2016
APPD:	Jimmy			FINISH	Jeff		Sheet No.	2 from 5	

Customer:
email: info@edcon-components.com

www.edcon-components.com

Copyright by S.Tiede

EDCON-COMPONENTS



1. TR: (100KHz, 0.1V)
PINS: (10,11): (J1,J2)=1: 1±3%; (12,13): (J3,J6)=1: 1±3%
PINS: (14,15): (J4,J5)=1: 1±3%; (16,17): (J7,J8)=1: 1±3%
2. LX: (100KHz, 100mV, 8mA, DC Bias)
PINS: (J1,J2), (J3,J6), (J4,J5), (J7,J8)=350uH MINIMUM
3. DCR:
PINS: (10,11), (12,13), (14,15), (16,17)= 1.5 OHMS MAXIMUM
PINS: (J1,J2), (J3,J6), (J4,J5), (J7,J8)=1.2 OHMS MAXIMUM
4. HIPOT:
PINS(10,11)TO(J1,J2), (12,13)TO(J3,J6)=1500VAC FOR 60 SECONDS
PINS(14,15)TO(J4,J5), (16,17)TO(J7,J8)-1500VAC FOR 60 SECONDS
5. INSERTION LOSS:
-0.8dB MAXIMUM AT 0.1MHz TO 100MHz;
-1.2dB MAXIMUM AT 100MHz TO 120MHz
6. RETURN LOSS:
-18dB MINIMUM AT 0.5MHz TO 40MHz;
-12+20Log(f/80MHz)dB MINIMUM AT 40MHz TO 100MHz
7. CROSS TALK:
-33+20Log(f/100MHz)dB MINIMUM AT 0.1MHz TO 100MHz
8. COMMON TO DIFFERENTIAL MODE REJECTION:
-35dB MINIMUM AT 100KHz TO 100MHz
9. COMMON TO COMMON MODE REJECTION:
-30dB MINIMUM AT 100KHz TO 100MHz



USB3.0 Dual Port + 1xRJ45	
Part No.:	T91A27001-
Customer:	

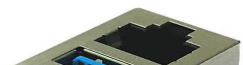
DRW:	John	CHKD	Tony	MATL:	Tony	TOLERANCE	Su	DATE	23.05.2016
APPD:	Jimmy			FINISH	Jeff		Sheet No.		3 from 5

www.edcon-components.com

email: info@edcon-components.com

Copyright by S.Tiede

EDCON-COMPONENTS





Ordering Informations

Serie	No. Of. Positions	No. Of Contact	Contact Plating	Special function	Special function	LED1 Left Side	LED2 Right Side	ROHS	Packing	
T91A27001-	8	8	GF	N	N	Y	G	R	TY	

8= 8Pos.	8= 8 Pos. connecting	GF= Gold Flash GA= 3µGold Plating GB= 6µGold Plating GC= 15µGold Plating GD= 30µGold Plating GE= 50µGold Plating	N= No special function	N= No special function	Look Table	Look Table	R= ROHS conform N= NON ROHS conform	TY= Tray Packing BU= Bulk-Ware
-----------------	-----------------------------	---	-------------------------------	-------------------------------	-------------------	-------------------	--	---

USB3.0 Dual Port + 1xRJ45
Part No.: T91A27001-
Customer:

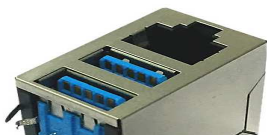
DRW:	John	CHKD	Tony	MATL:	Tony	TOLERANCE	Su	DATE	23.05.2016
APPD:	Jimmy			FINISH	Jeff		Sheet No.		4 from 5

www.edcon-components.com

email: info@edcon-components.com

Copyright by S.Tiede

EDCON-COMPONENTS

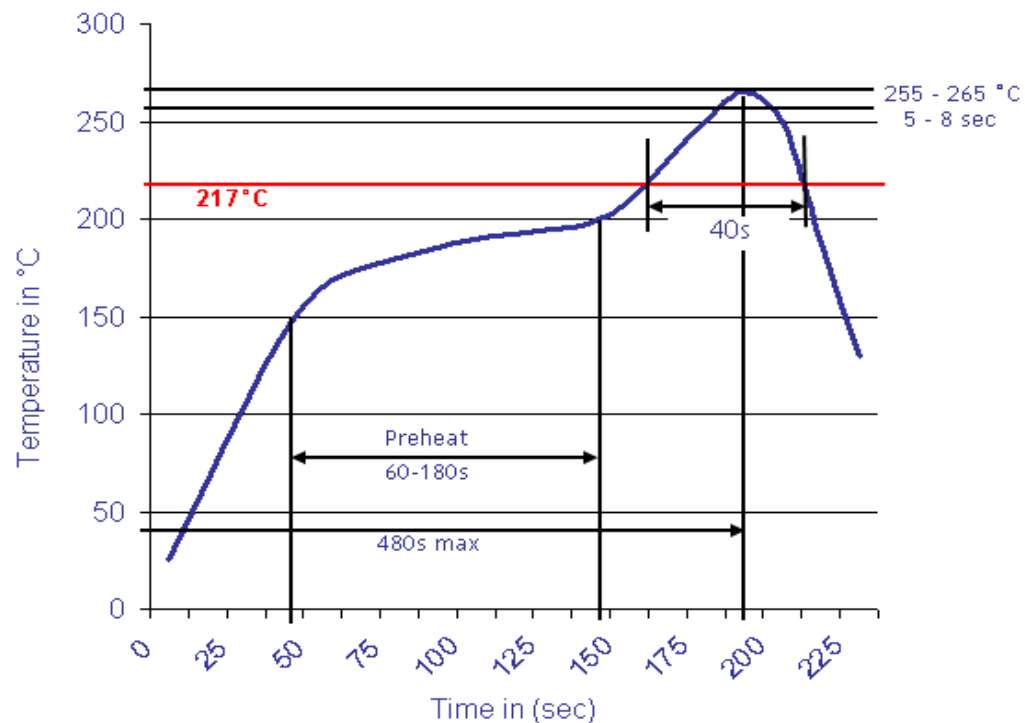




Soldering Profile Curve

Lead Free Soldering Curve

Classification Reflow Profile (JEDEC J-STD-020C)



USB3.0 Dual Port + 1xRJ45

Part No.: **T91A27001-**

DRW:	John	CHKD	Tony	MATL:	Tony	TOLERANCE	Su	DATE	23.05.2016
APPD:	Jimmy			FINISH	Jeff		Sheet No.	5 from 5	Customer: