



DATA SHEET

RJ-Connector

Serie: T91A15013-

**RJ45 Connector 8P8C Fully
Shielded 90° Entry**

Serie No.: **T91A15013-**

DRW:	Jason	CHKD	Wilson	MATL:	Wilson	TOLERANCE	Mason	DATE	24.08.2015
APPD:	Schumi			FINISH	Jamy		Sheet No.		1 from 14

Customer:

EDCON-COMPONENTS



Technical Description

PCB Layout

Electrical

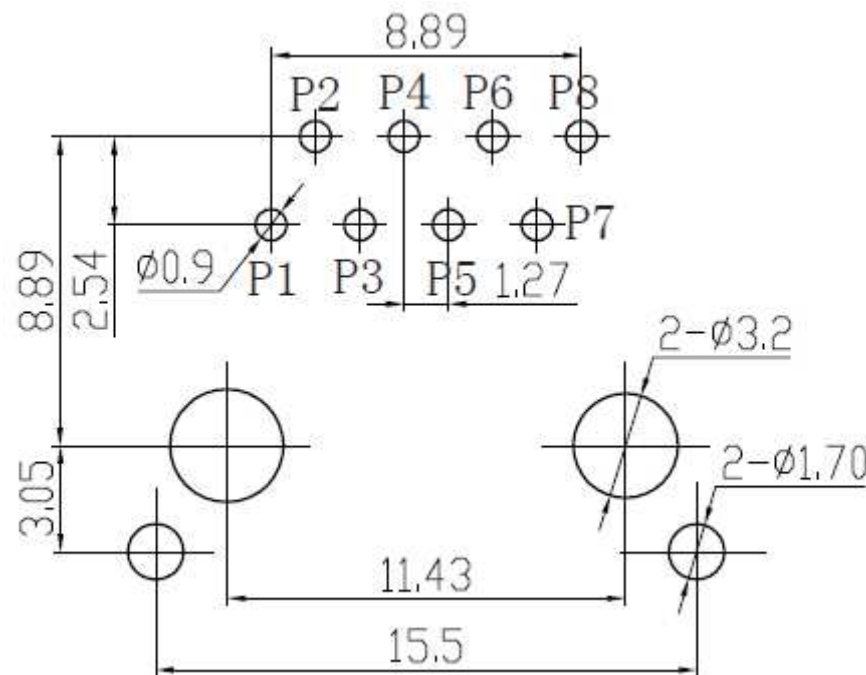
Current Rating:	1,5A
Voltage Rating:	125VAC
Insulation Resistance:	1000M Ω min.
Contact Resistance:	30M Ω max.
Withstanding Voltage:	AC 1000V RMS50/60Hz 1min.

Mechanical

Insertion Force:	2,2KG F. max.
Retention Strength:	7,7Kg F min beetwenn jack a.plug
Durability:	600mating cycles min.

Material

Housing:	ABS Resin (UL94V-0) PBT (UL94V-0 / PA66 UL94V-0) PA46 UL94V-0
Contact Wire	Phosphor Bronze Gold Plating over Nickel 0,35mm thickness
Shield	0,20 ~ 0,25mm thickness Brass with tin plated
Contact Plating	Look order Code
Working Temperature:	.-40°C ~ +70°C



RJ45 Connector 8P8C Fully Shielded 90° Entry

Part No.: **T91A15013-**

DRW:	Jason	CHKD	Wilson	MATL:	Wilson	TOLERANCE	Mason	DATE	24.08.2015
APPD:	Schumi			FINISH	Jamy		Sheet No.		x from x

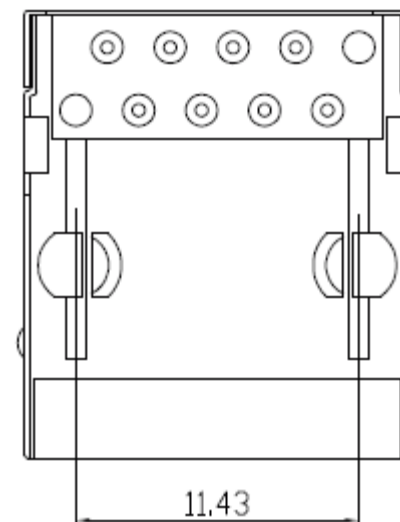
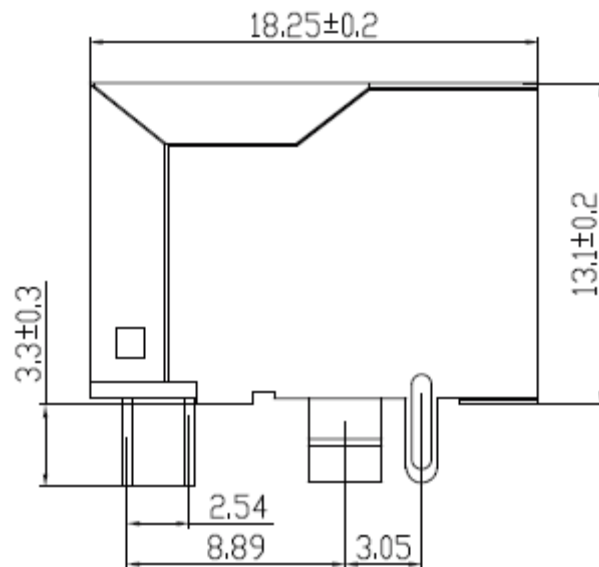
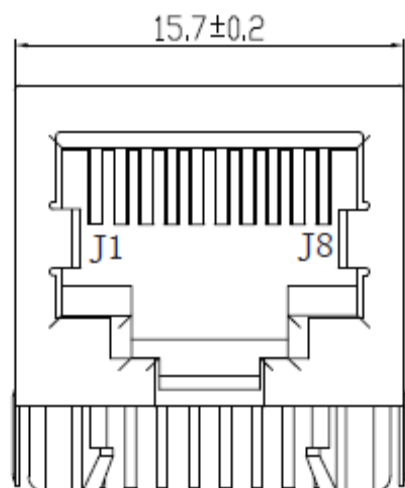
Customer:
email: info@edcon-components.com

www.edcon-components.com

EDCON-COMPONENTS



Technical Drawing



RJ45 Connector 8P8C Fully Shielded 90° Entry	
Part No.:	T91A15013-
Customer:	

DRW:	Jason	CHKD	Wilson	MATL:	Wilson	TOLERANCE	Mason	DATE	24.08.2015
APPD:	Schumi			FINISH	Jamy		Sheet No.		x from x

www.edcon-components.com

email: info@edcon-components.com

EDCON-COMPONENTS



Ordering Informations

Serie	No of Positions	No of Contacts	Contact Plating	Special function	ROHS	Packing Code				
-------	-----------------	----------------	-----------------	------------------	------	--------------	--	--	--	--

T91A15013-	08	08	GF	N	R	TY				
-------------------	-----------	-----------	-----------	----------	----------	-----------	--	--	--	--

08= Positions	08= Contacts	GF= Gold Flash	N= No function	R= ROHS Conform	BU= Bulk Ware
		GA= 3μ Gold		N= NON ROHS Conform	TY= Tray Packing
		GB= 6μ Gold			TU= Tupe Packing
		GC= 15μ Gold			
		GD= 30μ Gold			
		GE= 50μ Gold			

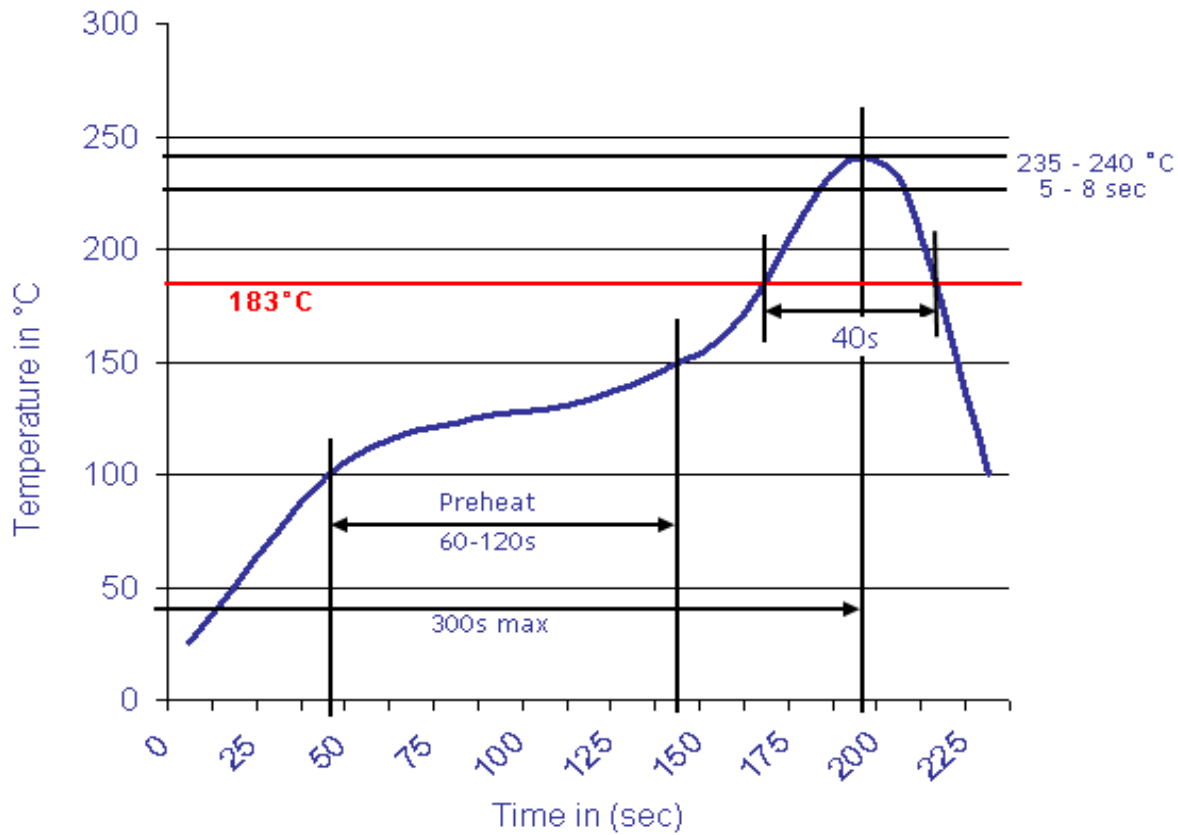
RJ45 Connector 8P8C Fully Shielded 90° Entry	
Part No.:	T91A15013-
Customer:	

DRW:	Jason	CHKD	Wilson	MATL:	Wilson	TOLERANCE	Mason	DATE	24.08.2015
APPD:	Schumi			FINISH	Jamy		Sheet No.		x from x



Soldering Profile Curve

Classification Reflow Profile (JEDEC J-STD-020C)



RJ45 Connector 8P8C Fully Shielded 90° Entry	
Part No.:	T91A15013-
Customer:	

DRW:	Jason	CHKD	Wilson	MATL:	Wilson	TOLERANCE	Mason	DATE	24.08.2015
APPD:	Schumi			FINISH	Jamy		Sheet No.	x from x	

