

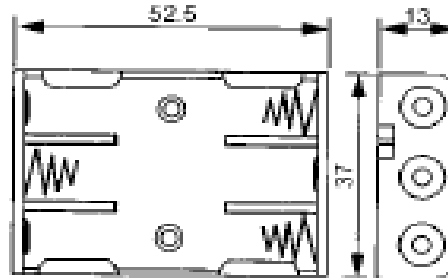


Technical Specification

Material: Polypropylene
 Contact Material: Nickel Plated overall
 Color: Black
 Connecting: like Order Code

 PCS of Cell 3 PCS of AAA-CELL

Technical Dimension



Ordering Information

Serie	Material	Wire Length	ROHS	Packing
-------	----------	-------------	------	---------

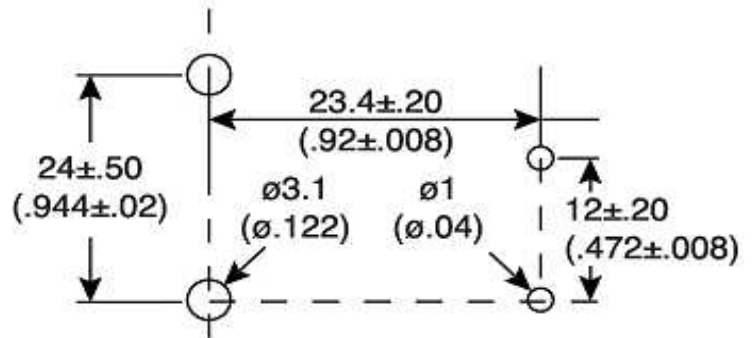
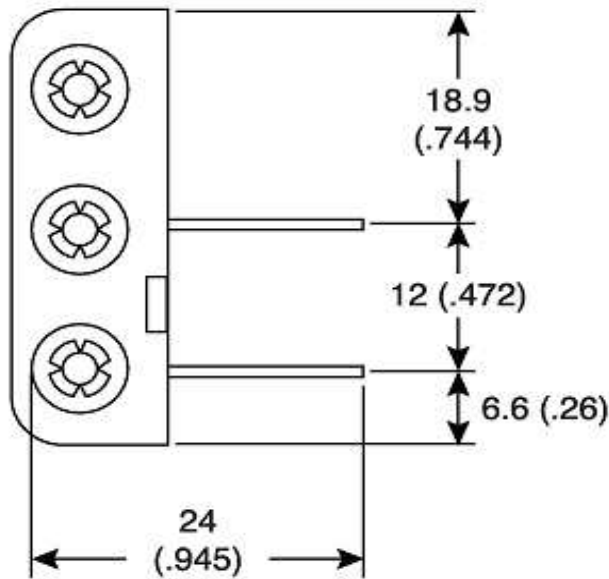
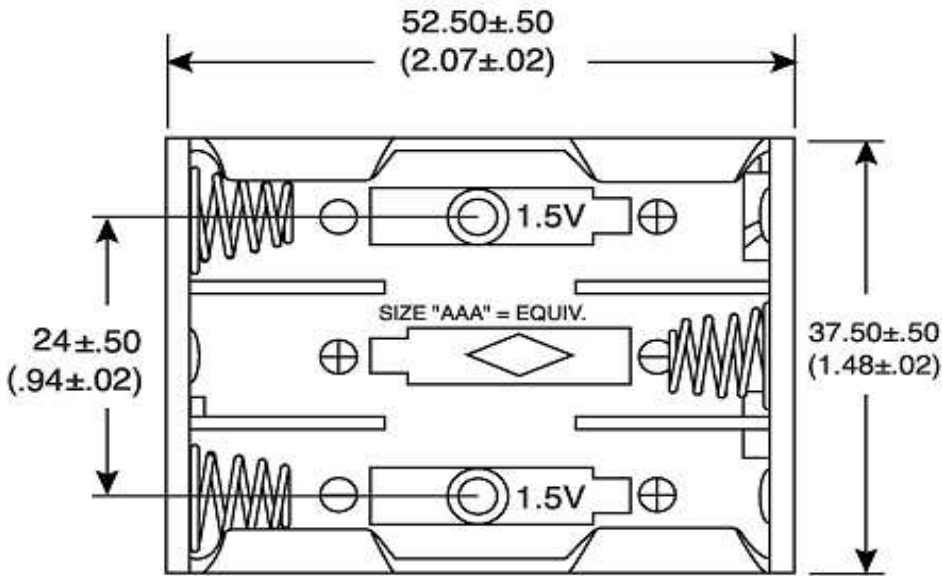
B29003	PO	151	R	BU
---------------	-----------	------------	----------	-----------

PO= Polypropylene	151= 150mm to open-end	R= ROHS conform	BU= Bulk-Ware
	B= with Solder Cup Connection		
	C= with 6Prong Snap		
	D= with Pin for PCB Solder		

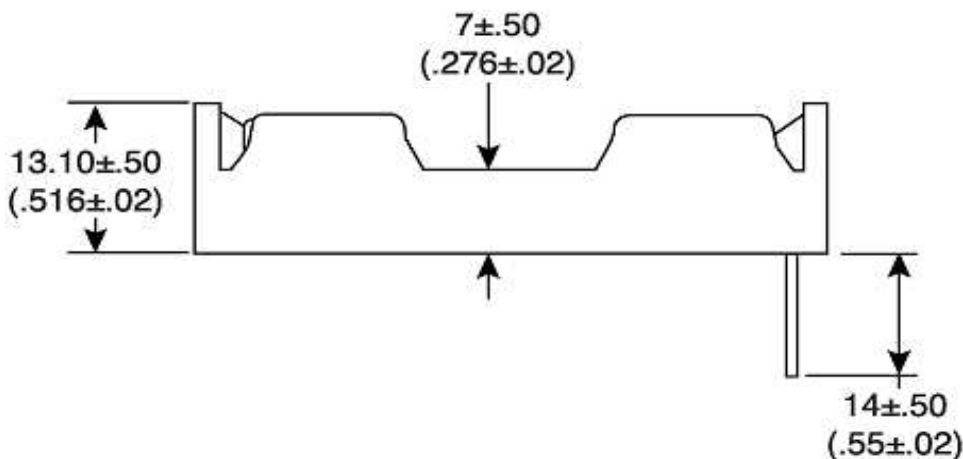
AAA-Cell Holder							
Part No.:	B29003						
Customer:							
DRW:	Jason	CHKD	Jules	MATL:	Wu	DATE	13.07.2015
APPD:	Join			FINISH	Shieh	Sheet	1 from 2



Technical Drawing PCB Version Order Code D



Pin PCB/Mounting Layout



AAA-Cell Holder	
Part No.:	B29003
Customer:	

DRW:	Jason	CHKD	Jules	MATL:	Wu	DATE	13.07.2015
APPD:	Join			FINISH	Shieh	Sheet	2 from 2