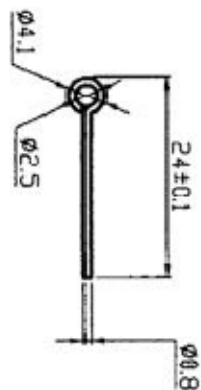
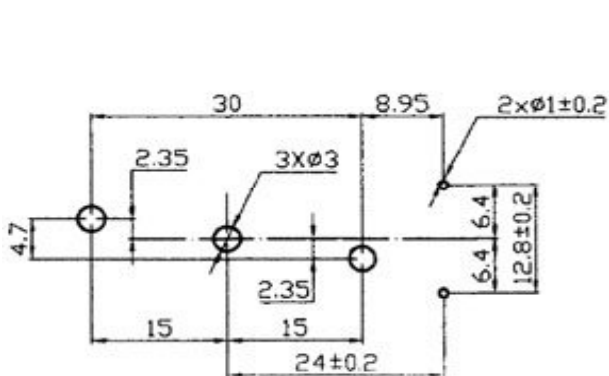
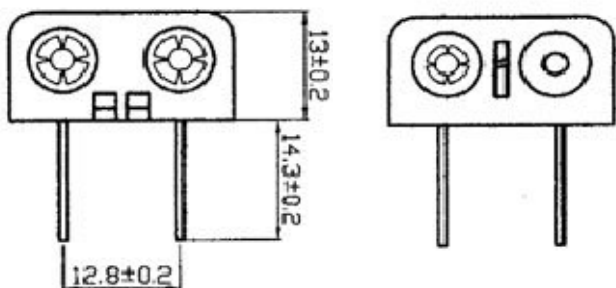
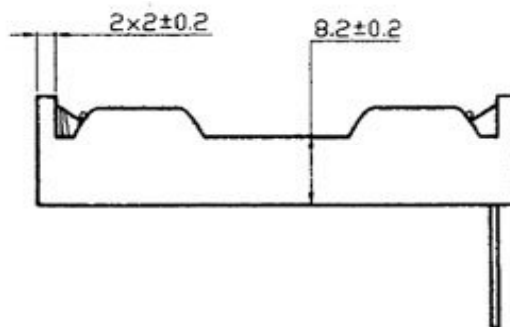
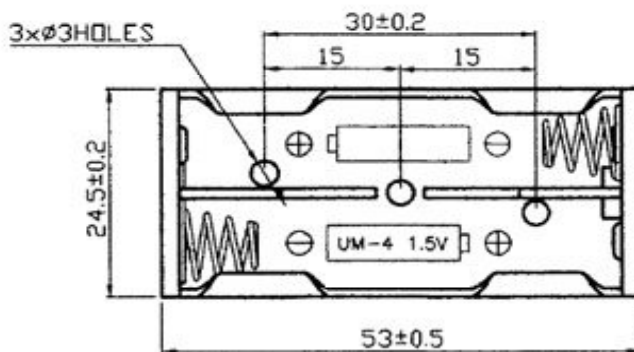




**Technical Specification**

Material: Polypropylene UL94-HB  
 Contact Material: Nickel Plated overall  
 Color: Black  
 Connecting: like Order Code  
  
 PCS of Cell 2 PCS of AAA-CELL

**Technical Dimension**



PCB Layout

PCB Pin

<b>AAA-Cell Holder</b>	
Part No.:	<b>B29002</b>
Customer:	

DRW:	Jason	CHKD	Jules	MATL:	Wu	DATE	12.09.2017
APPD:	Join			FINISH	Shieh	Sheet	1 from 2



**Ordering Information**

Serie	Material	Wire Length	ROHS	Packing
-------	----------	-------------	------	---------

<b>B29002</b>	<b>PO</b>	<b>151</b>	<b>R</b>	<b>BU</b>
---------------	-----------	------------	----------	-----------

<b>PO=</b> Polypropylene	<b>151=</b> 150mm to open-end	<b>R=</b> ROHS conform	<b>BU=</b> Bulk- Ware
	<b>B=</b> with Solder Cup Connection		
	<b>PC=</b> with PCB Solder Pin		

<b>AAA-Cell Holder</b>	
Part No.:	<b>B29002</b>
Customer:	

DRW:	Jason	CHKD	Jules	MATL:	Wu	DATE	12.09.2017
APPD:	Join			FINISH	Shieh	Sheet	2 from 2