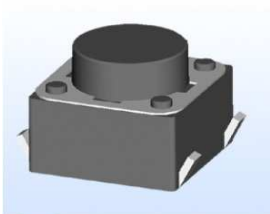


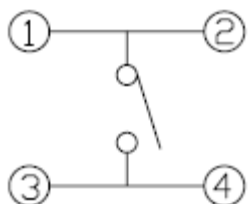
EDCON-COMPONENTS



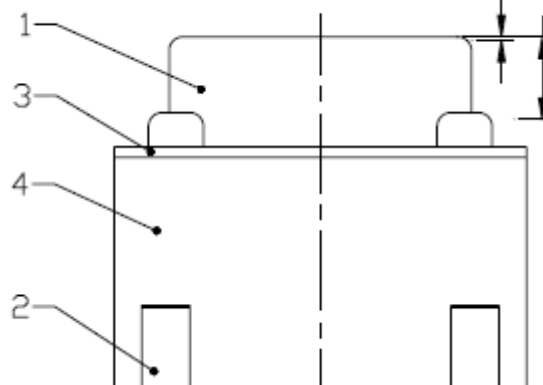
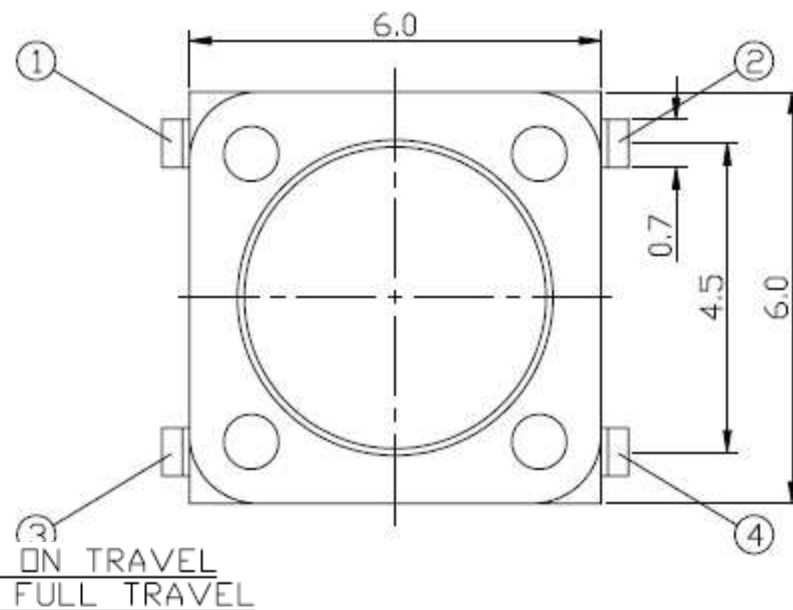
SPECIFICATION:

Current Rating:	50mA / 12VDC
Insulator Resistance:	100 Megaohm min.
Dielectric Withstanding:	AC 250V
Operating Temperature:	.-30°C to +85°C
Travel:	0,45mm ± 0,1mm
Insulator Material:	Nylon
Cover:	PBS-Strip
Contact Plating:	Stainless Steel Silver plated
Terminal:	Brass Silver plated
Contact Resistance:	100mΩ max.

Schematic



Drawing



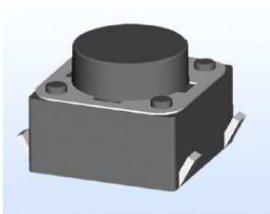
**SMT TACT SWITCH
6,0x6,0mm**

Part No.: **Q12136**

Customer:

DRW:	Jason	CHKD	Wilson	MATL:	Wilson	TOLERANCE	Mason	DATE	16.02.2015
APPD:	Schumi			FINISH	Jamy		Sheet No.		1 from 4

EDCON-COMPONENTS



Ordering Informations

Serie	Total height w. Body	Fill with 0	Operating Force	Polarisation Peg	Electrical life	Fill with 0	ROHS	Packing		
Q12136	051	X	251	N	104	X	R	BU		

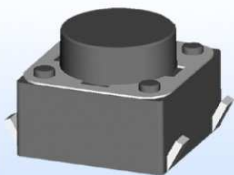
xxx= Look Knob Order Code L	X= no function	251= 250gr	N= without Peg	104= 100000 cycles	X= no function	N= non ROHS	BU= Bulk Ware
		331= 330gr				R= ROHS conform	
		101 = 100gr					
		161= 160gr					

**SMT TACT SWITCH
6,0x6,0mm**

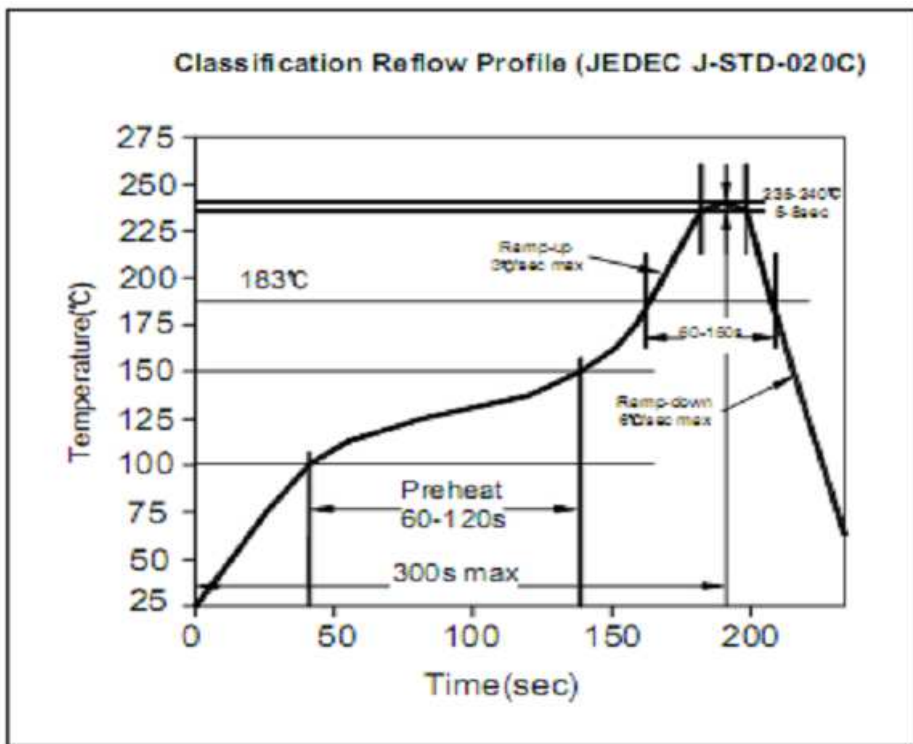
Part No.: **Q12136**

DRW:	Jason	CHKD	Wilson	MATL:	Wilson	TOLERANCE	Mason	DATE	16.02.2015
APPD:	Schumi			FINISH	Jamy		Sheet No.		3 from 4

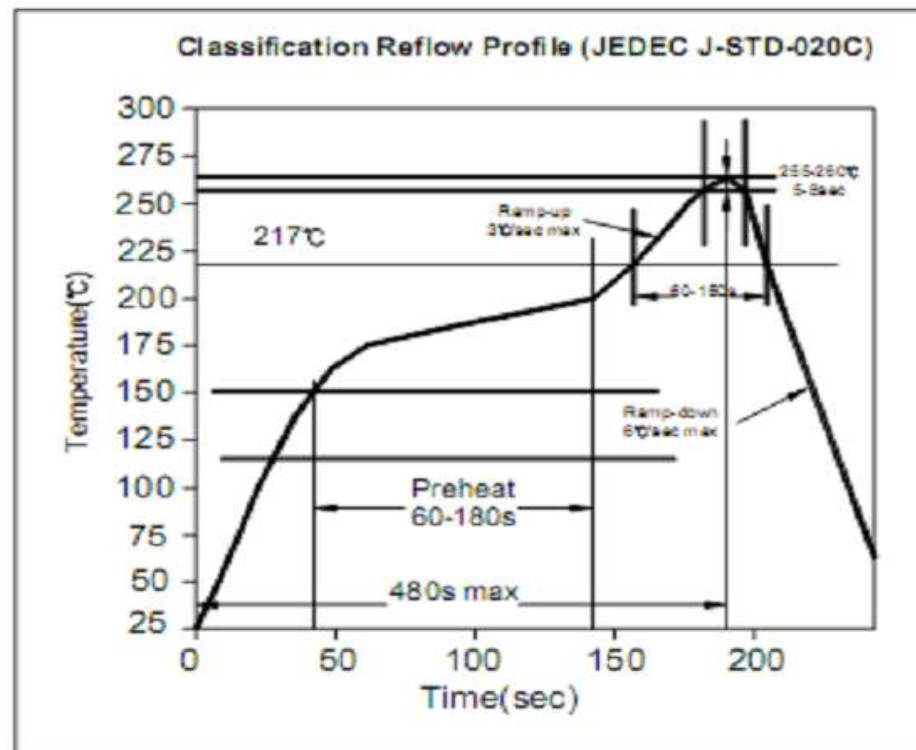
Customer:



Soldering Profile for Lead Soldering



Soldering Profile for Lead Free Soldering



**SMT TACT SWITCH
6,0x6,0mm**

Part No.: **Q12136**

DRW:	Jason	CHKD	Wilson	MATL:	Wilson	TOLERANCE	Mason	DATE	16.02.2015
APPD:	Schumi			FINISH	Jamy		Sheet No.	4 from 4	Customer: