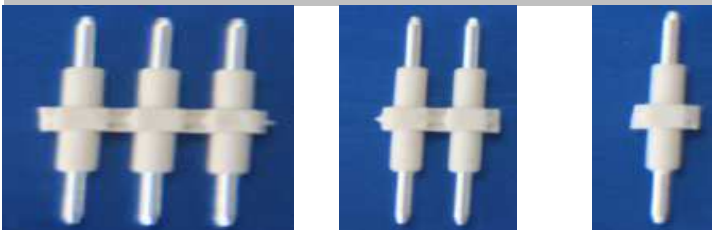


EDCON-COMPONENTS



Technical Discription

Drawing

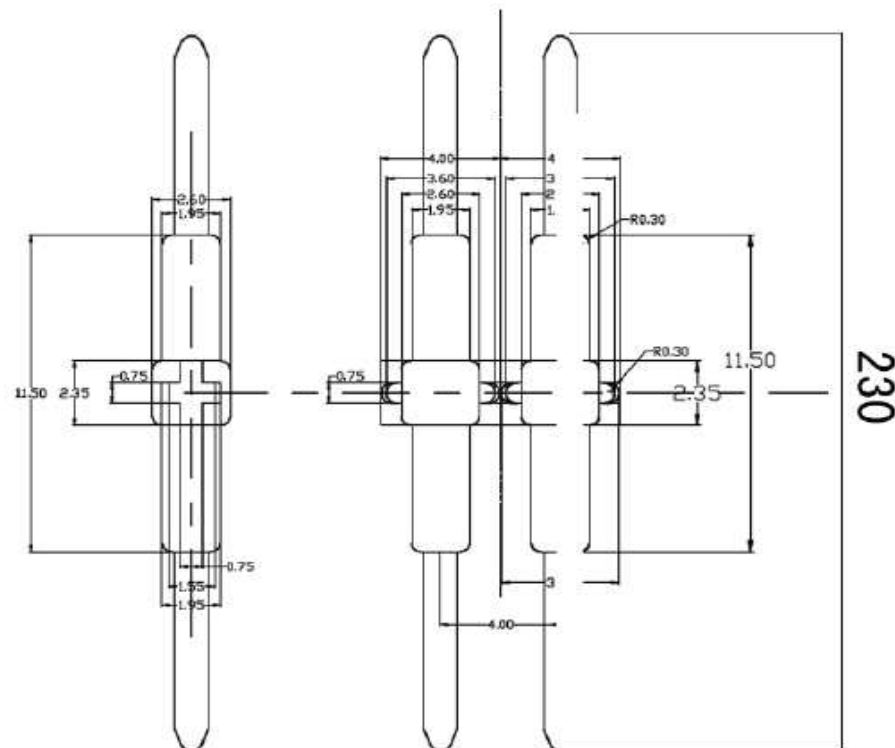
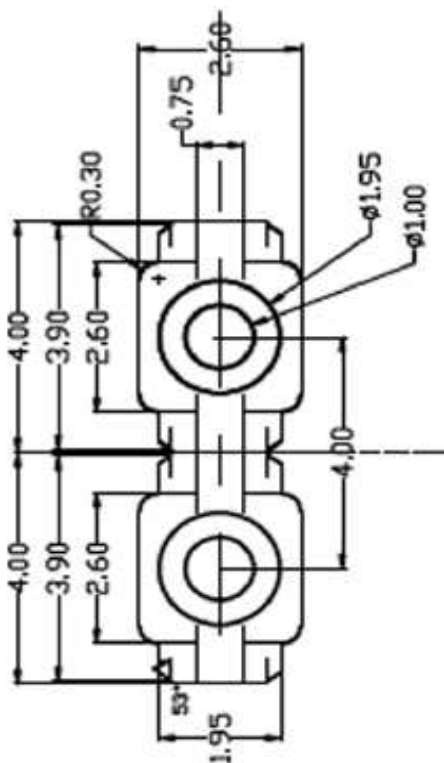
Approval: CE
 Rated Voltage: 300V
 Rated Current: 9A
 Contact Plating: tinned
 Pin Diameter: 1,0mm
 Isolation: 2,5KV

Ambient Temp. : -60°C ~ +105°C

Pitch: 4mm
 Poles: 1P, 2P, 3P
 Housing: PA46 / PA6T , UL94V-0
 Pin Header: Brass tin plated

Packing: Bulk-Ware

Material: UL 94 0 V



LED Connect Connector

Part No.: **TA11006**

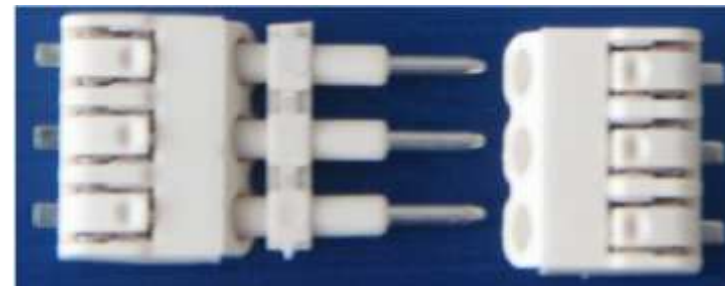
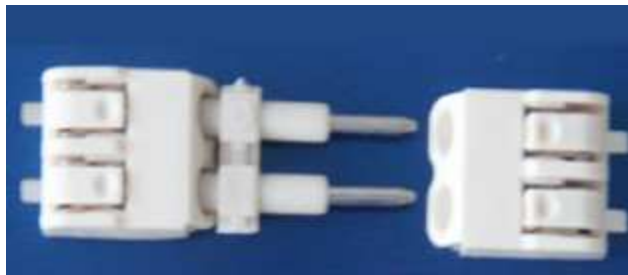
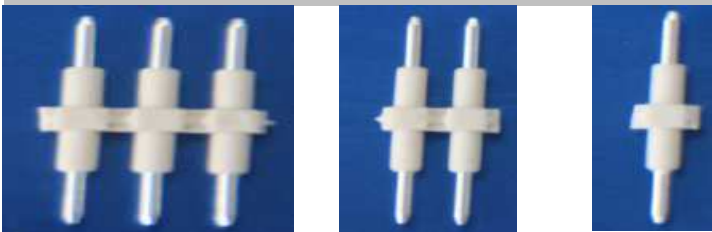
DRW:	Jason	CHKD	Wilson	MATL:	Wilson	TOLERANCE	Mason	DATE	09.06.2015
APPD:	Schumi			FINISH	Jamy		Sheet No.		1 from 2

Customer:

www.edcon-components.com

email: info@edcon-components.com

EDCON-COMPONENTS



Ordering Informations

Serie	No. Pos.	Color Code	Spezial Function	Spezial Function	ROHS	Packing				
-------	----------	------------	------------------	------------------	------	---------	--	--	--	--

TA11006	1	GY	0	0	R	BU				
----------------	----------	-----------	----------	----------	----------	-----------	--	--	--	--

1= One Pos.	GY= gray	0= No function	0= No function	R= ROHS Conform	BU= Bulk-Ware
2= Two Pos.					
3= Three Pos.					

LED Connect Connector	
Part No.:	TA11006
Customer:	

DRW:	Jason	CHKD	Wilson	MATL:	Wilson	TOLERANCE	Mason	DATE	09.06.2015
APPD:	Schumi			FINISH	Jamy		Sheet No.		2 from 2

www.edcon-components.com

email: info@edcon-components.com