

# Data Sheet

## Pluggable Terminal Block (Plug)

**Pitch: 5,00 mm**

**Serie: A14L113**

### Customer Information for special Item

**EDCON Customer : 0**

**Customer Version No. : 0**

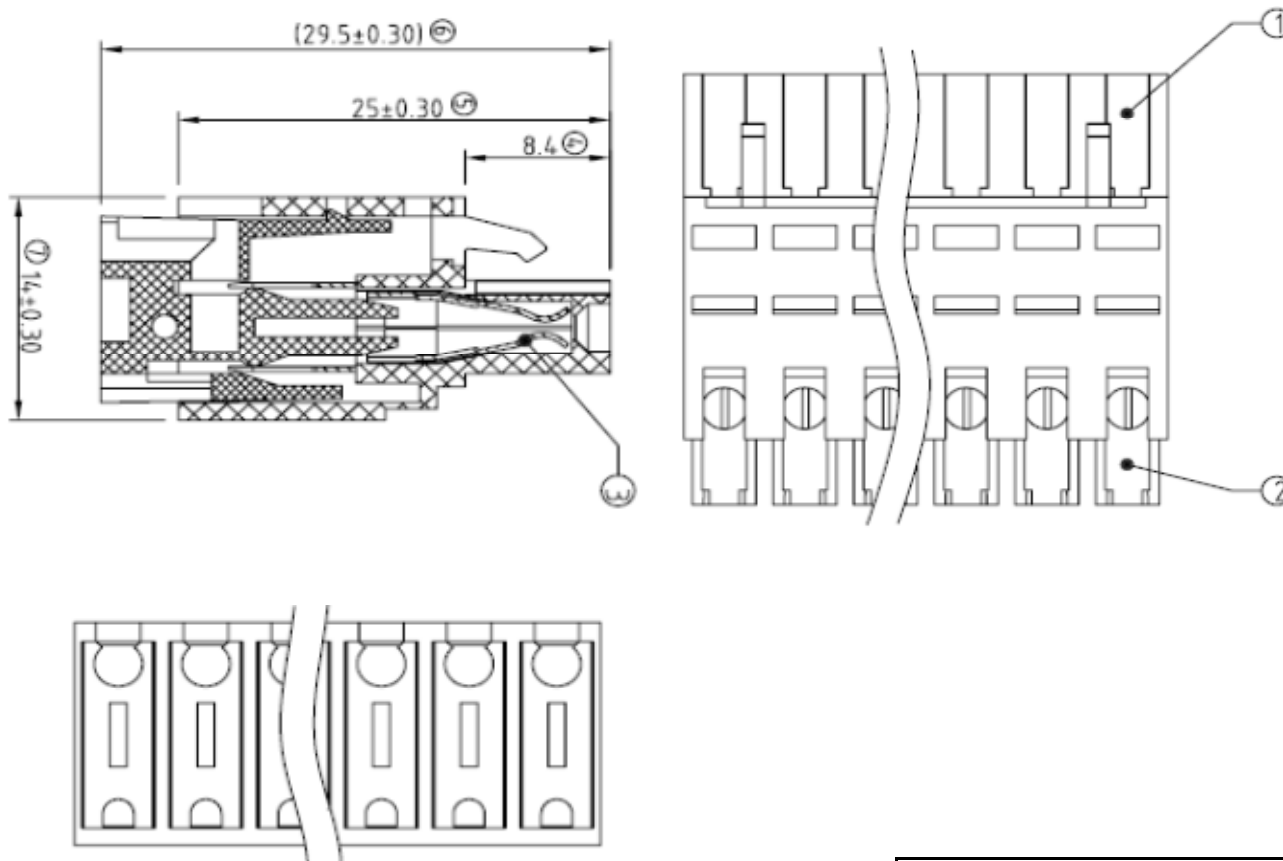
# EDCON-COMPONENTS



## Technical Discription

	UL	IEC
<b>Electrical</b>		
Rated Voltage	300Volt	
Rated Current	7	
Wire Range		
Wire Range AWG-Size	18 ~ 22	
Withstanding Voltage	1,6KV	
Insulation Resistance	5000MΩ / 1KV	
<b>Mechanical</b>		
Operating Temperature		-40°C ~ +115°C
Wire Strip Length		6-7mm
Screw Torque		
Screw Size		
<b>Dimensions</b>		
Pitch (mm)		5,00
Poles		2 ~ 24 Pos.
<b>Materials</b>		
Terminal Housing		Thermoplastic, UL94V-0
Terminal Lever		Thermoplastic, UL94V-0
Pin Header		Brass Tin Plated

## Drawing (Dimension in mm)



Unspecified Tolerance (mm)				
X.	X.x	X.xx	X.xxx	X.xxxx
0,35	0,25	0,2	0,15	

## Pluggable Terminal Block (Plug)

Part No.: **A14L113**

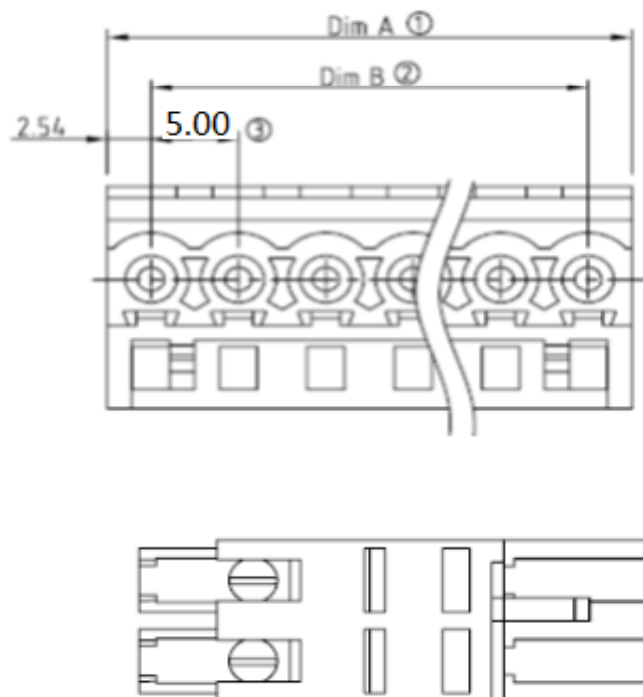
Customer:

DRW:	Jason	CHKD	Wilson	MATL:	Wilson	TOLERANCE	Mason	DATE	05.01.2018
APPD:	Schumi			FINISH	Jamy		Sheet No.		1 from 3

# EDCON-COMPONENTS



## Dimension Tolerance (mm)



No. of Pos.	A	Tol. A	B	Tol. B
02	10,00	± 0,10	5,00	± 0,10
03	15,00	± 0,10	10,00	± 0,10
04	20,00	± 0,10	15,00	± 0,10
05	25,00	± 0,10	20,00	± 0,10
06	30,00	± 0,10	25,00	± 0,10
07	35,00	± 0,10	30,00	± 0,20
08	40,00	± 0,10	35,00	± 0,20
09	45,00	± 0,20	40,00	± 0,20
10	50,00	± 0,20	45,00	± 0,20
11	55,00	± 0,20	50,00	± 0,20
12	60,00	± 0,20	55,00	± 0,20
13	65,00	± 0,20	60,00	± 0,25
14	70,00	± 0,20	65,00	± 0,25
15	75,00	± 0,20	70,00	± 0,25
16	80,00	± 0,20	75,00	± 0,25
17	85,00	± 0,30	80,00	± 0,25
18	90,00	± 0,30	85,00	± 0,25
19	95,00	± 0,30	90,00	± 0,30
20	100,00	± 0,30	95,00	± 0,30
21	105,00	± 0,30	100,00	± 0,30
22	110,00	± 0,30	105,00	± 0,30
23	115,00	± 0,30	110,00	± 0,30
24	120,00	± 0,30	115,00	± 0,30

### Pluggable Terminal Block (Plug)

Part No.: **A14L113**

Customer:

DRW:	Jason	CHKD	Wilson	MATL:	Wilson	TOLERANCE	Mason	DATE	05.01.2018
APPD:	Schumi			FINISH	Jamy		Sheet No.		2 from 3

# EDCON-COMPONENTS



## Ordering Informations

Serie	No. of Pos.	Body Color	Screw Type	Approval Code	ROHS	Packing	EDCON Cust. No.	Customer Version		
<b>A14L113</b>	<b>02</b>	<b>PG</b>	<b>C</b>	<b>N</b>	<b>R</b>	<b>B</b>				

Pitch  
5,00

02= Number of Pos. Standard 2 ~ 24Pos.	PG= Phoenix Green (Standard)		N= NON Approval	R= ROHS Conform	B= Bulk-Ware I= Individual Package	xxxxxx= Customer Number	xxx= Customer Version ??(Printing)
	WH= White		A= UL /UR Approval Please consult EDCON for available	N= NON ROHS Conform			
	GN= Green		B= VDE Approval Please consult EDCON for available	C= TÜV Approval Please consult EDCON for available	C= Screwless Type		
	GY= Gray						
	LG= Light Gray						
	OR= Orange						
	BL= Blue						
BK= Black							

Pluggable Terminal Block (Plug)	
Part No.:	<b>A14L113</b>
Customer:	

DRW:	Jason	CHKD	Wilson	MATL:	Wilson	TOLERANCE	Mason	DATE	05.01.2018
APPD:	Schumi			FINISH	Jamy		Sheet No.		3 from 3