

EDCON-COMPONENTS

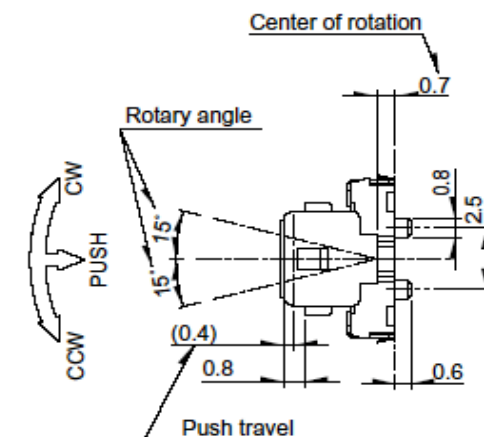
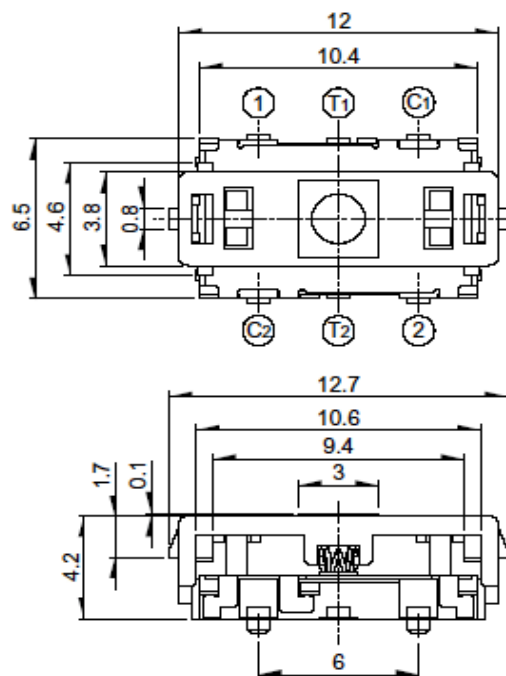


SPECIFICATION:

Current Rating:
 Insulator Resistance:
 Dielectric Withstanding:
 Operating Temperature:
 Contact Material:
 Insulator Material:
 Standard:
 Contact Plating:
 Standard:

Drawing

Unit : mm



Out put code

Terminal	1	2	C ₁	C ₂	T ₁	T ₂
Direction						
CW	○		○			
CCW		○		○		
PUSH					○	○

Multifunction Switch SMT

Part No.: **Q43009**

Customer:

DRW:	Jason	CHKD	Wilson	MATL:	Wilson	TOLERANCE	Mason	DATE	01.08.2014
APPD:	Schumi			FINISH	Jamy		Sheet No.		1 from 2

www.edcon-components.com

email: info@edcon-components.com

EDCON-COMPONENTS



Ordering Informations

Serie	Fill with 0	Fill with 0	Fill with 0	Fill with 0	Fill with 0	Fill with 0	ROHS	Packing		
Q43009	X	X	X	X	X	X	R	TR		

							N= non ROHS	BU= Bulk Ware
							R= ROHS conform	
								TR = Tape/Reel Packing

Multifunction Switch SMT
Part No.: Q43009
Customer:

DRW:	Jason	CHKD	Wilson	MATL:	Wilson	TOLERANCE	Mason	DATE	01.08.2014
APPD:	Schumi			FINISH	Jamy		Sheet No.		2 from 2