

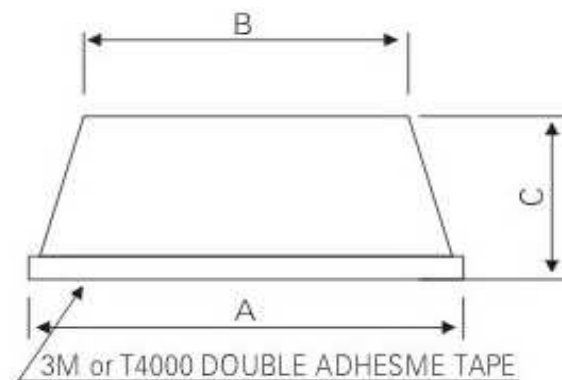
# EDCON-COMPONENTS



## Technical Discription

Material: Nylon 66  
 Flame Class: 94V-2  
 Color: Black

## Drawing



### Dimension (mm)

Order Code	A	B	C	Packing
A01	12,0	11,0	4,0	1000PCS
A02	12,5	11,0	5,2	1000PCS
A03	13,0	13,0	4,5	1000PCS
A04	19,0	19,0	4,0	1000PCS
A05	19,0	19,0	7,0	1000PCS
A06	33,0	33,0	4,5	1000PCS

### Feet with Adhesive

Part No.: **N29008**

Customer:

DRW:	Jason	CHKD	Wilson	MATL:	Wilson	TOLERANCE	Mason	DATE	11.07.2014
APPD:	Schumi			FINISH	Jamy		Sheet No.		1 from 2

# EDCON-COMPONENTS



## Ordering Informations

### Terminal

Serie	Size Code	Color of Body	Body Material	special function	ROHS	Packing
N29008	A01	BK	NY	X	R	BU
A01=Size Code Table		BK= Black	NY= Nylon 66	X= No special	R= ROHS Conform	BU= Bulk-Ware
					N= NON ROHS Conform	

**Feet with Adhesive**

Part No.: **N29008**

DRW:	Jason	CHKD	Wilson	MATL:	Wilson	TOLERANCE	Mason	DATE	11.07.2014	Customer:
APPD:	Schumi			FINISH	Jamy		Sheet No.	2 from 2		