

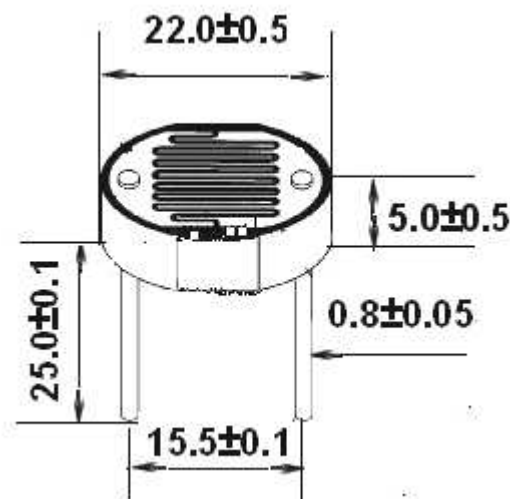
EDCON-COMPONENTS



Technical Discription

Dimension: Diameter 12,0mm
Resistance Range: 5 ~ 100K Ohm

Drawing



Range Code	Size and Type	Max. Voltage (VDC)	Max. Power Consumption	Environtal Temperature Range	Spectrum peak value	Light Resistance	Dark Resistance	R100/10	Respontime		Illuminance Resistance Charc
									Increase	Decrease	
A	20510	500 VDC	500 mW	.-30°C ~ +70°C	560nm	5~ 10KΩ	1 MΩ	0,6	30	30	3
B	20515	500 VDC	500 mW	.-30°C ~ +70°C	560nm	10~ 30KΩ	3 MΩ	0,6	30	30	3
C	20525	500 VDC	500 mW	.-30°C ~ +70°C	560nm	30~ 50KΩ	5 MΩ	0,7	30	30	4
D	20558	500 VDC	500 mW	.-30°C ~ +70°C	560nm	50~ 100KΩ	8 MΩ	0,8	30	30	6

**LDR-Resistor Diameter
22mm**

Part No.:

DRW:	Jason	CHKD	Wilson	MATL:	Wilson	TOLERANCE	Mason	DATE	10.07.2014	Customer:
APPD:	Schumi			FINISH	Jamy		Sheet No.	1 from 2		

EDCON-COMPONENTS



Ordering Informations

Terminal

Serie	Range Code	special function	special function	ROHS	Packing
X32009	A	0	0	R	BU

A= look Table	0= no special function avail	0= no special function avail	R= ROHS Conform	BU= Bulk-Ware
			N= NON ROHS Conform	

**LDR-Resistor Diameter
22mm**

Part No.: **X32009**

DRW:	Jason	CHKD	Wilson	MATL:	Wilson	TOLERANCE	Mason	DATE	10.07.2014	Customer:
APPD:	Schumi			FINISH	Jamy		Sheet No.	2 from 2		