

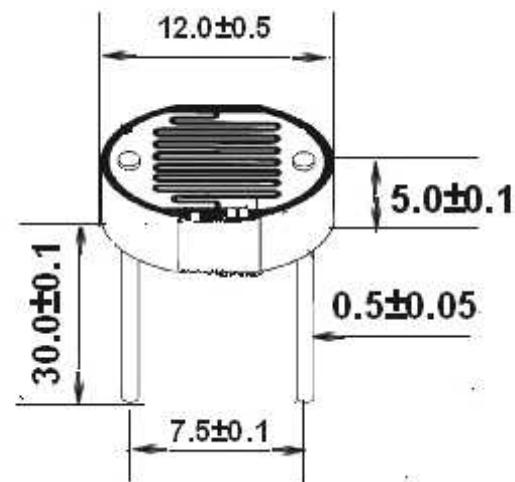
EDCON-COMPONENTS



Technical Discription

Dimension: Diameter 12,0mm
Resistance Range: 5 ~ 100K Ohm

Drawing



| Range Code | Size and Type | Max. Voltage (VDC) | Max. Power Consumption | Environtal Temperature Range | Spectrum peak value | Light Resistance | Dark Resistance | R100/10 | Respontime | | Illuminance Resistance Charc |
|------------|---------------|--------------------|------------------------|------------------------------|---------------------|------------------|-----------------|---------|------------|----------|------------------------------|
| | | | | | | | | | Increase | Decrease | |
| A | 12510 | 250 VDC | 200 mW | .-30°C ~ +70°C | 560nm | 5~ 10KΩ | 1 MΩ | 0,6 | 30 | 30 | 3 |
| B | 12515 | 250 VDC | 200 mW | .-30°C ~ +70°C | 560nm | 10~ 30KΩ | 3 MΩ | 0,6 | 30 | 30 | 3 |
| C | 12525 | 250 VDC | 200 mW | .-30°C ~ +70°C | 560nm | 30~ 50KΩ | 5 MΩ | 0,7 | 30 | 30 | 4 |
| D | 12558 | 250 VDC | 200 mW | .-30°C ~ +70°C | 560nm | 50~ 100KΩ | 8 MΩ | 0,8 | 30 | 30 | 6 |

**LDR-Resistor Diameter
12mm**

Part No.:

| | | | | | | | | | | |
|-------|--------|------|--------|--------|--------|-----------|-----------|----------|------------|-----------|
| DRW: | Jason | CHKD | Wilson | MATL: | Wilson | TOLERANCE | Mason | DATE | 10.07.2014 | Customer: |
| APPD: | Schumi | | | FINISH | Jamy | | Sheet No. | 1 from 2 | | |

EDCON-COMPONENTS



Ordering Informations

Terminal

| Serie | Range Code | special function | special function | ROHS | Packing | |
|-------|------------|------------------|------------------|------|---------|--|
|-------|------------|------------------|------------------|------|---------|--|

| | | | | | | |
|--------|---|---|---|---|----|--|
| X32008 | A | 0 | 0 | R | BU | |
|--------|---|---|---|---|----|--|

| | | | | |
|---------------|------------------------------|------------------------------|---------------------|---------------|
| A= look Table | 0= no special function avail | 0= no special function avail | R= ROHS Conform | BU= Bulk-Ware |
| | | | N= NON ROHS Conform | |

**LDR-Resistor Diameter
12mm**

Part No.: **X32008**

| | | | | | | | | | | |
|-------|--------|------|--------|--------|--------|-----------|-----------|----------|------------|-----------|
| DRW: | Jason | CHKD | Wilson | MATL: | Wilson | TOLERANCE | Mason | DATE | 10.07.2014 | Customer: |
| APPD: | Schumi | | | FINISH | Jamy | | Sheet No. | 2 from 2 | | |