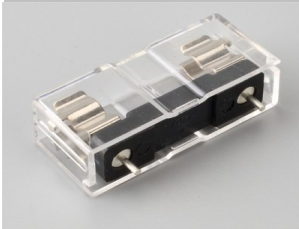


EDCON-COMPONENTS



Technical Discription

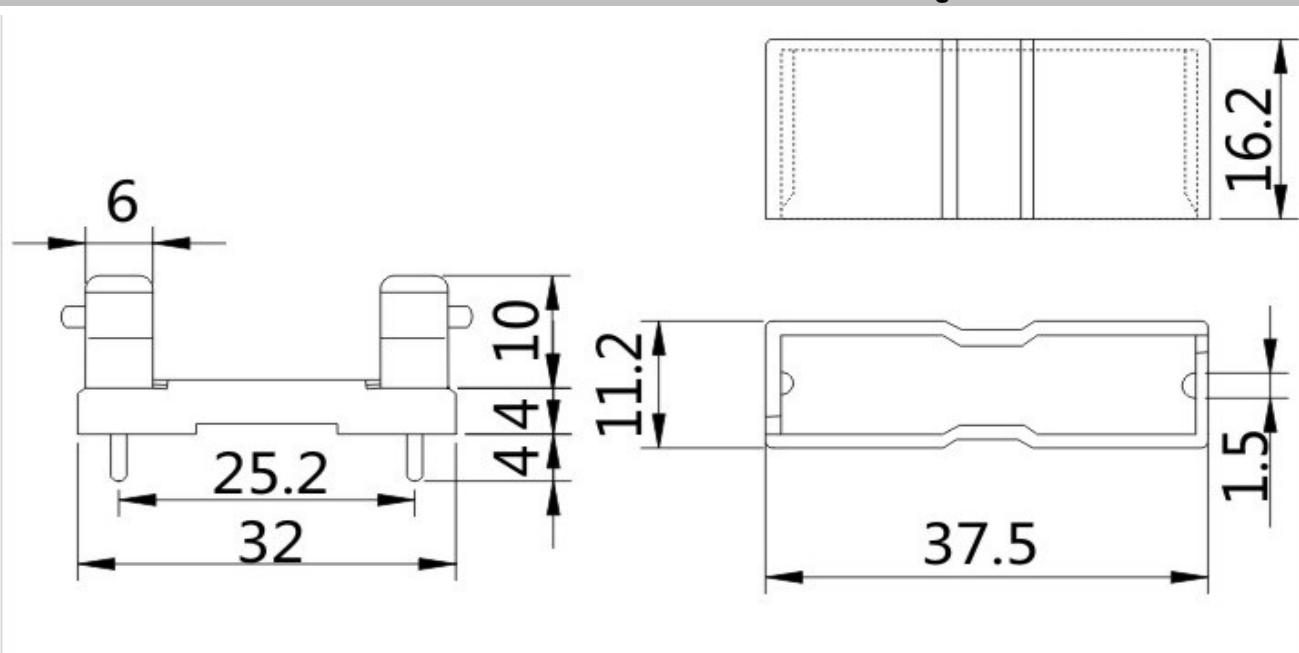
Fuse-Type: Glass / Ceramic
 Fuse: 6,3x32mm

Rated Current: max ~ 10A
 Rated Voltage: 250VAC

Material Cap: P.B.T
 Soldering Temperature: 240°C

Approval:

Drawing



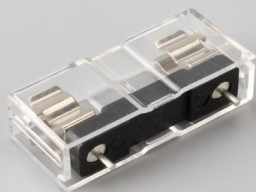
THT PCB Fuse Holder 6,3x32mm	
Part No.:	R53108
Customer:	

DRW:	Jason	CHKD:	Wilson	MATL:	Wilson	TOLERANCE:	Mason	DATE:	10.03.2026
APPD:	Schumi	FINISH:	Jamy				Sheet No.		1 from 3

www.edcon-components.com

email: info@edcon-components.com

EDCON-COMPONENTS



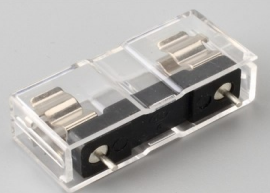
Ordering Informations

Serie	Spezial Function	Spezial Function	ROHS	Packing						
R53108	0	0	R	BU						

0 = No function	0 = No function	R = ROHS Conform	BU = Bulk-Ware

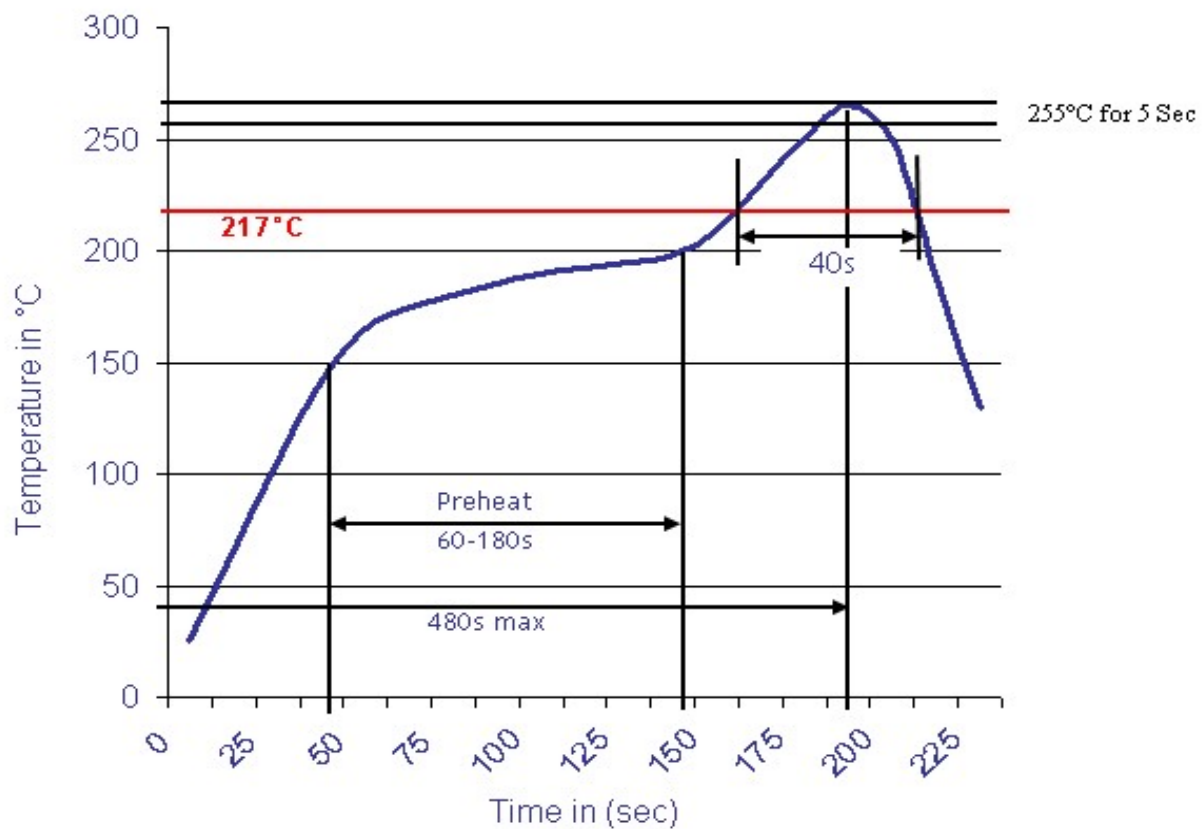
THT PCB Fuse Holder 6,3x32mm	
Part No.:	R53108
Customer:	

DRW:	Jason	CHKD	Wilson	MATL:	Wilson	TOLERANCE	Mason	DATE	10.03.2026
APPD:	Schumi			FINISH	Jamy		Sheet No.		2 from 3



Soldering Profile Curve

Classification Reflow Profile (JEDEC J-STD-020C)



THT PCB Fuse Holder 6,3x32mm	
Part No.:	R53108
Customer:	

DRW:	Jason	CHKD:	Wilson	MATL:	Wilson	TOLERANCE:	Mason	DATE:	10.03.2026
APPD:	Schumi			FINISH:	Jamy		Sheet No.		3 from 3