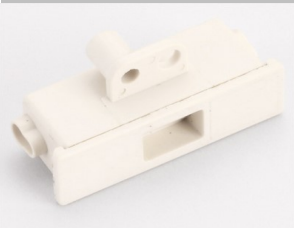
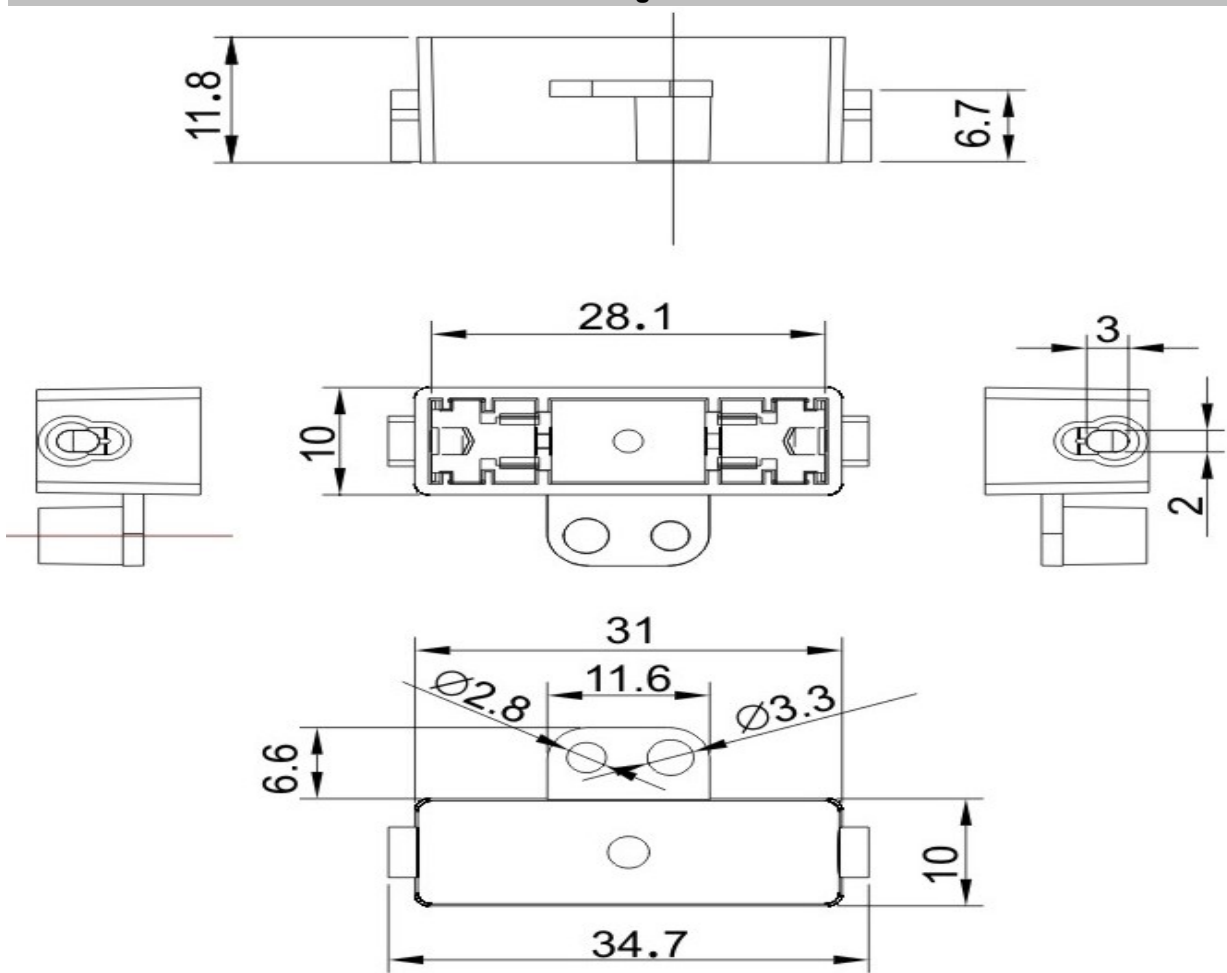


# EDCON-COMPONENTS



## Drawing



## Technical Description

Fuse-Type: Glass / Ceramic  
 Fuse: 5x20mm  
 Rated Current: max ~ 10A  
 Rated Voltage: 250VAC

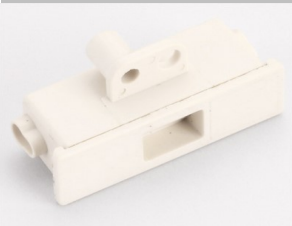
Material Cap:  
 Cap:  
 Material Terminal: Brass tin plated  
 Material: PA66

Approval:

<b>Wire Fuse Holder for Fuse 5,0x20mm</b>	
Part No.:	<b>R53105</b>
Customer:	

DRW:	Jason	CHKD:	Wilson	MATL:	Wilson	TOLERANCE:	Mason	DATE:	10.03.2026
APPD:	Schumi			FINISH:	Jamy			Sheet No.:	1 from 3

# EDCON-COMPONENTS



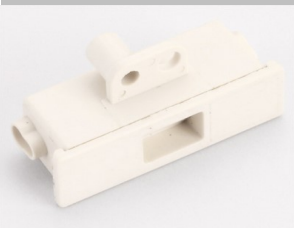
## Ordering Informations

Serie	Spezial Function	Spezial Function	ROHS	Packing						
<b>R53105</b>	<b>0</b>	<b>0</b>	<b>R</b>	<b>BU</b>						

<b>0</b> = No function	<b>0</b> = No function	<b>R</b> = ROHS Conform	<b>BU</b> = Bulk-Ware

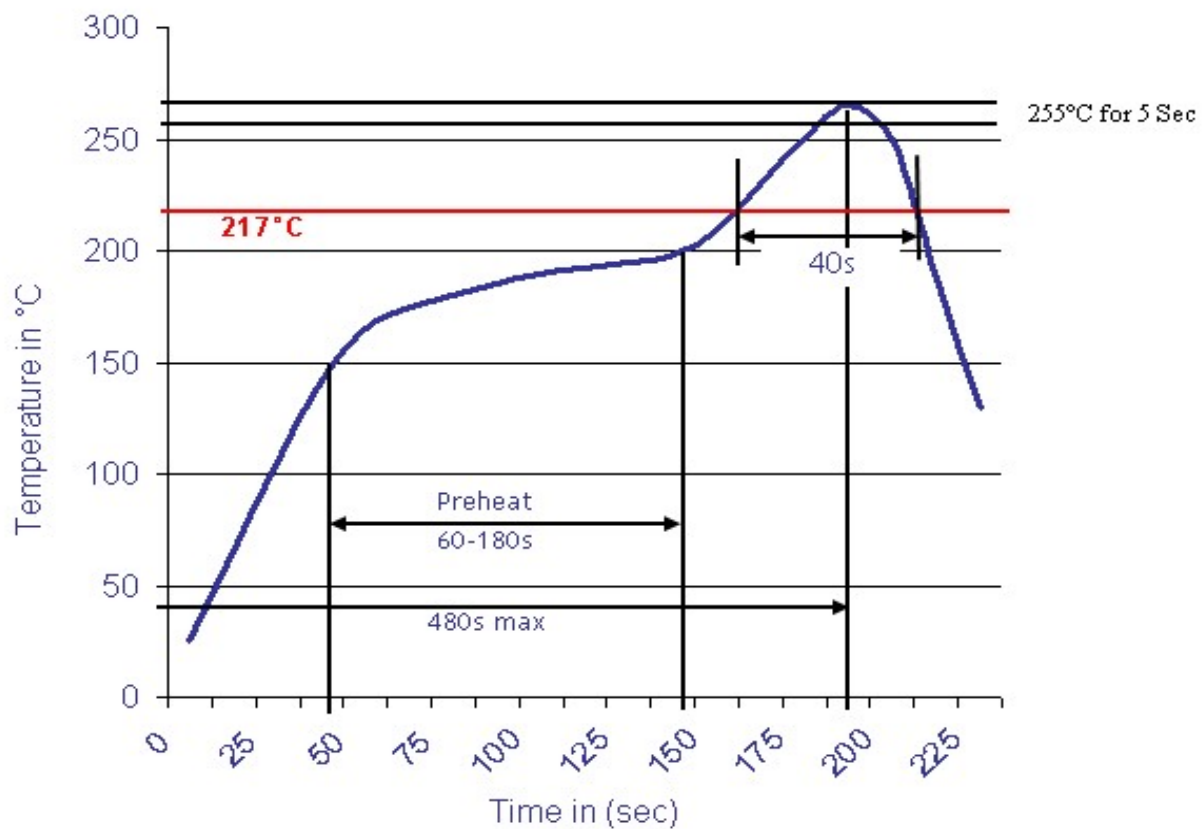
<b>Wire Fuse Holder for Fuse 5,0x20mm</b>
Part No.: <b>R53105</b>
Customer:

DRW:	Jason	CHKD	Wilson	MATL:	Wilson	TOLERANCE	Mason	DATE	10.03.2026
APPD:	Schumi			FINISH	Jamy		Sheet No.	2 from 3	



Soldering Profile Curve

Classification Reflow Profile (JEDEC J-STD-020C)



<b>Wire Fuse Holder for Fuse 5,0x20mm</b>	
Part No.:	<b>R53105</b>
Customer:	

DRW:	Jason	CHKD	Wilson	MATL:	Wilson	TOLERANCE	Mason	DATE	10.03.2026
APPD:	Schumi			FINISH	Jamy		Sheet No.	3 from 3	