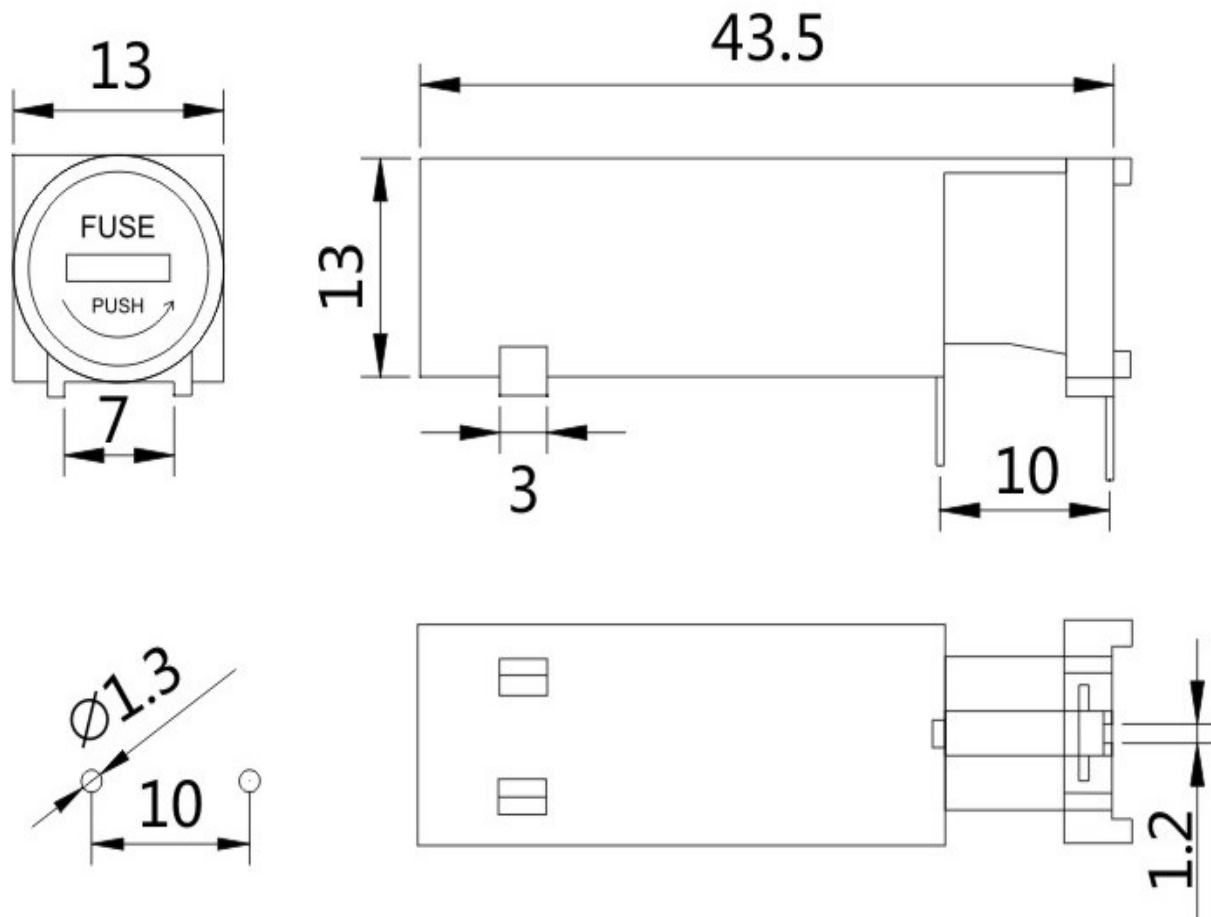


EDCON-COMPONENTS



Drawing

Technical Description



Fuse-Type: Glass / Ceramic
 Fuse: 6,3x30mm
 Rated Current: max ~ 16A
 Rated Voltage: 250VAC

Material Cap: P.B.T
 Cap: Bajonet Type Cap
 Material Terminal: Brass tin plated
 Material: P.B.T

Approval:

PCB Fuse Holder for Fuse 6,3x30mm	
Part No.:	R53101
Customer:	

DRW:	Jason	CHKD:	Wilson	MATL:	Wilson	TOLERANCE:	Mason	DATE:	10.03.2026
APPD:	Schumi			FINISH:	Jamy			Sheet No.:	1 from 3

www.edcon-components.com

email: info@edcon-components.com

EDCON-COMPONENTS



Ordering Informations

Serie	Spezial Function	Spezial Function	ROHS	Packing						
R53101	0	0	R	BU						

0 = No function	0 = No function	R = ROHS Conform	BU = Bulk-Ware

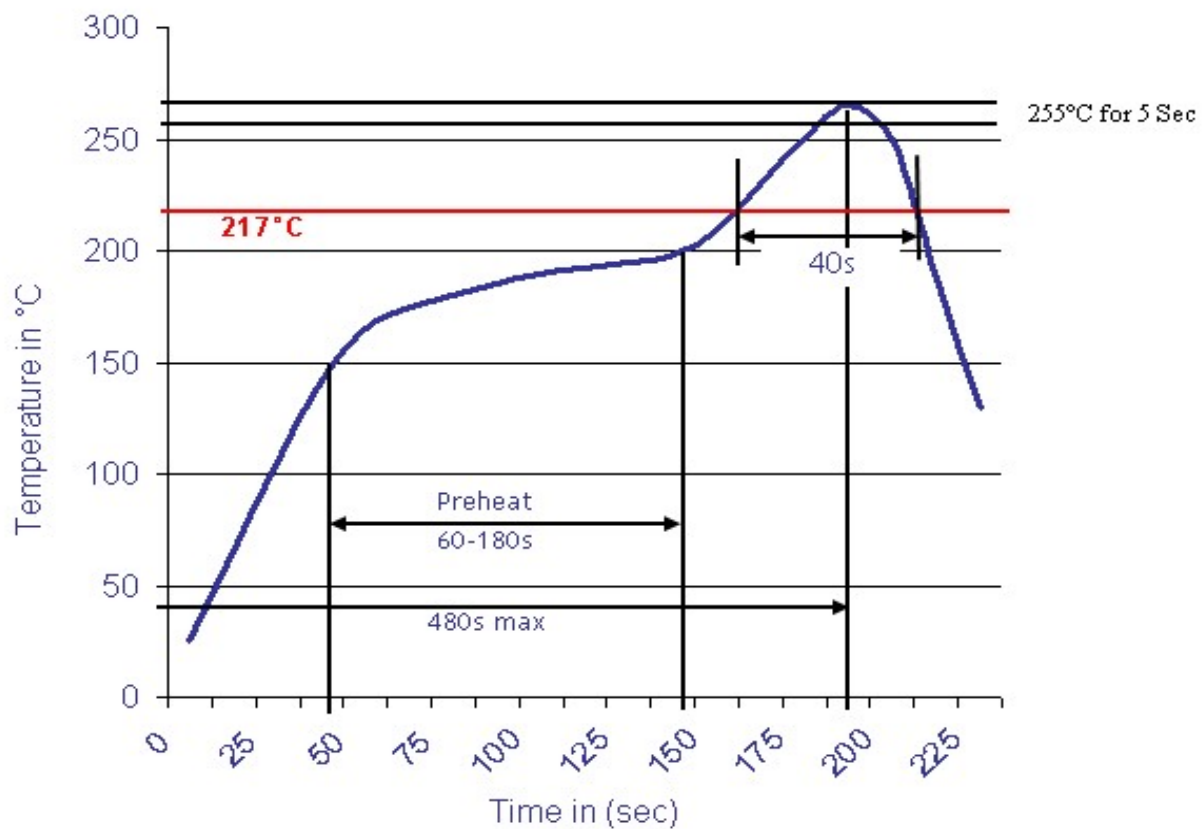
PCB Fuse Holder for Fuse 6,3x30mm
Part No.: R53101
Customer:

DRW:	Jason	CHKD	Wilson	MATL:	Wilson	TOLERANCE	Mason	DATE	10.03.2026
APPD:	Schumi			FINISH	Jamy		Sheet No.	2 from 3	



Soldering Profile Curve

Classification Reflow Profile (JEDEC J-STD-020C)



PCB Fuse Holder for Fuse 6,3x30mm	
Part No.:	R53101
Customer:	

DRW:	Jason	CHKD:	Wilson	MATL:	Wilson	TOLERANCE:	Mason	DATE:	10.03.2026
APPD:	Schumi			FINISH:	Jamy		Sheet No.		3 from 3