

EDCON-COMPONENTS



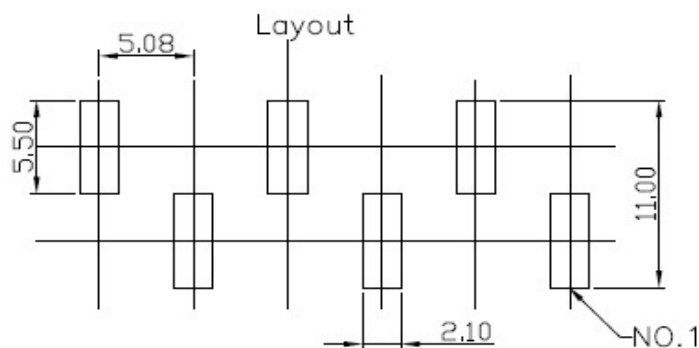
Contact



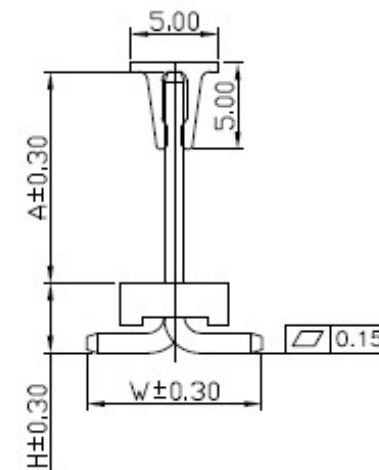
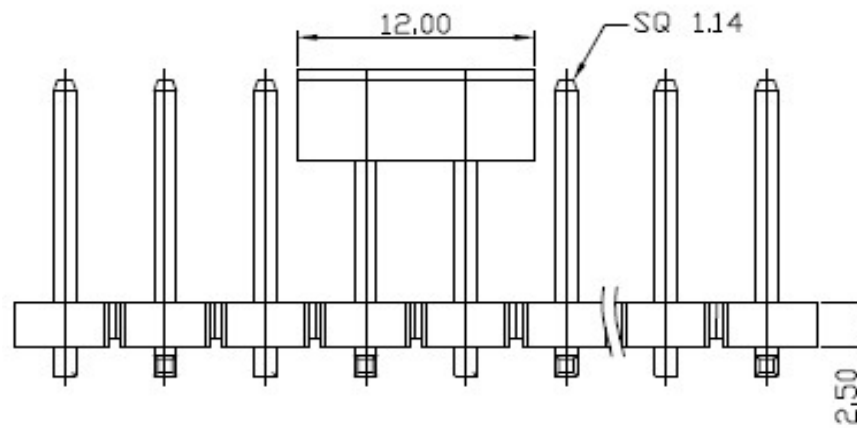
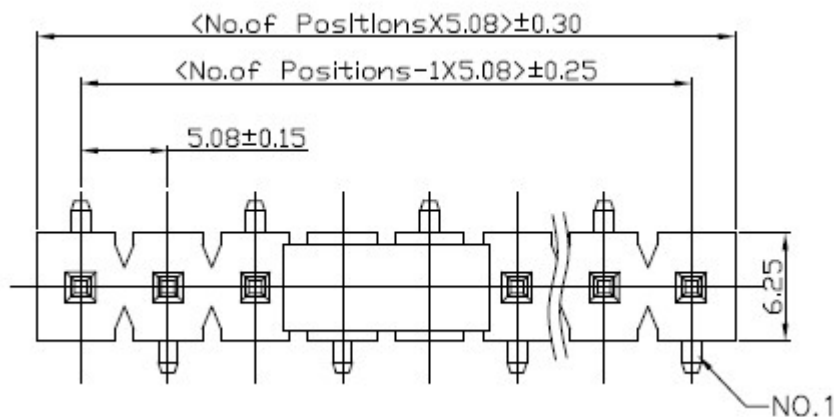
Specifications

Current Rating:	7,9 Ampere
Insulator Resistance:	1000 Megaohm min.
Contact Resistance	20m Ohm max.
Dielectric Withstanding:	AC 1000V
Operating Temperature:	.-40°C to +105°C
Contact Material:	Brass
Insulator Material:	Polyester / LCP or Equivalent Mat
Contact:	Three Finger Power Contact
Contact Plating:	Tin, Gold or Selective Plated
Standard:	Gold Flash / Tin plated

P.C.B Layout



Drawing



**SMD Pin Header Pitch
5,08mm**

Part No.: **T51G1004-**

Customer:

DRW:	Jason	CHKD	Wilson	MATL:	Wilson	TOLERANCE	Mason	DATE	26.03.2024
APPD:	Schumi			FINISH	Jamy			Sheet No.	1 from 4

www.edcon-components.com

email: info@edcon-components.com

EDCON-COMPONENTS



Contact



Pin Code length table free configuration

Order Code	Dimension (mm)		
	A	H	W
A01	6,00	4,00	10,00
A02	10,72	5,08	10,00
A03	xx,x	xx,x	xx,x
A04			
A05			
A06			
A07			
A08			
A09			
A10			
A11			
A12			
A13			
A14			
A15			
A16			
A17			
A18			
A19			
A20			
A21			
A22			

Order Code	Dimension (mm)		
	A	B	H
A23			
A24			
A25			
A26			
A27			
A28			
A29			
A30			
A31			
A32			
A33			
A34			
A35			
A36			
A37			
A38			
A39			
A40			
A41			
A42			
A43			
A44			

Ambient Temp	Current Rating	
	2Pin	4Pin
20°C	25A	22A
40°C	24A	19A
60°C	17A	15,5A
75°C	14,40	12,7A
105°C	7,90	7,90

SMD Pin Header Pitch 5,08mm	
Part No.:	T51G1004-
Customer:	

DRW:	Jason	CHKD	Wilson	MATL:	Wilson	TOLERANCE	Mason	DATE	26.03.2024
APPD:	Schumi			FINISH	Jamy		Sheet No.		2 from 4

EDCON-COMPONENTS



Contact



Ordering Informations

Serie	No. of Pos.	Construction	Contact Plating	Material	Special function	Pin Length Code	ROHS	Packing		
T51G1004-	XX	SS	G0	LC	0	A01	R	BU		

XX = Total Pin 02 ~ 24	SS = Straight SMD	G0 = Gold Flash (Standard)	PB = P.B.T	0 = no function	siehe Table No. 1	N =NO ROHS conform	BU = Bulk (Standard)
		TN = Tin Plated	NY = Nylon-6T			R = ROHS conform	TU = Tube w/o Cap
		GA = 10µ Gold Plating	LC = LCP				TC = Tube w. pic and Place Cap
		GB = 15µ Gold Plating					TY = Tray packing w/o Cap
		GC = 20µ Gold Plating					TR = Tape/Reel w. pic and Place Cap
		S0 = Selectiv Plating Gold Flash / Tin					
		T0 = Tin plated Special					

**SMD Pin Header Pitch
5,08mm**

Part No.: **T51G1004-**

DRW:	Jason	CHKD	Wilson	MATL:	Wilson	TOLERANCE	Mason	DATE	26.03.2024
APPD:	Schumi			FINISH	Jamy		Sheet No.		3 from 4

Customer:

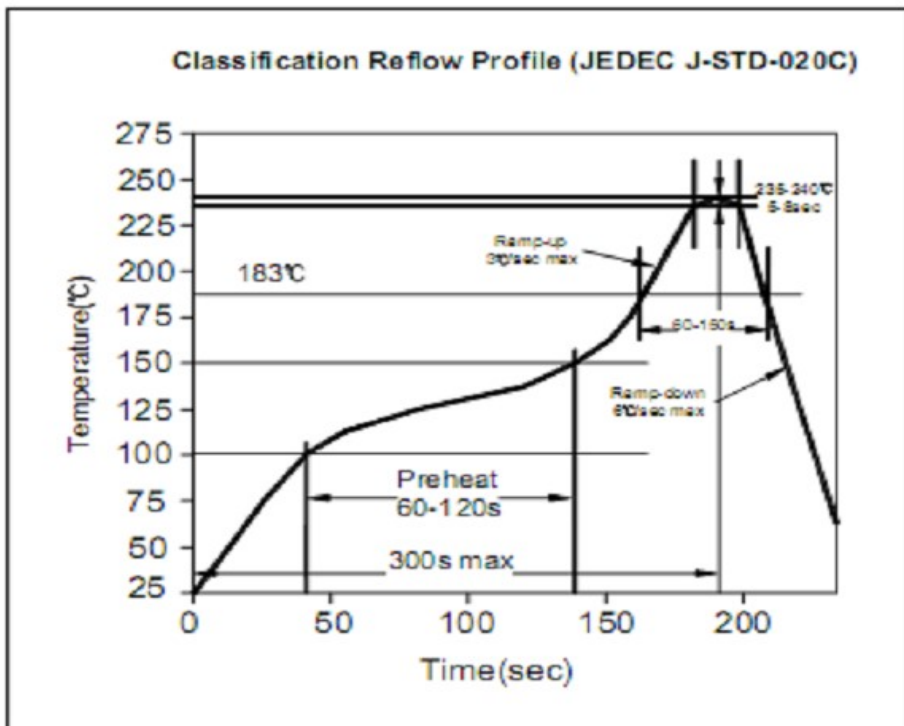
EDCON-COMPONENTS



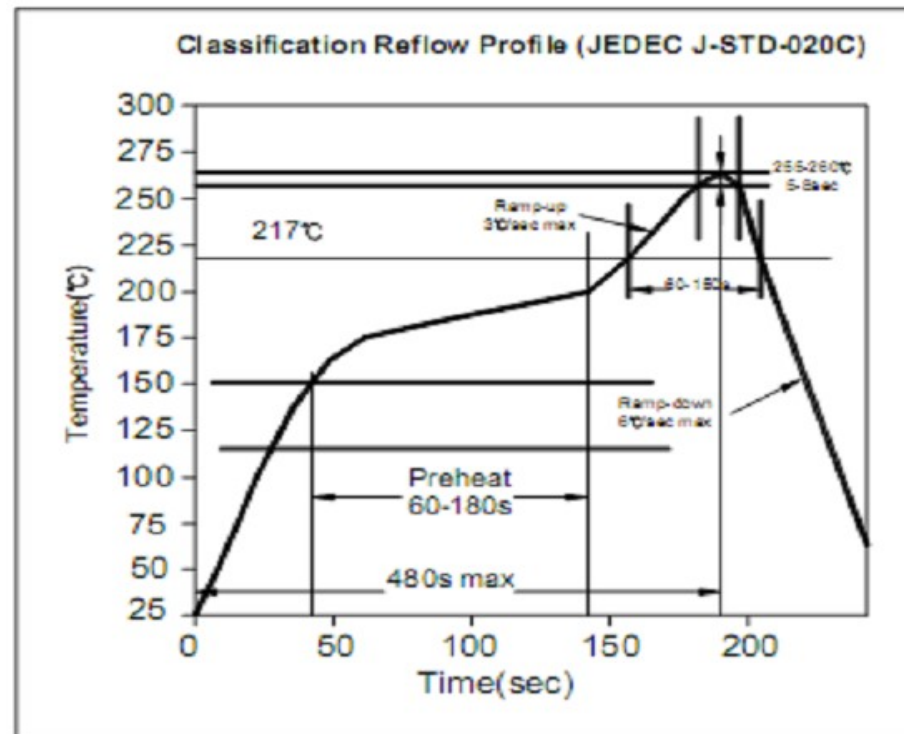
Contact



Soldering Profile for Lead Soldering (P.B.T.)



Soldering Profile for Lead Free Soldering (Nylon 6T)



SMD Pin Header Pitch 5,08mm	
Part No.:	T51G1004-
Customer:	

DRW:	Jason	CHKD:	Wilson	MATL:	Wilson	TOLERANCE:	Mason	DATE:	26.03.2024
APPD:	Schumi			FINISH:	Jamy		Sheet No.		4 from 4

www.edcon-components.com

email: info@edcon-components.com