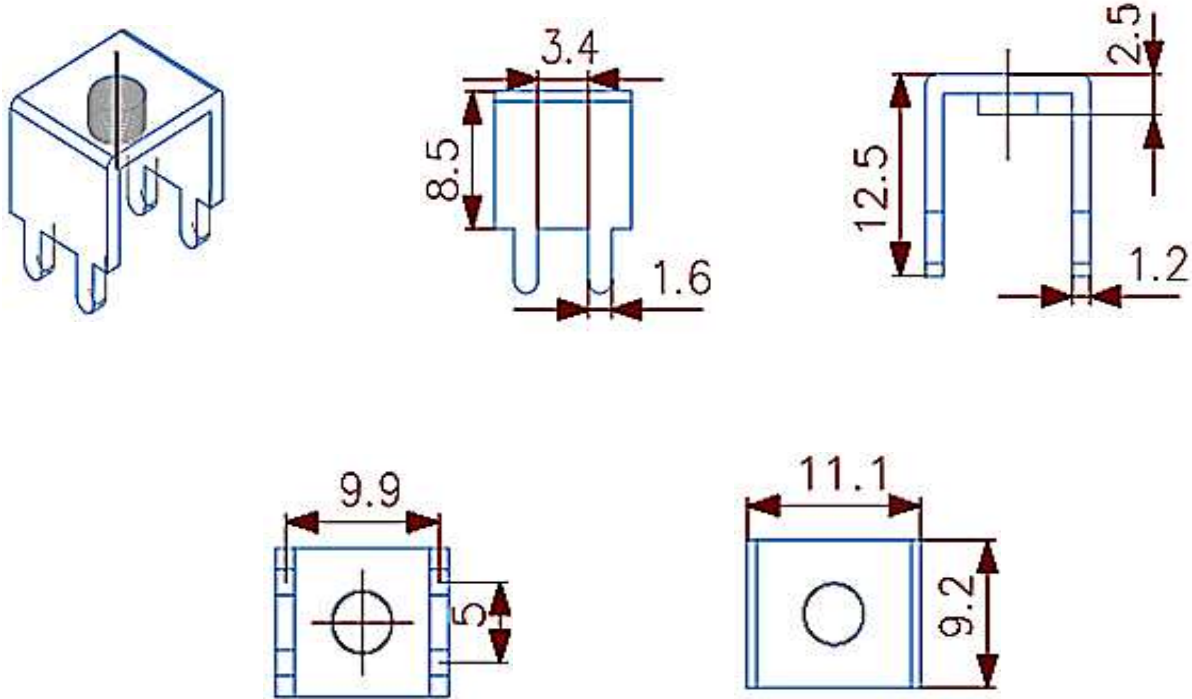


Technical Dimension



Material

Material: Brass, Tin plated
 Screw-Size: M4/M5
 Rated Current: 60A

Ordering Information

| Serie | Thread-Size | Plating | Special | ROHS | Packing |
|--------|-------------|---------|---------|------|---------|
| A25130 | M4 | TN | N | R | BU |

| | | | |
|-----------------|----------------|-----------------|---------------|
| M4= Thread Size | TN= tin plated | R= ROHS Conform | BU= Bulk Ware |
| M5= Thread Size | | N= NON ROHS | |

| | |
|---------------------------|---------------|
| PCB Power Terminal | |
| Part No.: | A25130 |
| Customer: | |

| | | | | | | | |
|-------|-------|------|-------|--------|-------|-------|------------|
| DRW: | Jason | CHKD | Jules | MATL: | Wu | DATE | 21.11.2017 |
| APPD: | Join | | | FINISH | Shieh | Sheet | 1 from 1 |