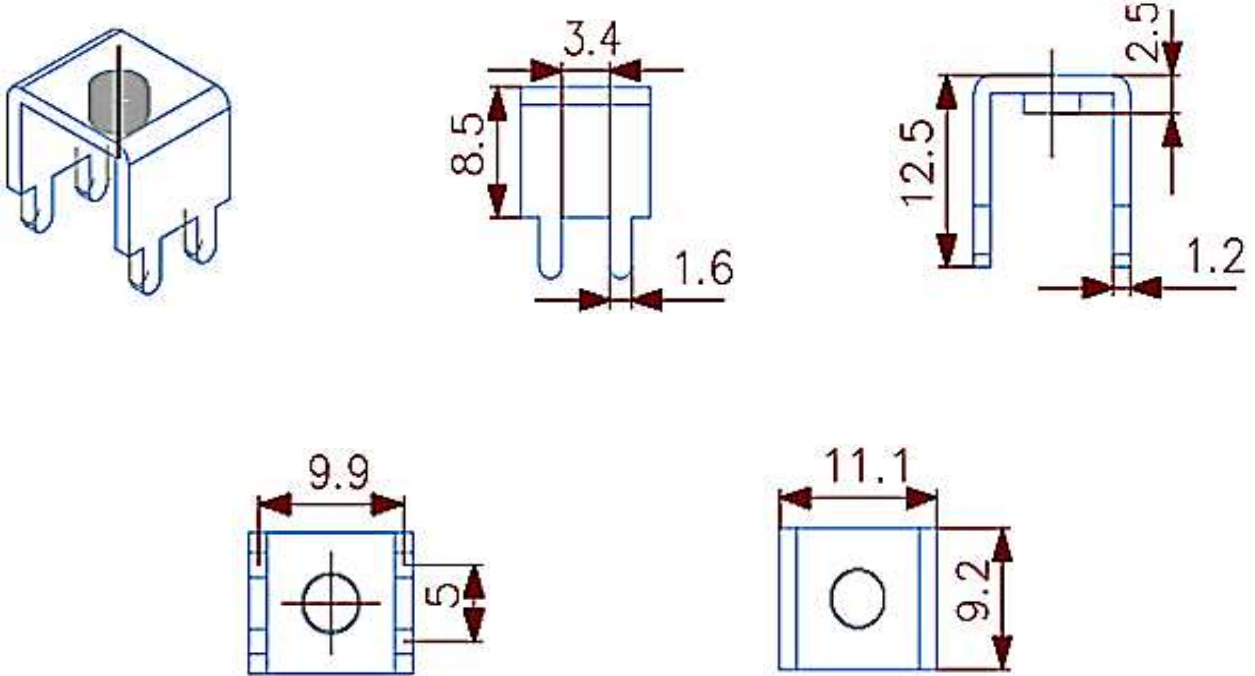


**Technical Dimension**



**Material**

Material: Brass, Tin plated  
 Screw-Size: N/A  
 Rated Current: N/A

**Ordering Information**

Serie	Thread-Size	Plating	Special	ROHS	Packing
A25129	N	TN	N	R	BU

	TN= tin plated	R= ROHS Conform	BU= Bulk Ware
		N= NON ROHS	
<b>PCB Power Terminal</b>			
Part No.:			<b>A25129</b>
Customer:			

DRW:	Jason	CHKD	Jules	MATL:	Wu	DATE	21.11.2017
APPD:	Join			FINISH	Shieh	Sheet	1 from 1