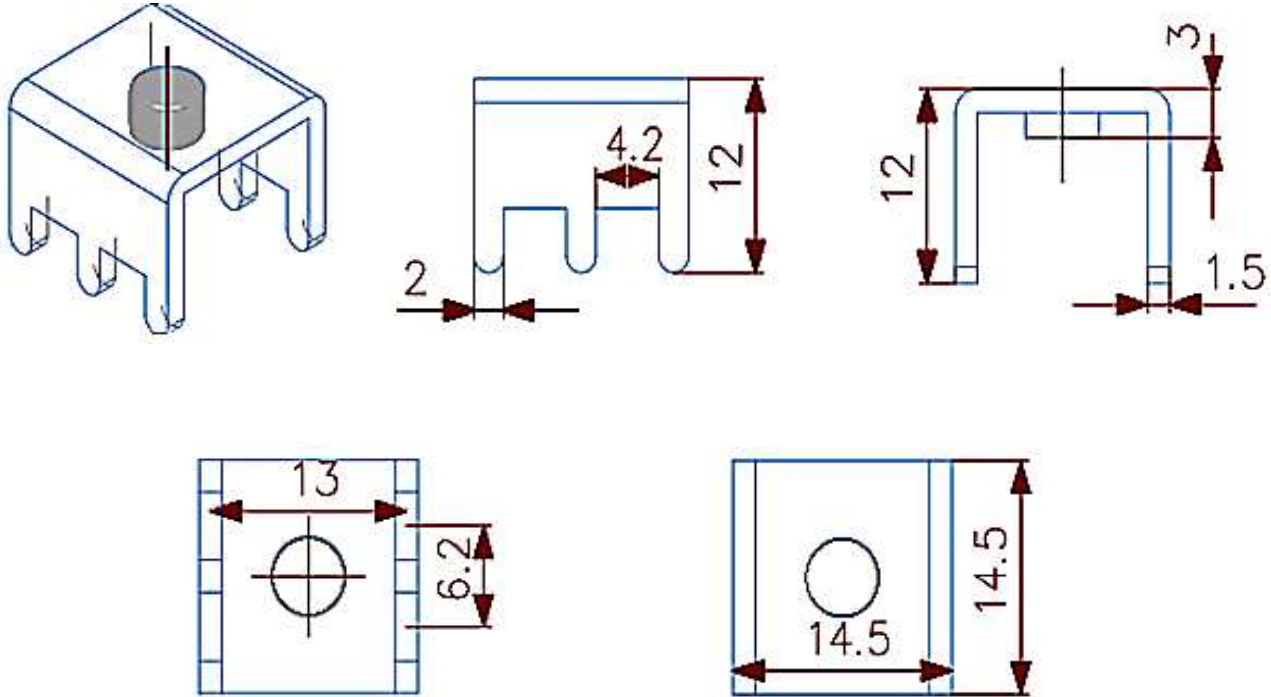


Technical Dimension



Material

Material: Brass, Tin plated
 Screw-Size: N/A
 Rated Current: N/A

Ordering Information

Serie	Thread-Size	Plating	Special	ROHS	Packing
A25128	N	TN	N	R	BU

	TN= tin plated	R= ROHS Conform	BU= Bulk Ware
		N= NON ROHS	
PCB Power Terminal			
Part No.:			A25128
Customer:			

DRW:	Jason	CHKD	Jules	MATL:	Wu	DATE	21.11.2017
APPD:	Join			FINISH	Shieh	Sheet	1 from 1