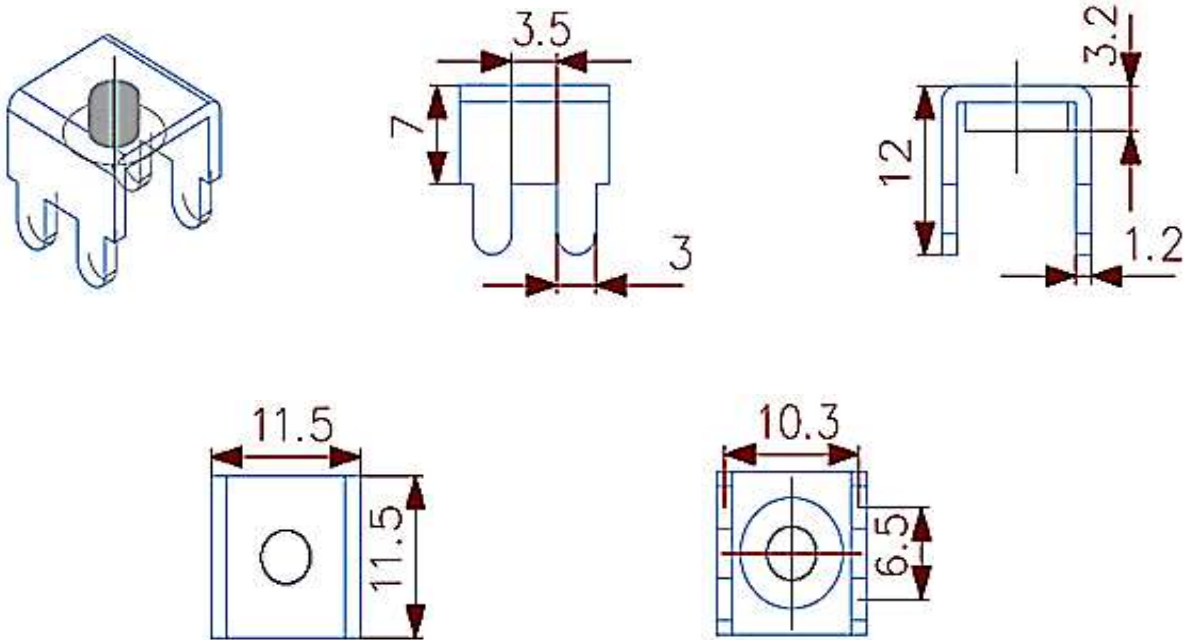




**Technical Dimension**



**Material**

Material	Brass, Tin plated
Screw-Size	N/A
Rated Current:	N/A

**Ordering Information**

Serie	Thread-Size	Plating	Special	ROHS	Packing
<b>A25086</b>	<b>M3</b>	<b>TN</b>	<b>N</b>	<b>R</b>	<b>BU</b>

	<b>TN=</b> tin plated	<b>N=</b> No function	<b>R=</b> ROHS Conform	<b>BU=</b> Bulk Ware
			<b>N=</b> NON ROHS	

<b>PCB Power Terminal</b>	
Part No.:	<b>A25086</b>
Customer:	

DRW:	Jason	CHKD	Jules	MATL:	Wu	DATE	21.11.2017
APPD:	Join			FINISH	Shieh	Sheet	1 from 1