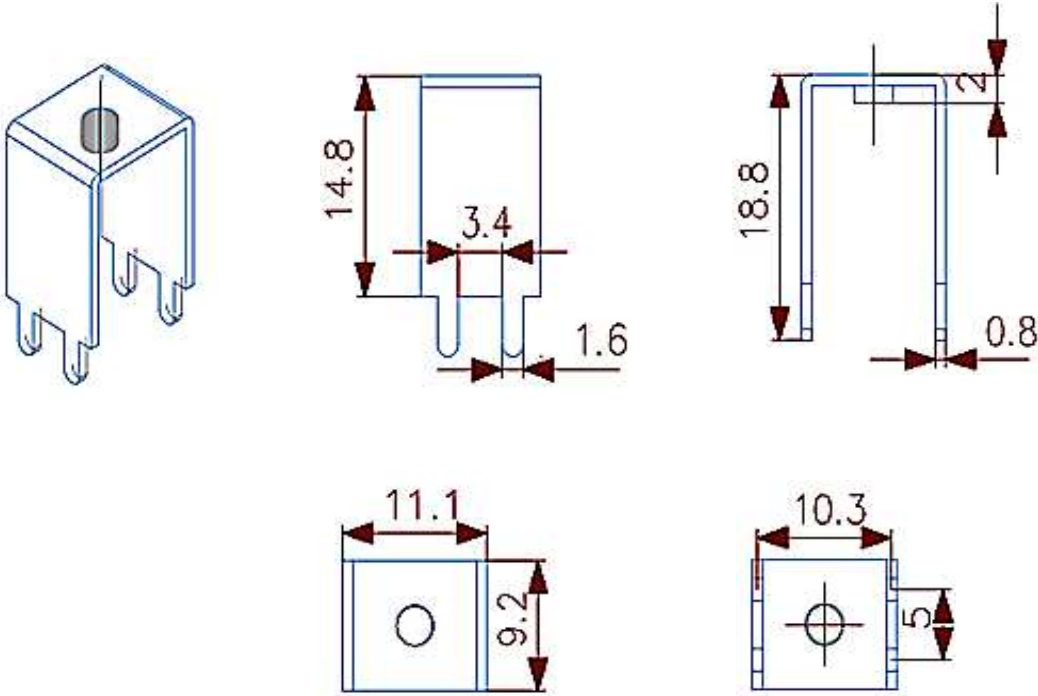


Technical Dimension



Material

Material: Brass, Tin plated
 Screw-Size: M3/M4
 Rated Current: 36A

Ordering Information

Serie	Thread-Size	Plating	Special	ROHS	Packing
A25081	M3	TN	N	R	BU

M3= Thread Size	TN= tin plated	N= No function	R= ROHS Conform	BU= Bulk Ware
M4= Thread Size			N= NON ROHS	

PCB Power Terminal	
Part No.:	A25081
Customer:	

DRW:	Jason	CHKD	Jules	MATL:	Wu	DATE	21.11.2017
APPD:	Join			FINISH	Shieh	Sheet	1 from 1