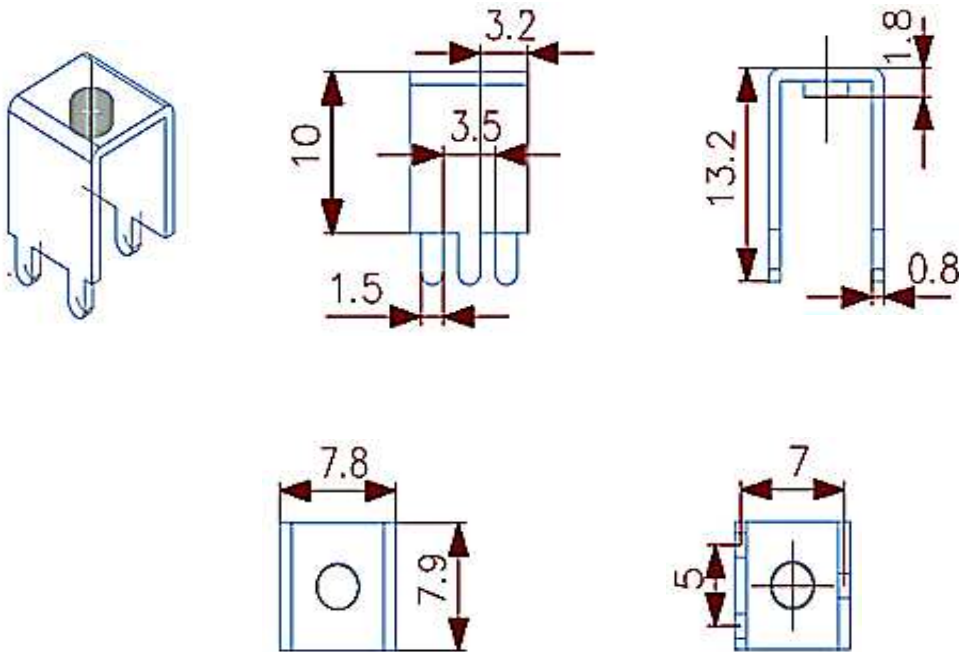


Technical Dimension



Material

Material: Brass, Tin plated
 Screw-Size: M3
 Rated Current: 25A

Ordering Information

Serie	Thread-Size	Plating	Special	ROHS	Packing
A25076	M3	TN	N	R	BU

M3 = Thread Size	TN = tin plated	N = No function	R = ROHS Conform N = NON ROHS	BU = Bulk Ware
-------------------------	------------------------	------------------------	--	-----------------------

PCB Power Terminal	
Part No.:	A25076
Customer:	

DRW:	Jason	CHKD	Jules	MATL:	Wu	DATE	21.11.2017
APPD:	Join			FINISH	Shieh	Sheet	1 from 1