

EDCON-COMPONENTS

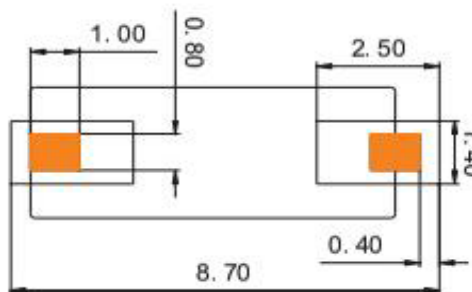
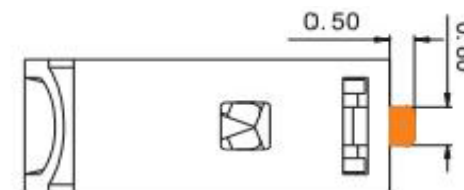
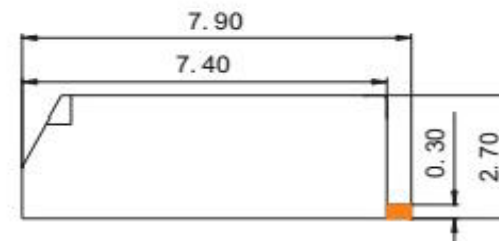
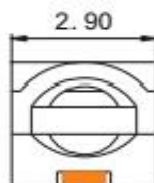


Technical Discription

Rated Voltage 300V
 Rated Current 3A
 Contact Resistance: 20m Ohm
 Wire Range
 Solid Wire: 0,2~ 0,34mm²
 Multi-wire: 0,2~ 0,34mm²
 Solid Wire: AWG 26 ~ AWG22
 Multi-wire: AWG 26 ~ AWG22
 Withstanding Volt. AC2000V/Min.
 Ambient Temp. . -60°C ~ +105°C
 Strip length 5~6mm
 Pitch 3mm
 Poles 1P, 2P, 3P
 Housing PA9T , UL94V-0
 Pin Header Phosphor Bronze tin plated

 Packing: Tape/Reel

Drawing



PCB Layout 1 Pos.

**SMD PCB Connector Pitch
3,0mm**

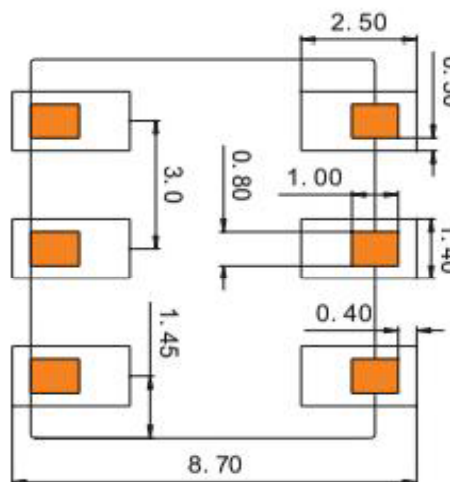
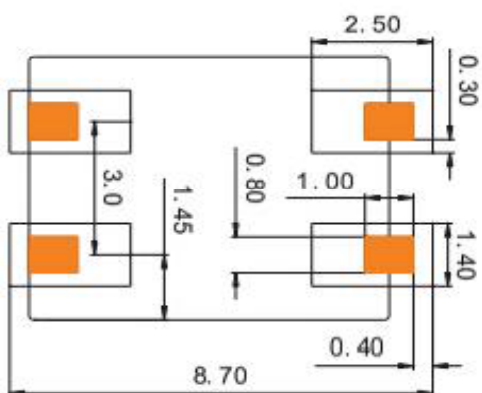
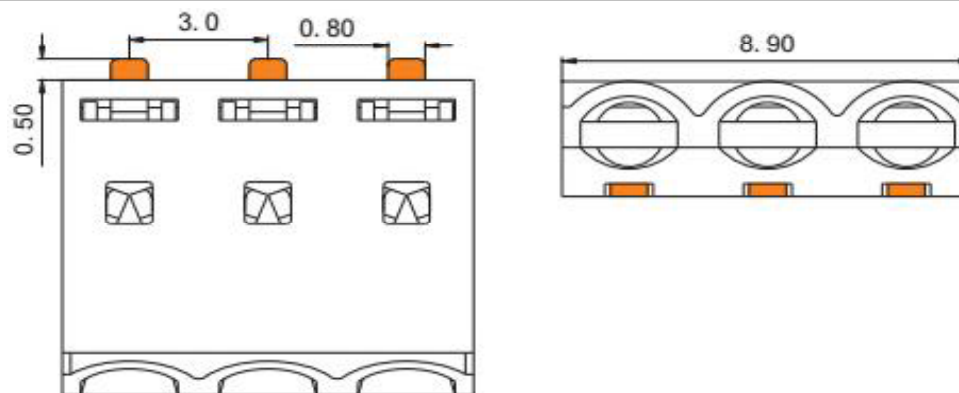
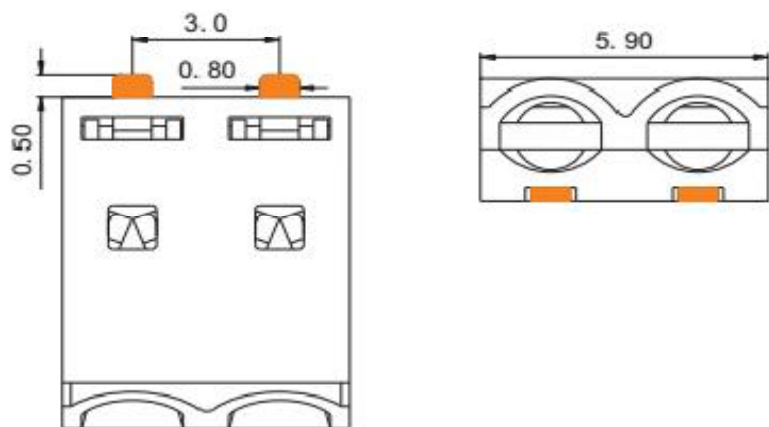
Part No.: **TA11009**

DRW:	Jason	CHKD	Wilson	MATL:	Wilson	TOLERANCE	Mason	DATE	07.09.2017	Customer:
APPD:	Schumi			FINISH	Jamy		Sheet No.	1 from 4		

EDCON-COMPONENTS



Drawing



PCB Layout 2Pos.

PCB Layout 3Pos.

SMD PCB Connector Pitch
3,0mm

DRW:	Jason	CHKD	Wilson	MATL:	Wilson	TOLERANCE	Mason	DATE	07.09.2017	Part No.: TA11009
APPD:	Schumi			FINISH	Jamy		Sheet No.	2 from 4		

www.edcon-components.com

email: info@edcon-components.com

EDCON-COMPONENTS



Ordering Informations

Serie	No. Pos.	Color Code	Spezial Function	Spezial Function	ROHS	Packing				
-------	----------	------------	------------------	------------------	------	---------	--	--	--	--

TA11009	1	GY	0	0	R	TR				
----------------	----------	-----------	----------	----------	----------	-----------	--	--	--	--

1= One Pos.	GY= gray	0= No function	0= No function	R= ROHS Conform	BU= Bulk-Ware
2= Two Pos.					TR= Tape Reel
3= Three Pos.					

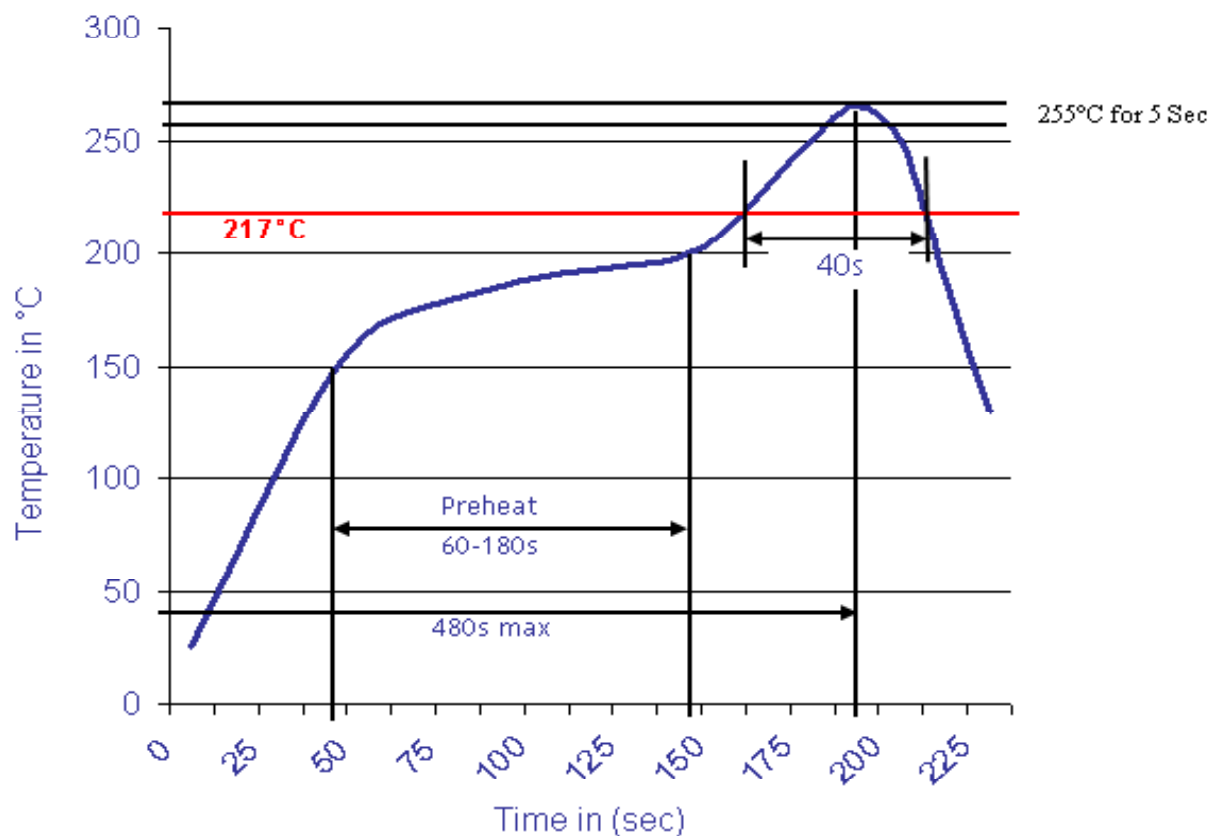
SMD PCB Connector Pitch 3,0mm	
Part No.:	TA11009
Customer:	

DRW:	Jason	CHKD	Wilson	MATL:	Wilson	TOLERANCE	Mason	DATE	07.09.2017
APPD:	Schumi			FINISH	Jamy		Sheet No.		3 from 4



Soldering Profile Curve

Classification Reflow Profile (JEDEC J-STD-020C)



SMD PCB Connector Pitch 3,0mm	
Part No.:	TA11009
Customer:	

DRW:	Jason	CHKD	Wilson	MATL:	Wilson	TOLERANCE	Mason	DATE	07.09.2017
APPD:	Schumi			FINISH	Jamy		Sheet No.	4 from 4	