

Data Sheet

Elevated Terminal Block

Pitch: 5,00 mm

Serie: A13L008

Customer Information for special Item

EDCON Customer : 0

Customer Version No. : 0

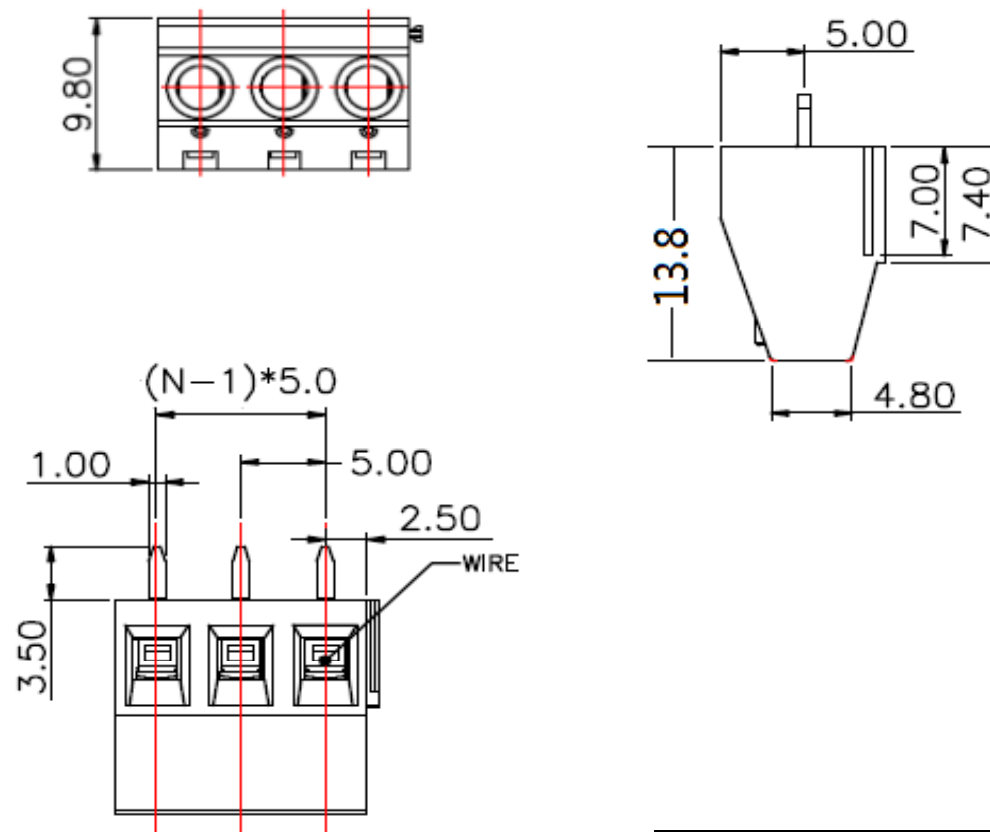
EDCON-COMPONENTS



Technical Discription

Electrical	UL	IEC
Rated Voltage	250 Volt	300V
Rated Current	18A	15A
Wire Range		
Solid Wire		AWG 14~26
Stranged Wire		AWG 14~26
Withstanding Voltage		2,5KV/ 1Min.
Insulation Resistance		5000MΩ / 1000V
Mechanical		
Operating Temperature		. -40°C ~ +105°C
Wire Strip Length		7mm
Dimensions		
Pitch (mm)		5,00
Poles		2 + 3Pos. ~ 24 Pos.
Materials		
Terminal Housing	PA66 (UL94V-0)	1
Clamp	Brass Tin, plated	2
Wire guard	Wire guard solder Pin	3
Terminal screw	Steel Zinc plating	4

Drawing (Dimension in mm)



Elevated Terminal Block

Part No.: **A13L008**

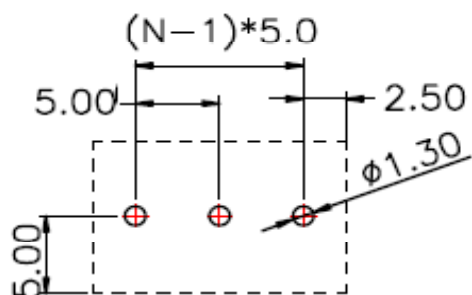
Customer:

DRW:	Jason	CHKD	Wilson	MATL:	Wilson	TOLERANCE	Mason	DATE	18.12.2017
APPD:	Schumi			FINISH	Jamy		Sheet No.		1 from 4

EDCON-COMPONENTS



PCB Layout



Dimensions (mm)

No. of Pos.	Tol. A	N	Tol. B
02	± 0,15	5,00	± 0,15
03	± 0,15	10,00	± 0,15
04	± 0,15	15,00	± 0,15
05	± 0,15	20,00	± 0,15
06	± 0,15	25,00	± 0,15
07	± 0,25	30,00	± 0,25
08	± 0,25	35,00	± 0,25
09	± 0,25	40,00	± 0,25
10	± 0,25	45,00	± 0,25
11	± 0,25	50,00	± 0,25
12	± 0,25	55,00	± 0,25
13	± 0,35	60,00	± 0,35
14	± 0,35	65,00	± 0,35
15	± 0,35	70,00	± 0,35
16	± 0,35	75,00	± 0,35
17	± 0,35	80,00	± 0,35
18	± 0,35	85,00	± 0,35
19	± 0,35	90,00	± 0,35
20	± 0,40	95,00	± 0,40
21	± 0,40	100,00	± 0,40
22	± 0,40	105,00	± 0,40
23	± 0,40	110,00	± 0,40
24	± 0,40	115,00	± 0,40

Elevated Terminal Block

Part No.: **A13L008**

Customer:

DRW:	Jason	CHKD	Wilson	MATL:	Wilson	TOLERANCE	Mason	DATE	18.12.2017
APPD:	Schumi			FINISH	Jamy		Sheet No.	2 from 4	


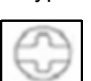
EDCON-COMPONENTS



Ordering Informations

Serie	No. of Pos.	Body Color	No Function	Approval Code	ROHS	Packing	EDCON Cust. No.	Customer Version		
-------	-------------	------------	-------------	---------------	------	---------	-----------------	------------------	--	--

A13L008	02	PG	A	N	R	B				
----------------	-----------	-----------	----------	----------	----------	----------	--	--	--	--

Pitch 5,00	02 = Number of Pos. Standard 2 + 3Pos- ~ 24Pos.	PG = Phoenix Green (Standard) WH = White GN = Green GY = Gray LG = Light Gray OR = Orange BL = Blue BK = Black	A = Slotted Screw Type (Standard)  B = Cross Slotted Screw Type 	N = NON Approval A = UL /UR Approval Please consult EDCON for available B = VDE Approval Please consult EDCON for available C = TÜV Approval Please consult EDCON for available 0 = NON Plastic Approval	R = ROHS Conform N = NON ROHS Conform	B = Bulk-Ware I = Individual Package	xxxxxx = Customer Number	xxx = Customer Version ??(Printing)		
---------------	---	---	---	---	--	---	---------------------------------	--	--	--

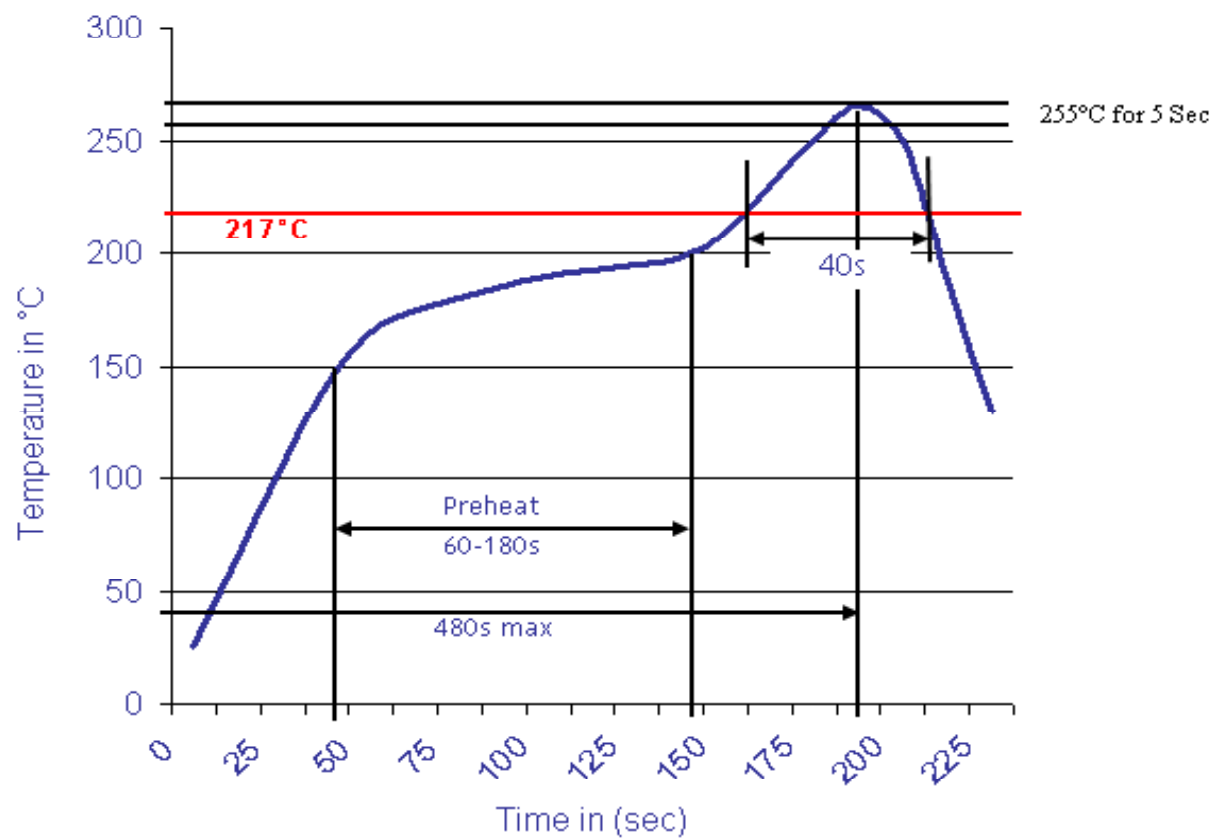
Elevated Terminal Block	
Part No.:	A13L008
Customer:	

DRW:	Jason	CHKD	Wilson	MATL:	Wilson	TOLERANCE	Mason	DATE	18.12.2017
APPD:	Schumi			FINISH	Jamy		Sheet No.		3 from 4



Soldering Profile Curve

Classification Reflow Profile (JEDEC J-STD-020C)



Elevated Terminal Block	
Part No.:	A13L008
Customer:	

DRW:	Jason	CHKD	Wilson	MATL:	Wilson	TOLERANCE	Mason	DATE	18.12.2017
APPD:	Schumi			FINISH	Jamy		Sheet No.	4 from 4	