

EDCON-COMPONENTS



Features

Frequency Range 32,768KHz
 Tuning Fork crystal with plastic package type High Density SMD type.
 Light weight with small and thin packaging
 High-stability assured with tight vacuum sealing

Applications

Most appropriate for clock and Microcomputer

Specifications

Frequency Range:	32,768KHz	25,00KHz ~ 307,20KHz	
Storage Temperature:	.- 55°C ~ +125°C		Store at bar products
Operating Temperature:	.- 40°C ~ +85°C		
Level of drive	1,0μW max.		
Frequency Tolerance:	±20%, ±50%	±50%, ±100%	. +25°C, DL=0,1μW
Turnover temperature	.+25°C ± 5°C		
Load capacitance	6pf to ~ (12,5pf Standard)		Please specify
ESR resistance:	50K Ω max.	below table	
Capacitance:	2,0fF typ.	4,0 fF to 0,6fF	
	2,0fF typ.		
Shunt capacitance:	0,9pf typ.	2,0 pF to 0,6pF	
	0,85pf typ.		
Frequency aging:	./- 3ppm	./- 5ppm	.+25°C, First year

ESR resistance

Frequency	ESR
20,0KHz nom. <31,2KHZ	55KΩ max.
31,2KHz nom. <40,0KHZ	35KΩ max.
40,0KHz nom. <90,0KHZ	20KΩ max.
90,0KHz nom. <130,0KHZ	12KΩ max.
130,0KHz nom. <307,2KHZ	10KΩ max.

**SMD Quarz Crystal
 9,6x4,0mm 4PAD**

Part No.: **O12062**

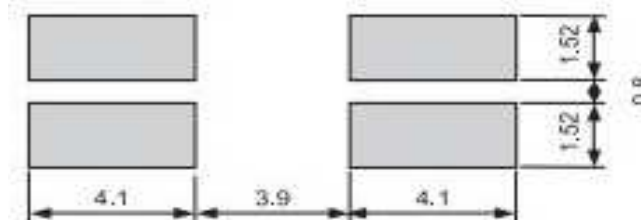
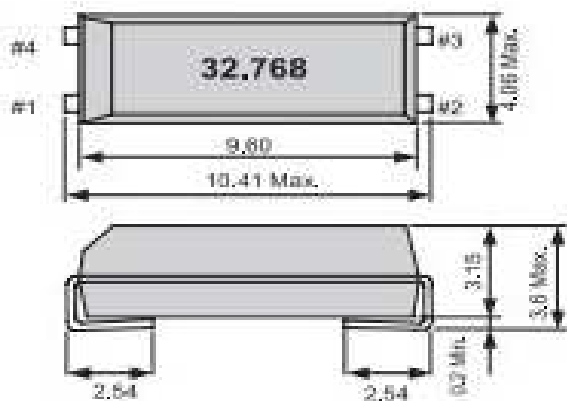
DRW:	Jose	CHKD	John	MATL:	Victoria	TOLERANCE	Mu Tao	DATE	09.11.2013	Customer:
APPD:	Victor			FINISH	Oliver		Sheet No.		1 from 4	

EDCON-COMPONENTS



Technical Dimensions Dimensions (mm)

P.C.B. Layout



Note: Metal may be exposed on the top or bottom of this product. This will not affect any quality reliability or electrical spec.

SMD Quarz Crystal	
9,6x4,0mm 4PAD	
Part No.:	O12062
Customer:	

DRW:	Jose	CHKD	John	MATL:	Victoria	TOLERANCE	Mu Tao	DATE	09.11.2013
APPD:	Victor			FINISH	Oliver		Sheet No.	2 from 4	

EDCON-COMPONENTS



Ordering Informations

Serie	Frequency Range	Frequency Tolerance	Load capacitance	Special function	Temperature Range	ROHS	Packing			
O12062	32K7680000	C	A	0	A	R	TR			

10 Letters (empty fill w. 0)	A= +/-100ppm	A= 12,5pf	0= no special function	A= -0°C ~ +50°C	R= ROHS Conform	TR= Tape /Reel
	B= +/-50ppm	X= specificity		B= -10°C ~ +60°C		
	C= +/-20ppm					

SMD Quarz Crystal 9,6x4,0mm 4PAD	
Part No.:	O12062
Customer:	

DRW:	Jose	CHKD	John	MATL:	Victoria	TOLERANCE	Mu Tao	DATE	09.11.2013
APPD:	Victor			FINISH	Oliver		Sheet No.		3 from 4



Soldering Profile

Classification Reflow Profile (JEDEC J-STD-020C)



**SMD Quarz Crystal
9,6x4,0mm 4PAD**

Part No.: **O12062**

DRW:	Jose	CHKD	John	MATL:	Victoria	TOLERANCE	Mu Tao	DATE	09.11.2013	Customer:
APPD:	Victor			FINISH	Oliver		Sheet No.	4 from 4		