

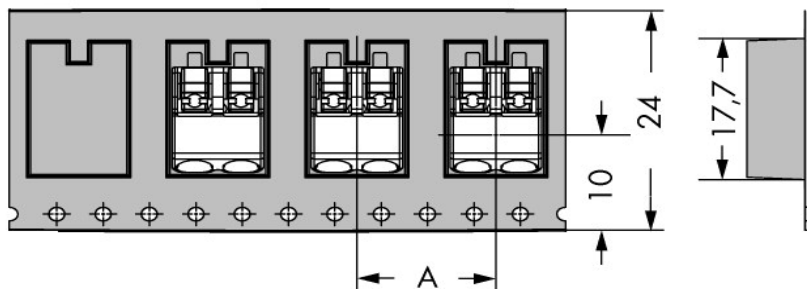
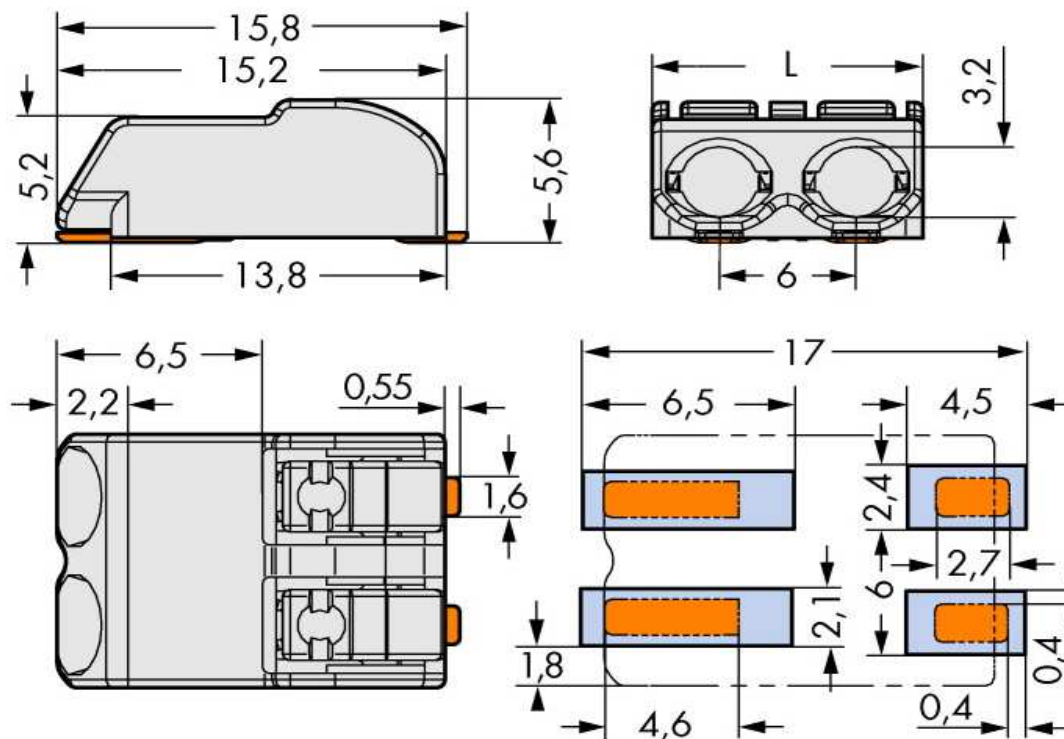
EDCON-COMPONENTS



Technical Discription

Drawing

Approval:	CE
Rated Voltage	250V / 320V / 630V
Rated Current	17,5A
Wire Range	
Solid Wire	0,5~ 1,5mm ²
Stranded Wire	0,5~ 1,5mm ²
Solid Wire	AWG20 ~16
Stranded Wire	AWG20 ~16
Ambient Temp.	. -40°C ~ +105°C
Strip length	7~10mm
Pitch	4mm
Poles	1P, 2P, 3P
Housing	PA46 / PA6T , UL94V-0
Pin Header	Brass tin plated
Packing:	Tape/Reel
Quantity 1P	900PCs
Quantity 2P	700PCs
Quantity 3P	450PCS



SMD PCB LED Connector Pitch 6,0mm	
Part No.:	TA11004
Customer:	

DRW:	Jason	CHKD	Wilson	MATL:	Wilson	TOLERANCE	Mason	DATE	26.01.2015
APPD:	Schumi			FINISH	Jamy		Sheet No.		1 from 3

EDCON-COMPONENTS



Ordering Informations

Serie	No. Pos.	Color Code	Spezial Function	Spezial Function	ROHS	Packing				
-------	----------	------------	------------------	------------------	------	---------	--	--	--	--

TA11004	1	GY	0	0	R	TR				
----------------	----------	-----------	----------	----------	----------	-----------	--	--	--	--

1= One Pos.	GY= gray	0= No function	0= No function	R= ROHS Conform	BU= Bulk-Ware
2= Two Pos.					
3= Three Pos.					TR= Tape Reel

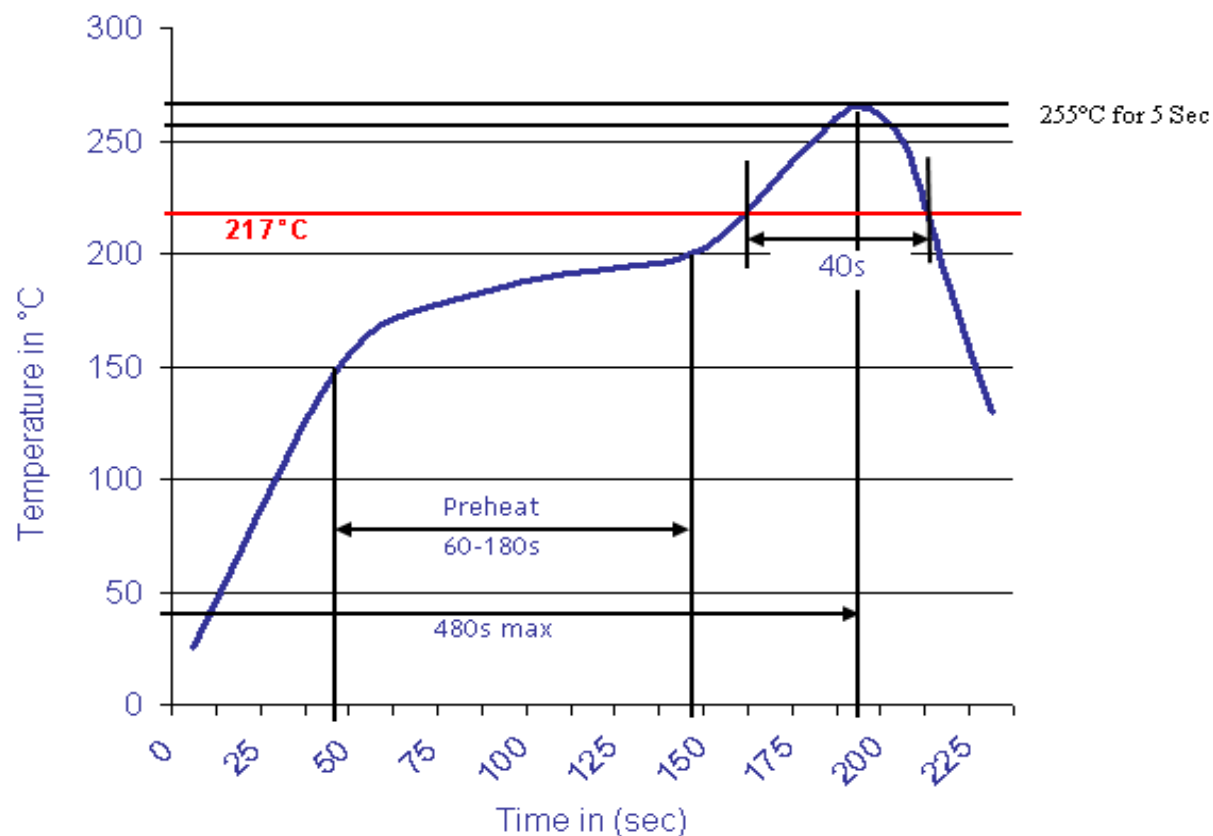
SMD PCB LED Connector Pitch 6,0mm	
Part No.:	TA11004
Customer:	

DRW:	Jason	CHKD	Wilson	MATL:	Wilson	TOLERANCE	Mason	DATE	26.01.2015
APPD:	Schumi			FINISH	Jamy		Sheet No.	2 from 3	



Soldering Profile Curve

Classification Reflow Profile (JEDEC J-STD-020C)



SMD PCB LED Connector Pitch 6,0mm	
Part No.:	TA11004
Customer:	

DRW:	Jason	CHKD	Wilson	MATL:	Wilson	TOLERANCE	Mason	DATE	26.01.2015
APPD:	Schumi			FINISH	Jamy		Sheet No.		3 from 3

www.edcon-components.com

email: info@edcon-components.com