

EDCON-COMPONENTS



Technical Discription

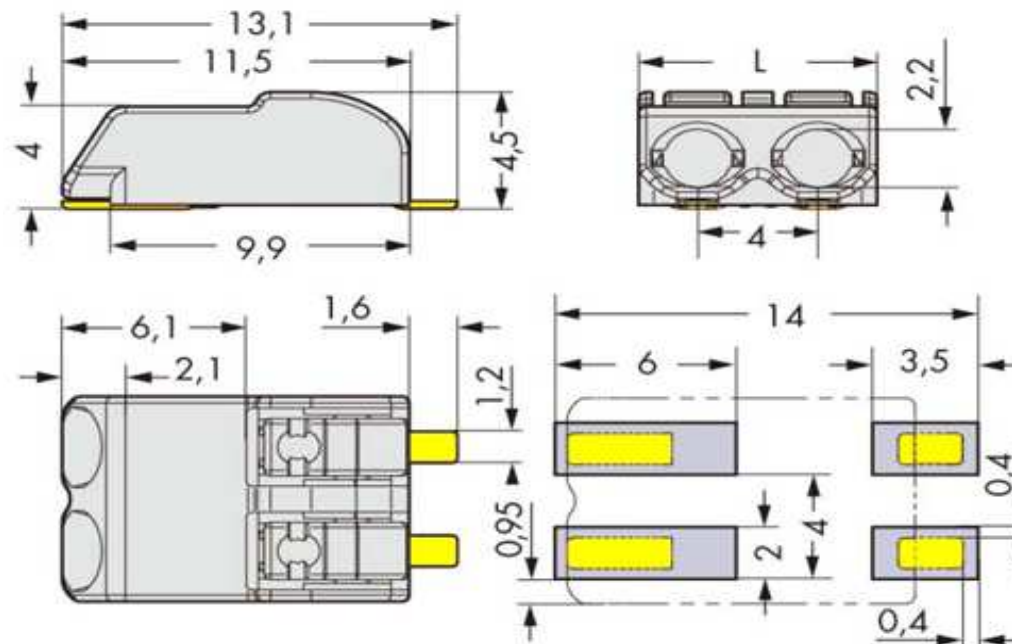
Drawing

Approval: CE
 Rated Voltage: 300V
 Rated Current: 9A
 Contact Plating: tinned
 Wire Range:
 Solid Wire: 0,2~ 0,75mm²
 Multi-wire: 0,2~ 0,75mm²
 Solid Wire: AWG 24 ~ AWG18
 Multi-wire: AWG 24 ~ AWG18

 Ambient Temp. : -40°C ~ +105°C
 Strip length: 6~7mm
 Pitch: 4mm
 Poles: 1P, 2P, 3P
 Housing: PA46 / PA6T , UL94V-0
 Pin Header: Brass tin plated

Packing: Tape/Reel

Dimension **L=**
 1P 4,15mm
 2P 8,35mm
 3P 12,15mm



SMD PCB LED Connector	
Part No.:	TA11001
Customer:	

DRW:	Jason	CHKD	Wilson	MATL:	Wilson	TOLERANCE	Mason	DATE	26.01.2015
APPD:	Schumi			FINISH	Jamy		Sheet No.		1 from 3

EDCON-COMPONENTS



Ordering Informations

Serie	No. Pos.	Color Code	Spezial Function	Spezial Function	ROHS	Packing				
-------	----------	------------	------------------	------------------	------	---------	--	--	--	--

TA11001	1	GY	0	0	R	TR				
----------------	----------	-----------	----------	----------	----------	-----------	--	--	--	--

1= One Pos.	GY= gray	0= No function	0= No function	R= ROHS Conform	BU= Bulk-Ware
2= Two Pos.					
3= Three Pos.					TR= Tape Reel

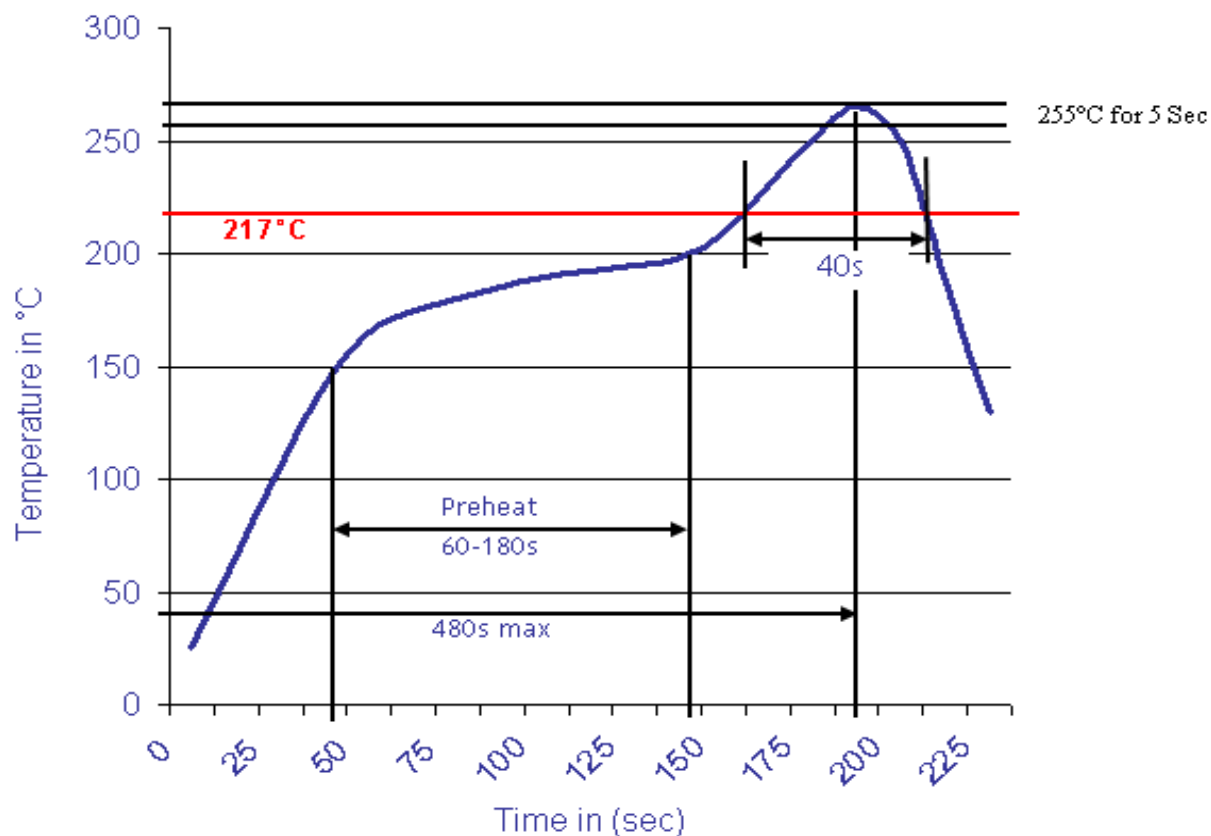
SMD PCB LED Connector
Part No.: TA11001
Customer:

DRW:	Jason	CHKD	Wilson	MATL:	Wilson	TOLERANCE	Mason	DATE	26.01.2015
APPD:	Schumi			FINISH	Jamy		Sheet No.		2 from 3



Soldering Profile Curve

Classification Reflow Profile (JEDEC J-STD-020C)



SMD PCB LED Connector

Part No.: **TA11001**

DRW:	Jason	CHKD	Wilson	MATL:	Wilson	TOLERANCE	Mason	DATE	26.01.2015
APPD:	Schumi			FINISH	Jamy		Sheet No.	3 from 3	

Customer:
 email: info@edcon-components.com