

EDCON-COMPONENTS



Specifications

IP-Degree: IP65
 Crust Material: look order code
 Terminal Type: Solder Lug (2,8x0,5mm)

Operating Temperature: . -40°C ~ +85°C

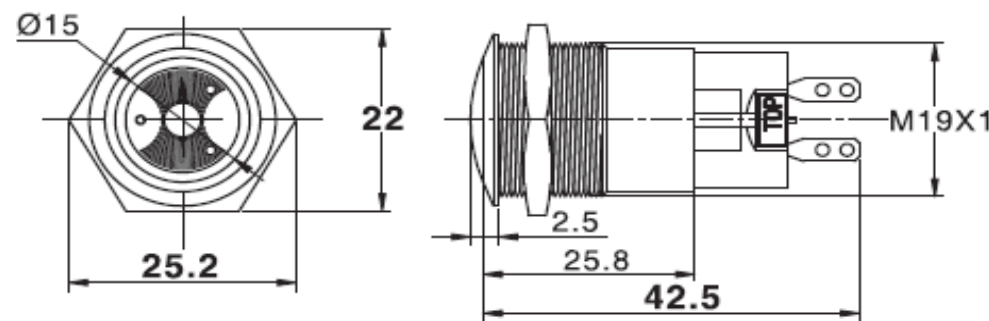
Panel Thickness: 1 ~ 10mm
 Torque: 5 ~ 14Nm

Pressure: ≥ 85dB (10cm)

Material

Body: look order Code
 Base: PA
ROHS: Made to Order-Code
 Type: Illuminated (LED)
 Color: **R Y O** **G B W**
 Rated Voltage: AC/DC 1,7V AC/DC 2,8V
 Rated Current: 20mA
 Lifetime: 40000Hrs

Drawing



Operating Voltage (U)	6V	12V	24V	36V
R Y O	210Ω, 1/4W	510Ω, 1/4W	1,2KΩ, 1/4W	2,2KΩ, 1/4W
G B W	160Ω, 1/4W	470Ω, 1/4W	1,2KΩ, 1/4W	2,2KΩ, 1/4W

Formula	
R=	$\frac{U - U_e}{I_e}$

19MM Anti-Vandal-Buzzer w. Flicker
 Part No.: **Q35117**

DRW:	Jason	CHKD	Wilson	MATL:	Wilson	TOLERANCE	Mason	DATE	06.08.2017	Customer:
APPD:	Schumi			FINISH	Jamy		Sheet No.	1 from 3		

EDCON-COMPONENTS



Visual Effect of Surface



Nickel - plated brass
(Satin surface)



Stainless steel (Spiral surface)



Gold - plated brass (Satin surface)

Order Code	 A4	 A3	 A2	 A1
Order Code	 A8	 A7	 A6	 A5
Order Code	 B3	 B2	 B1	 A9
Order Code	 Bx	<p>You can create our own symbol</p> Bx	 B5	 B4

**19MM Anti-Vandal-Buzzer
w. Flicker**

Part No.: **Q35117**

Customer:

DRW:	Jason	CHKD	Wilson	MATL:	Wilson	TOLERANCE	Mason	DATE	06.08.2017
APPD:	Schumi			FINISH	Jamy		Sheet No.		2 from 3

www.edcon-components.com

email: info@edcon-components.com

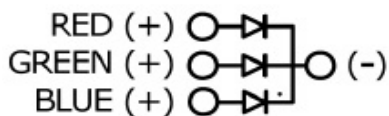
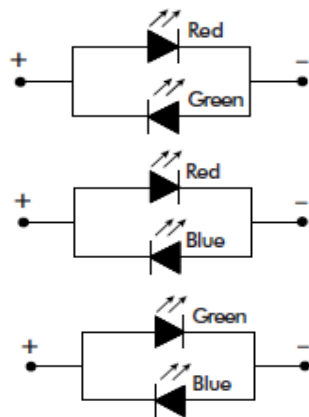
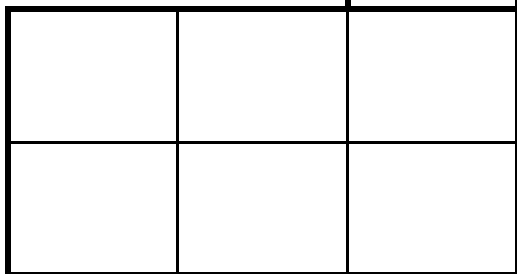
EDCON-COMPONENTS



Ordering Informations

Serie	Front Shape	Contact Structure	Lamp Type	Connect Type	Lamp Color	Lamp Voltage	Crust Material	Engraving Options	ROHS	Packing Style
Q35117	D	00	R	3	A	0	S	00	R	N

		R= RING-Size	3= 2,8x0,5 Terminal	A= No Function	0= with 0R Resistor before LED	S= Stainless Steel	00= No function	R= ROHS Conform	N= White Carton
B= Domed				R= Red		N= Nickel Plated Brass		N= NON ROHS Conform	I= Individual Packing
				G= Green	1= 6V AC/DC	G= Gold Plated Brass			
				Y= Yellow	2= 12V AC/DC	K= Zn-Alloy (colorized Button Black)			
				O= Orange	3= 24V AC/DC	B= Zn-Alloy (colorized Button Bronze)			
				B= Blue	4= 36V AC/DC				
				W= White	5= 48V AC/DC				
				P= Dual LED Red/Green	6= 110V AC/DC				
				Z= Dual LED Red/Blue	7= 230V AC/DC				
				Y= Dual LED Green/Blue	X= can we make by order				
				T= RGB-LED Tripple Colour					



19MM Anti-Vandal-Buzzer w. Flicker
Part No.: **Q35117**

DRW:	Jason	CHKD	Wilson	MATL:	Wilson	TOLERANCE	Mason	DATE	06.08.2017
APPD:	Schumi			FINISH	Jamy		Sheet No.	3 from 3	Customer: