

# EDCON-COMPONENTS



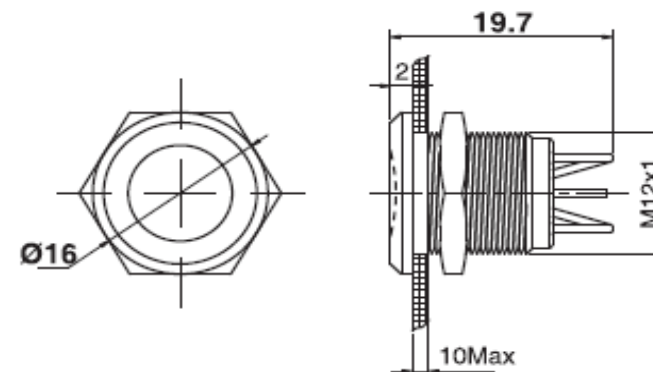
## Specifications

Voltage Range:	like order Code
Rated Current:	15mA
Type:	LED
Lifetime LED:	40000Hrs
The Crust Material	like order Code
IP Degree:	IP65 / IP67 / IK10
Color of LED	<b>R</b> <b>G</b> <b>Y</b> <b>O</b> <b>B</b> <b>W</b>
Max. Rev. Voltage:	5V
Terminal Style:	Pin Terminal ( 1,8x0,4mm)
Dielectric Strength:	1100VAC
Operating Temperature:	. -40°C ~ +85°C
Panel Thickness:	1 ~ 10mm
Torque:	5-14Nm
Viewing Angle:	100°

## Material

Lampshade:	PC
Body:	like Order Code
Base:	PBT
<b>ROHS:</b>	Made to Order-Code

## Drawing



Luminous Intensity		
Lamp Colour	Standard Voltage	Smaller Voltage
Red	7500mcd	2000mcd
Green	4100mcd	250mcd
Yellow	2500mcd	350mcd
Blue	1300mcd	300mcd
White	1900mcd	200md

<b>12MM Anti-Vandal-INDICATOR</b>	
Part No.:	<b>Q35093</b>
Customer:	

DRW:	Jason	CHKD	Wilson	MATL:	Wilson	TOLERANCE	Mason	DATE	05.08.2017
APPD:	Schumi			FINISH	Jamy		Sheet No.		1 from 2

# EDCON-COMPONENTS



## Ordering Informations

Serie	Front Shape	Connect Type	Lamp Color	Lamp Voltage	Crust Material	ROHS	Packing Style
<b>Q35093</b>	<b>F</b>	<b>1</b>	<b>R</b>	<b>0</b>	<b>S</b>	<b>R</b>	<b>S</b>

	<b>1= Solder Lug</b>		<b>0= without Resistor before LED</b>	<b>S= Stainless Steel</b>	<b>R= ROHS Conform</b>	<b>S= Standard Packing</b>
<b>F= Flat</b>		<b>R= Red</b>		<b>N= Nickel Plated Brass</b>	<b>N= NON ROHS Conform</b>	<b>I= Individual Packing</b>
		<b>G= Green</b>	<b>1= 6V AC/DC</b>	<b>G= Gold Plated Brass</b>		
		<b>Y= Yellow</b>	<b>2= 12V AC/DC</b>			
		<b>O= Orange</b>	<b>3= 24V AC/DC</b>			
		<b>B= Blue</b>	<b>4= 36V AC/DC</b>			
		<b>W= White</b>	<b>X= can we make by order</b>			

**12MM Anti-Vandal-INDICATOR**

Part No.: **Q35093**

DRW:	Jason	CHKD	Wilson	MATL:	Wilson	TOLERANCE	Mason	DATE	05.08.2017
APPD:	Schumi			FINISH	Jamy		Sheet No.		2 from 2

Customer: