



# DATA SHEET

## Omnidirectional Microfon

### Serie: Y24042

<b>Omnidirectional Microfon</b>
-------------------------------------

Serie No.:	<b>Y24042</b>
------------	---------------

DRW:	Jason	CHKD	Wilson	MATL:	Wilson	TOLERANCE	Mason	DATE	16.04.2013
APPD:	Schumi			FINISH	Jamy			Sheet No.	1 from 5

Customer:
-----------

# EDCON-COMPONENTS

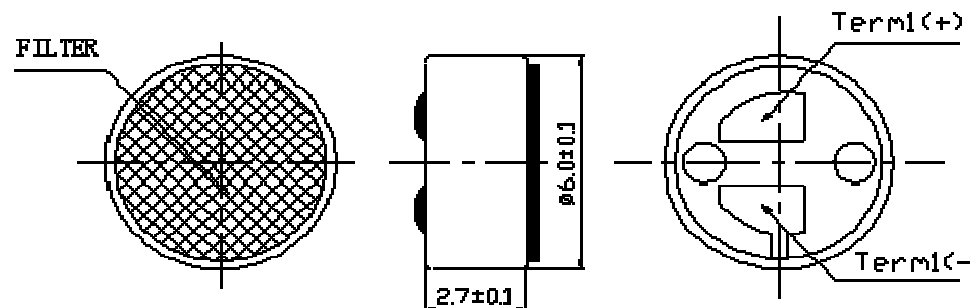


## Specifications

## Dimension

Impedance:	Less than 680 $\Omega$
Directivity:	Noise cancelling
Frequency:	20 ~ 16000Hz
Standard Operation Voltage:	1,5Volt
Current Consumption	Max. 0,5mA
Sensitivity reduction:	Sensitivity 3dB at 1,5V
S/N ratio	More than 60dB

Sensitivity: 1KHz, 0dB=1V/Pa  
 -47  $\pm$  3dB



<b>Omnidirectional Microfon</b>	
Part No.:	<b>Y24042</b>
Customer:	

DRW:	Jason	CHKD	Wilson	MATL:	Wilson	TOLERANCE	Mason	DATE	16.04.2013
APPD:	Schumi			FINISH	Jamy		Sheet No.	2 from 5	

[www.edcon-components.com](http://www.edcon-components.com)

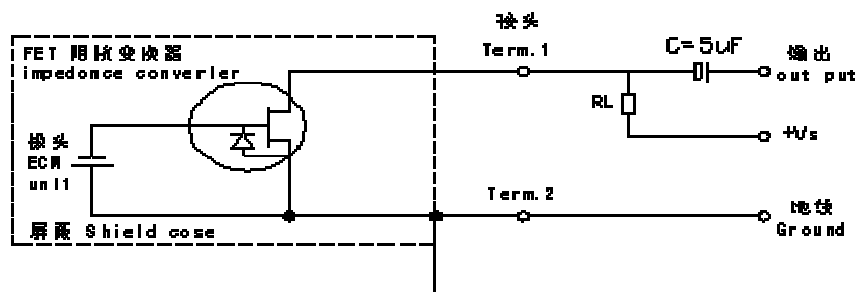
email: [info@edcon-components.com](mailto:info@edcon-components.com)

# EDCON-COMPONENTS

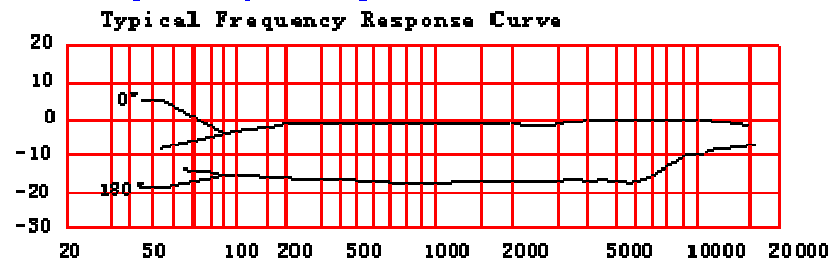


Schematic Diagramm

Frequency Responce



## Frequency Response



**Omnidirectional  
Microfon**

Part No.: **Y24042**

Customer:

DRW:	Jason	CHKD	Wilson	MATL:	Wilson	TOLERANCE	Mason	DATE	16.04.2013
APPD:	Schumi			FINISH	Jamy		Sheet No.	3 from 5	

# EDCON-COMPONENTS



## Ordering Informations

Serie	Selection table	Special function	Special function	ROHS	Packing Code					
Y24042	47	N	N	R	TU					

47= db	N= no special function	N= no special function	R= ROHS Conform	TU= Tube Packing
			N= NON ROHS Conform	TY= TRAY Packing
				IV= Individual Packing

<b>Omnidirectional Microfon</b>	
Part No.:	<b>Y24042</b>
Customer:	

DRW:	Jason	CHKD	Wilson	MATL:	Wilson	TOLERANCE	Mason	DATE	16.04.2013
APPD:	Schumi			FINISH	Jamy		Sheet No.		4 from 5



Soldering Profile Curve

Classification Reflow Profile (JEDEC J-STD-020C)



<b>Omnidirectional Microfon</b>	
Part No.:	<b>Y24042</b>
Customer:	

DRW:	Jason	CHKD	Wilson	MATL:	Wilson	TOLERANCE	Mason	DATE	16.04.2013
APPD:	Schumi			FINISH	Jamy		Sheet No.	5 from 5	