

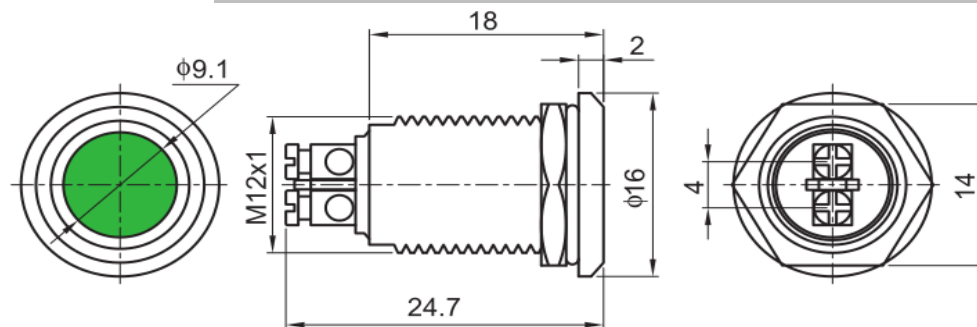
EDCON-COMPONENTS



Specifications

Voltage Range:	36VDC
Rated Current:	15mA
Type:	LED
Lifetime LED:	40000Hrs
The Crust Material	Nickel Plated Brass
IP Degree:	IP67
Color of LED	R G Y O B W
Terminal Style:	Screw-Terminal
Dielectric Strength:	1100VAC
Operating Temperature:	-20°C ~ +55°C
Panel Thickness:	1 ~ 10mm
Torque:	5-14Nm

Drawing



Material

Contact:	Silver Alloy
Lampshade:	PC
Body:	Nickel Plated Brass
Base:	PA66
ROHS:	Made to Order-Code

12MM Anti-Vandal-INDICATOR

Part No.: **Q35154**

Customer:

DRW:	Jason	CHKD:	Wilson	MATL:	Wilson	TOLERANCE:	Mason	DATE:	14.03.2016
APPD:	Schumi			FINISH:	Jamy		Sheet No.		1 from 2

www.edcon-components.com

email: info@edcon-components.com

EDCON-COMPONENTS



Ordering Informations

Serie	Front Shape	Contact Structure	Lamp Type	Connect Type	Lamp Color	Lamp Voltage	Crust Material	ROHS	Packing Style
Q35154	F	00	N	1	A	0	N	R	N

F= Flat	00= No Function	N= no Function		A= No Function	0= with 0R Resistor before LED	N= Nickel Plated Brass	R= ROHS Conform	N= White Carton
			2= Screw Terminal	R= Red		S= Stainless Steel	N= NON ROHS Conform	I= Individual Packing
				G= Green	1= 6V AC/DC			
				Y= Yellow	2= 12V AC/DC			
				O= Orange	3= 24V AC/DC			
				B= Blue	4= 36V AC/DC			
				W= White	X= can we make by order			
				P= Dual LED Red/Green	Y= Dual LED Green/Blue			
				Z= Dual LED Red/Blue				

12MM Anti-Vandal-INDICATOR	
Part No.:	Q35154
Customer:	

DRW:	Jason	CHKD	Wilson	MATL:	Wilson	TOLERANCE	Mason	DATE	14.03.2016
APPD:	Schumi			FINISH	Jamy		Sheet No.		2 from 2