

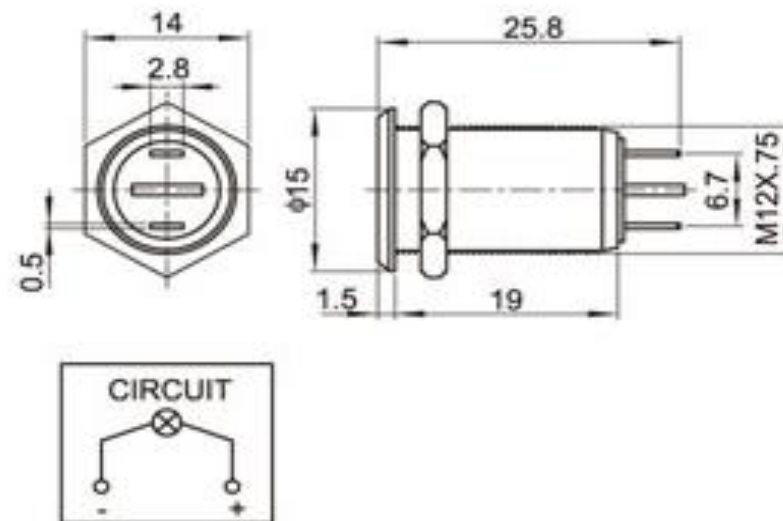
# EDCON-COMPONENTS



## Specifications

Voltage Range:	36VDC
Rated Current:	15mA
Type:	LED
Lifetime LED:	40000Hrs
The Crust Material	Nickel Plated Brass
IP Degree:	IP65
Color of LED	<b>R</b> <b>G</b> <b>Y</b> <b>O</b> <b>B</b> <b>W</b>
Terminal Style:	Pin Terminal ( 2,8x0,5mm)
Dielectric Strength:	1100VAC
Operating Temperature:	. -20°C ~ +55°C
Panel Thickness:	1 ~ 10mm
Torque:	5-14Nm

## Drawing



## Material

Contact:	Silver Alloy
Lampshade:	PC
Body:	Nickel Plated Brass
Base:	PA66
<b>ROHS:</b>	Made to Order-Code

**12MM Anti-Vandal-INDICATOR**

Part No.: **Q35140**

DRW:	Jason	CHKD:	Wilson	MATL:	Wilson	TOLERANCE:	Mason	DATE:	14.03.2016
APPD:	Schumi	FINISH:	Jamy			Sheet No.:			1 from 2

Customer:

[www.edcon-components.com](http://www.edcon-components.com)

email: [info@edcon-components.com](mailto:info@edcon-components.com)

# EDCON-COMPONENTS



## Ordering Informations

Serie	Front Shape	Contact Structure	Lamp Type	Connect Type	Lamp Color	Lamp Voltage	Crust Material	ROHS	Packing Style
<b>Q35140</b>	<b>F</b>	<b>00</b>	<b>N</b>	<b>1</b>	<b>A</b>	<b>0</b>	<b>N</b>	<b>R</b>	<b>N</b>

<b>F= Flat</b>	<b>00= No Function</b>	<b>N= no Function</b>	<b>1= Solder Lug</b>	<b>A= No Function</b>	<b>0= with 0R Resistor before LED</b>	<b>N= Nickel Plated Brass</b>	<b>R= ROHS Conform</b>	<b>N= White Carton</b>
				<b>R= Red</b>		<b>S= Stainless Steel</b>	<b>N= NON ROHS Conform</b>	<b>I= Individual Packing</b>
				<b>G= Green</b>	<b>1= 6V AC/DC</b>			
				<b>Y= Yellow</b>	<b>2= 12V AC/DC</b>			
				<b>O= Orange</b>	<b>3= 24V AC/DC</b>			
				<b>B= Blue</b>	<b>4= 36V AC/DC</b>			
				<b>W= White</b>	<b>X= can we make by order</b>			
				<b>P= Dual LED Red/Green</b>	<b>Y= Dual LED Green/Blue</b>			
				<b>Z= Dual LED Red/Blue</b>				

<b>12MM Anti-Vandal-INDICATOR</b>	
Part No.:	<b>Q35140</b>
Customer:	

DRW:	Jason	CHKD	Wilson	MATL:	Wilson	TOLERANCE	Mason	DATE	14.03.2016
APPD:	Schumi			FINISH	Jamy		Sheet No.		2 from 2