

# EDCON-COMPONENTS



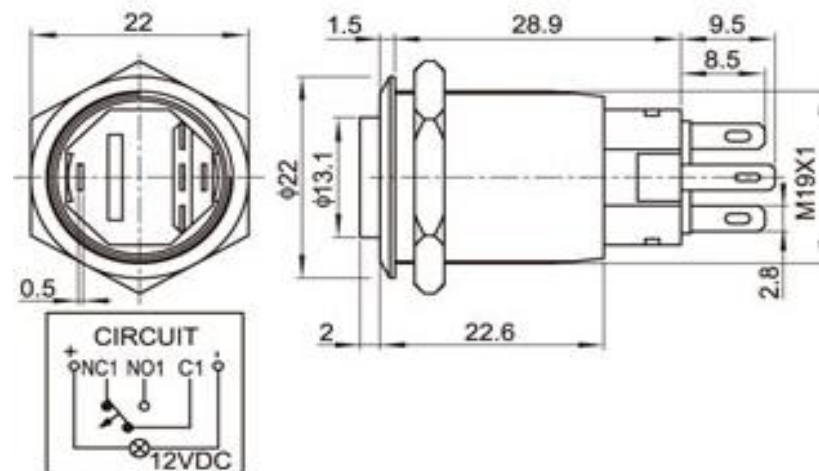
## Specifications

Switch Rating:	5A/250VAC
Contact Configuration:	1NONC/2NO2NC
Operating Type:	Momentary/Self-Locking
IP-Degree:	IP67
Crust Material:	Stainless Steel/Nickel plated brass
Terminal Type:	Solder Lug (2,8x0,5mm)
Switching:	ON / OFF
Contact Resistance:	≤ 50mΩ
Insulation Resistance:	≥ 1000MΩ
Dielectric Strength:	2000VAC
Operating Temperature:	-20°C ~ +55°C
Mechanical Life:	500.000 cycles
Electrical Life:	50.000 cycles
Panel Thickness:	1 ~ 10mm
Torque:	5 ~ 14Nm
Operating Pressure:	About 4N
Operating Distance:	About 2,5Nm

## Material

Contact:	Silver Alloy						
Button:	Stainless Steel						
Body:	Stainless Steel						
Base:	PBT						
<b>ROHS:</b>	Made to Order-Code						
Type:	Illuminated (LED)						
Color:	<table border="0"> <tr> <td><b>R</b></td> <td><b>Y</b></td> <td><b>O</b></td> <td><b>G</b></td> <td><b>B</b></td> <td><b>W</b></td> </tr> </table>	<b>R</b>	<b>Y</b>	<b>O</b>	<b>G</b>	<b>B</b>	<b>W</b>
<b>R</b>	<b>Y</b>	<b>O</b>	<b>G</b>	<b>B</b>	<b>W</b>		
Rated Voltage:	AC/DC 6V      AC/DC 12V						
Rated Current:	15mA						
Lifetime:	40000Hrs						

## Drawing



Current Limiting Resistance Configuration Table

Operating Voltage (U)	6V	12V	24V	36V
<b>R</b> <b>Y</b> <b>O</b>	210Ω, 1/4W	510Ω, 1/4W	1,2KΩ, 1/4W	2,2KΩ, 1/4W
<b>G</b> <b>B</b> <b>W</b>	160Ω, 1/4W	470Ω, 1/4W	1,2KΩ, 1/4W	2,2KΩ, 1/4W

Formula	
R=	$\frac{U - U_e}{I_e}$

**19MM Anti-Vandal-Switch**  
Part No.: **Q35121**

DRW:	Jason	CHKD	Wilson	MATL:	Wilson	TOLERANCE	Mason	DATE	06.06.2019	Customer:
APPD:	Schumi			FINISH	Jamy		Sheet No.	1 from 3		

# EDCON-COMPONENTS



## Visual Effect of Surface



Nickel - plated brass  
(Satin surface)



Stainless steel (Spiral surface)



Gold - plated brass (Satin surface)

**19MM Anti-Vandal-Switch**

Part No.: **Q35121**

DRW:	Jason	CHKD	Wilson	MATL:	Wilson	TOLERANCE	Mason	DATE	06.06.2019	Customer:
APPD:	Schumi			FINISH	Jamy		Sheet No.	2 from 3		

# EDCON-COMPONENTS



## Ordering Informations

Serie	Front Shape	Contact Structure	Lamp Type	Connect Type	Lamp Color	Lamp Voltage	Crust Material	Engraving Options	ROHS	Packing Style
<b>Q35121</b>	<b>H</b>	<b>11</b>	<b>D</b>	<b>1</b>	<b>A</b>	<b>0</b>	<b>S</b>	<b>00</b>	<b>R</b>	<b>N</b>

<b>H= High</b>	<b>11=</b> 1NO1NC Momentary			<b>A=</b> No Function	<b>0=</b> with 0R Resistor before LED	<b>S=</b> Stainless Steel	<b>00=</b> No function	<b>R=</b> ROHS Conform	<b>N=</b> White Carton			
	<b>22=</b> 2NO2NC Momentary	<b>D=</b> DOT-Size	<b>1=</b> Solder Lug	<b>R=</b> Red						<b>N=</b> Nickel Plated Brass	<b>G=</b> Gold Plated Brass	
	<b>33=</b> 1NO1NC Latching function			<b>G=</b> Green								<b>1=</b> 6V AC/DC
	<b>44=</b> 2NO2NC Latching function			<b>Y=</b> Yellow								
			<b>O=</b> Orange	<b>3=</b> 24V AC/DC								
			<b>B=</b> Blue		<b>4=</b> 36V AC/DC							
			<b>W=</b> White			<b>5=</b> 48V AC/DC						
				<b>6=</b> 110V AC/DC								
					<b>7=</b> 230V AC/DC							
						<b>X=</b> can we make by order						

**19MM Anti-Vandal-Switch**  
Part No.: **Q35121**

DRW:	Jason	CHKD	Wilson	MATL:	Wilson	TOLERANCE	Mason	DATE	06.06.2019	Customer:
APPD:	Schumi			FINISH	Jamy		Sheet No.	3 from 3		

[www.edcon-components.com](http://www.edcon-components.com)

email: [info@edcon-components.com](mailto:info@edcon-components.com)