

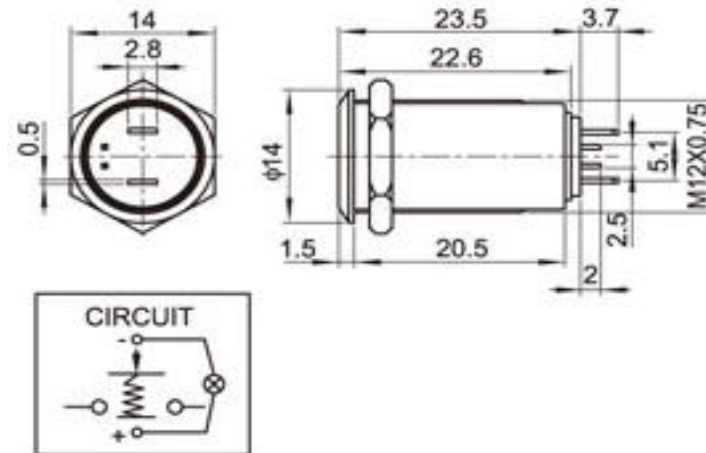
# EDCON-COMPONENTS



## Specifications

Switch Rating:	≤2A / 36VDC
Contact Configuration:	1NO
Operating Type:	Self-Locking
IP-Degree:	IP67
Crust Material:	look by order
Terminal Type:	Solder Lug (2,8x0,5mm)
Switching:	ON (Self-Locking)
Contact Resistance:	≤ 50mΩ
Insulation Resistance:	≥ 1000MΩ
Dielectric Strength:	2000VAC 1Min.
Operating Temperature:	. -20°C ~ +55°C
Mechanical Life:	500.000 cycles
Electrical Life:	50.000 cycles
Panel Thickness:	1 ~ 10mm
Torque:	5 ~ 14Nm
Operating Pressure:	About 3~6N
Operating Distance:	About 2,5Nm

## Drawing



## Material

Contact:	Silver Alloy
Button:	Made by Order
Body:	PBT
Base:	Made to Order-Code
<b>ROHS:</b>	Illuminated (LED)
Type:	<b>R</b> <b>Y</b> <b>O</b> <b>G</b> <b>B</b> <b>W</b>
Color:	<b>R</b> <b>Y</b> <b>O</b> <b>G</b> <b>B</b> <b>W</b>
Rated Voltage:	AC/DC 6V      AC/DC 12V
Rated Current:	15mA
Lifetime:	40000Hrs

Current Limiting  
Resistance  
Configuration Table

Operating Voltage (U)	6V	12V	24V	36V
<b>R</b> <b>Y</b> <b>O</b>	210Ω, 1/4W	510Ω, 1/4W	1,2KΩ, 1/4W	2,2KΩ, 1/4W
<b>G</b> <b>B</b> <b>W</b>	160Ω, 1/4W	470Ω, 1/4W	1,2KΩ, 1/4W	2,2KΩ, 1/4W

Formula	
R=	$\frac{U - U_e}{I_e}$

**12MM Anti-Vandal-Switch**

Part No.: **Q35065**

DRW:	Jason	CHKD	Wilson	MATL:	Wilson	TOLERANCE	Mason	DATE	05.06.2019
APPD:	Schumi			FINISH	Jamy		Sheet No.		1 from 3

Customer:

# EDCON-COMPONENTS



## Visual Effect of Surface



Nickel - plated brass  
(Satin surface)



Stainless steel (Spiral surface)



Gold - plated brass (Satin surface)

Order Code	 A4	 A3	 A2	 A1
Order Code	 A8	 A7	 A6	 A5
Order Code	 B3	 B2	 B1	 A9
Order Code	 Bx	 Bx	 B5	 B4

**12MM Anti-Vandal-Switch**

Part No.: **Q35065**

Customer:

DRW:	Jason	CHKD	Wilson	MATL:	Wilson	TOLERANCE	Mason	DATE	05.06.2019
APPD:	Schumi			FINISH	Jamy		Sheet No.	2 from 3	

# EDCON-COMPONENTS



## Ordering Informations

Serie	Front Shape	Contact Structure	Lamp Type	Connect Type	Lamp Color	Lamp Voltage	Crust Material	Engraving Options	ROHS	Packing Style
<b>Q35065</b>	<b>F</b>	<b>10</b>	<b>D</b>	<b>1</b>	<b>A</b>	<b>0</b>	<b>S</b>	<b>00</b>	<b>R</b>	<b>N</b>

<b>F= Flat</b>		<b>D= DOT-Size</b>		<b>A= No Function</b>	<b>0= with 0R Resistor before LED</b>	<b>S= Stainless Steel</b>	<b>00= No function</b>	<b>R= ROHS Conform</b>	<b>N= White Carton</b>
				<b>R= Red</b>		<b>N= Nickel Plated Brass</b>		<b>N= NON ROHS Conform</b>	<b>I= Individual Packing</b>
			<b>1= Solder Lug</b>	<b>G= Green</b>	<b>1= 6V AC/DC</b>	<b>G= Gold Plated Brass</b>			
				<b>Y= Yellow</b>	<b>2= 12V AC/DC</b>				
				<b>O= Orange</b>	<b>3= 24V AC/DC</b>				
				<b>B= Blue</b>	<b>4= 36V AC/DC</b>				
				<b>W= White</b>	<b>X= can we make by order</b>				
			<b>10=1NO (Self-Locking)</b>						

**12MM Anti-Vandal-Switch**  
Part No.: **Q35065**

DRW:	Jason	CHKD	Wilson	MATL:	Wilson	TOLERANCE	Mason	DATE	05.06.2019	Customer:
APPD:	Schumi			FINISH	Jamy		Sheet No.	3 from 3		