

EDCON-COMPONENTS



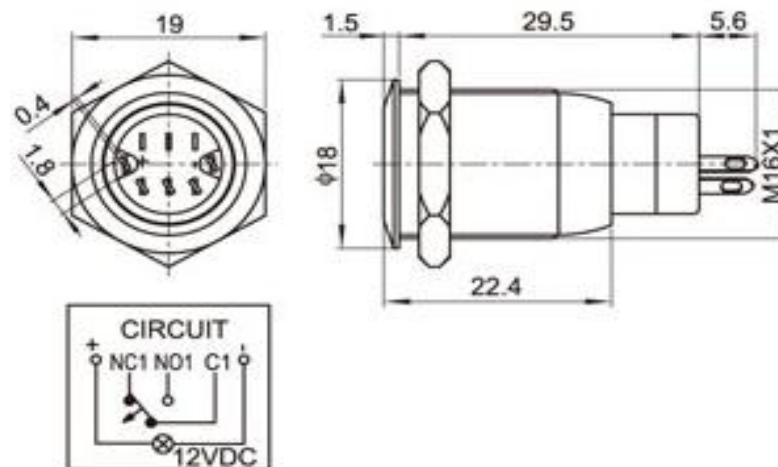
Specifications

Switch Rating:	3A/250VAC
Contact Configuration:	1NO1NC/2NO2NC
Operating Type:	Resettable/Self-Locking (Order-No.)
IP-Degree:	IP67
Crust Material:	Stainless Steel / Nickel Plated Brass
Terminal Type:	Solder Lug (1,8x0,4mm)
Switching:	ON / OFF
Contact Resistance:	≤ 50mΩ
Insulation Resistance:	≥ 1000MΩ
Dielectric Strength:	2000VAC
Operating Temperature:	-20°C ~ +55°C
Mechanical Life:	500.000 cycles
Electrical Life:	50.000 cycles
Panel Thickness:	1 ~ 10mm
Torque:	5 ~ 14Nm
Operating Pressure:	About 2,5 ~ 4N
Operating Distance:	About 2,8Nm

Material

Contact:	Silver Alloy						
Button:	Stainless Steel / Nickel Plated						
Body:	Stainless Steel / Nickel Plated						
Base:	PBT						
ROHS:	Made to Order-Code						
Type:	Illuminated (LED)						
Color:	<table border="0"> <tr> <td>R</td> <td>Y</td> <td>O</td> <td>G</td> <td>B</td> <td>W</td> </tr> </table>	R	Y	O	G	B	W
R	Y	O	G	B	W		
Rated Voltage:	AC/DC 6V AC/DC 12V						
Rated Current:	15mA						
Lifetime:	40000Hrs						

Drawing



Current Limiting Resistance Configuration Table

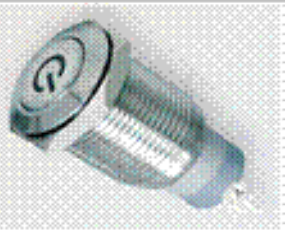
Operating Voltage (U)	6V	12V	24V	36V
R Y O	210Ω, 1/4W	510Ω, 1/4W	1,2KΩ, 1/4W	2,2KΩ, 1/4W
G B W	160Ω, 1/4W	470Ω, 1/4W	1,2KΩ, 1/4W	2,2KΩ, 1/4W

Formula	
R=	$\frac{U - U_e}{I_e}$

16MM Anti-Vandal-Switch
Part No.: **Q35054**

DRW:	Jason	CHKD	Wilson	MATL:	Wilson	TOLERANCE	Mason	DATE	06.06.2019	Customer:
APPD:	Schumi			FINISH	Jamy		Sheet No.	1 from 3		

EDCON-COMPONENTS



Visual Effect of Surface



Nickel - plated brass
(Satin surface)



Stainless steel (Spiral surface)



Gold - plated brass (Satin surface)

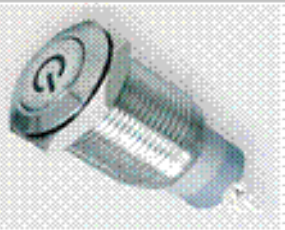
16MM Anti-Vandal-Switch	
Part No.:	Q35054
Customer:	

DRW:	Jason	CHKD	Wilson	MATL:	Wilson	TOLERANCE	Mason	DATE	06.06.2019
APPD:	Schumi			FINISH	Jamy		Sheet No.		2 from 3

www.edcon-components.com

email: info@edcon-components.com

EDCON-COMPONENTS



Ordering Informations

Serie	Front Shape	Contact Structure	Lamp Type	Connect Type	Lamp Color	Lamp Voltage	Crust Material	Engraving Options	ROHS	Packing Style
Q35054	F	11	C	1	A	0	S	B1	R	N

F= Flat	11= 1NO1NC Momentary 22= 2NO2NC Momentary 33= 1NO1NC Latching function 44= 2NO2NC Latching function	C= Character illuminated	1= Solder Lug	A= No Function R= Red G= Green Y= Yellow O= Orange B= Blue W= White	0= with 0R Resistor before LED 1= 6V AC/DC 2= 12V AC/DC 3= 24V AC/DC 4= 36V AC/DC X= can we make by order Y= Dual LED Green/Blue	S= Stainless Steel N= Nickel Plated Brass G= Gold Plated Brass	B1=Power-Icon	R= ROHS Conform N= NON ROHS Conform	N= White Carton I= Individual Packing
----------------	------------------------------------------------------------------------------------------------------------------------------------------------------------------------------------	---------------------------------	----------------------	----------------------------------------------------------------------------------------------------------------------------------------------------------------	-------------------------------------------------------------------------------------------------------------------------------------------------------------------------------------------------------------	---------------------------------------------------------------------------------------------------	----------------------	----------------------------------------------------------	------------------------------------------------------------

16MM Anti-Vandal-Switch

Part No.: **Q35054**

DRW:	Jason	CHKD	Wilson	MATL:	Wilson	TOLERANCE	Mason	DATE	06.06.2019	Customer:
APPD:	Schumi			FINISH	Jamy		Sheet No.	3 from 3		

www.edcon-components.com

email: info@edcon-components.com