

# DATA SHEET

## BNC-Female PCB Straight

**Serie: T55S1157**

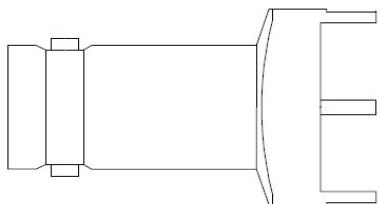
**BNC-Female PCB  
Straight**

Serie No.: **T55S1157**

DRW:	Jason	CHKD	Wilson	MATL:	Wilson	TOLERANCE	Mason	DATE	11.02.2023
APPD:	Schumi			FINISH	Jamy		Sheet No.	1 from 4	

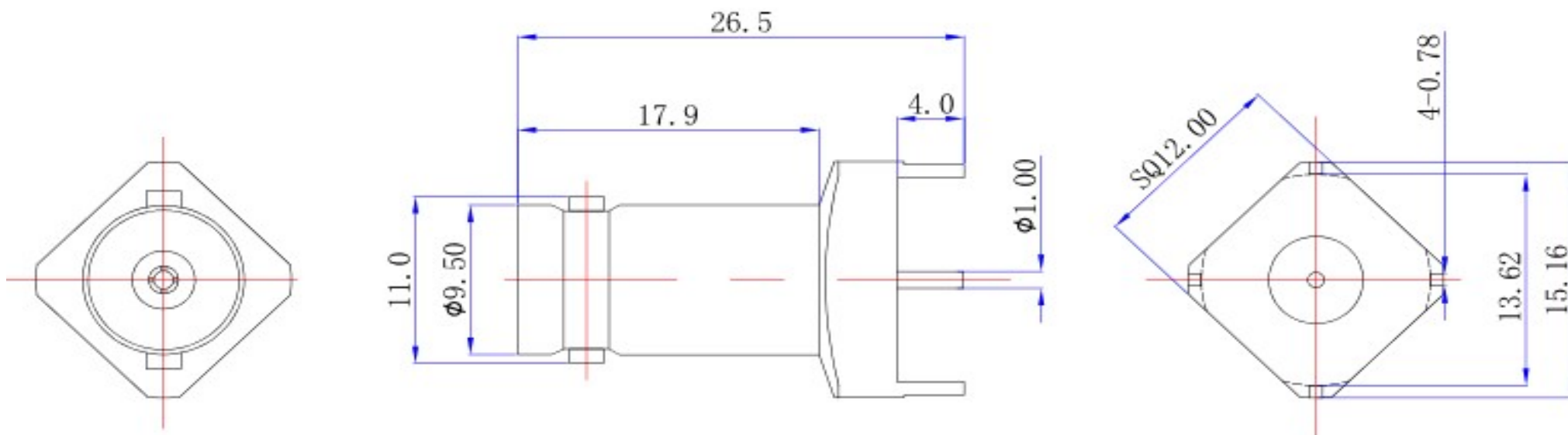
Customer:

# EDCON-COMPONENTS



## Specifications

Center Contact:	CuBe2PB / Finish Ni2AU0.8
Outer Contact:	Cu Zn 39PB3 / Finish Cu2Ni5
Soldering Parts:	Cu Zn 39PB3 / Finish CuSnZn3
Insulator:	PTFE
Impedance:	50 Ω
Mating Life:	>500 cycles
Operating Temperature Range:	-.55°C to + 155°C



## BNC-Female PCB Straight

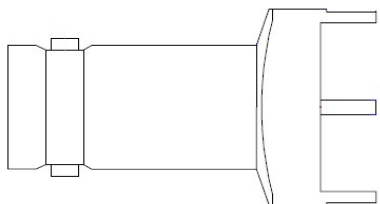
Part No.: **T55S1157**

DRW:	Jason	CHKD	Wilson	MATL:	Wilson	TOLERANCE	Mason	DATE	11.02.2023	Customer:
APPD:	Schumi			FINISH	Jamy		Sheet No.	2 from 4		

[www.edcon-components.com](http://www.edcon-components.com)

email: [info@edcon-components.com](mailto:info@edcon-components.com)

# EDCON-COMPONENTS



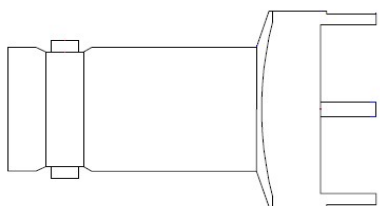
## Ordering Informations

Serie	Impedance	Special function	Special function	Special function	ROHS	Packing Code				
<b>T55S1157</b>	<b>50</b>	<b>0</b>	<b>0</b>	<b>0</b>	<b>R</b>	<b>BU</b>				

<b>50=</b> 50 Ohm	<b>0=</b> no special function	<b>0=</b> no special function	<b>0=</b> no special function	<b>R=</b> ROHS Conform	<b>BU=</b> Bulk Ware
				<b>N=</b> NON ROHS Conform	<b>TY=</b> TRAY Packing
					<b>IV=</b> Individual Packing

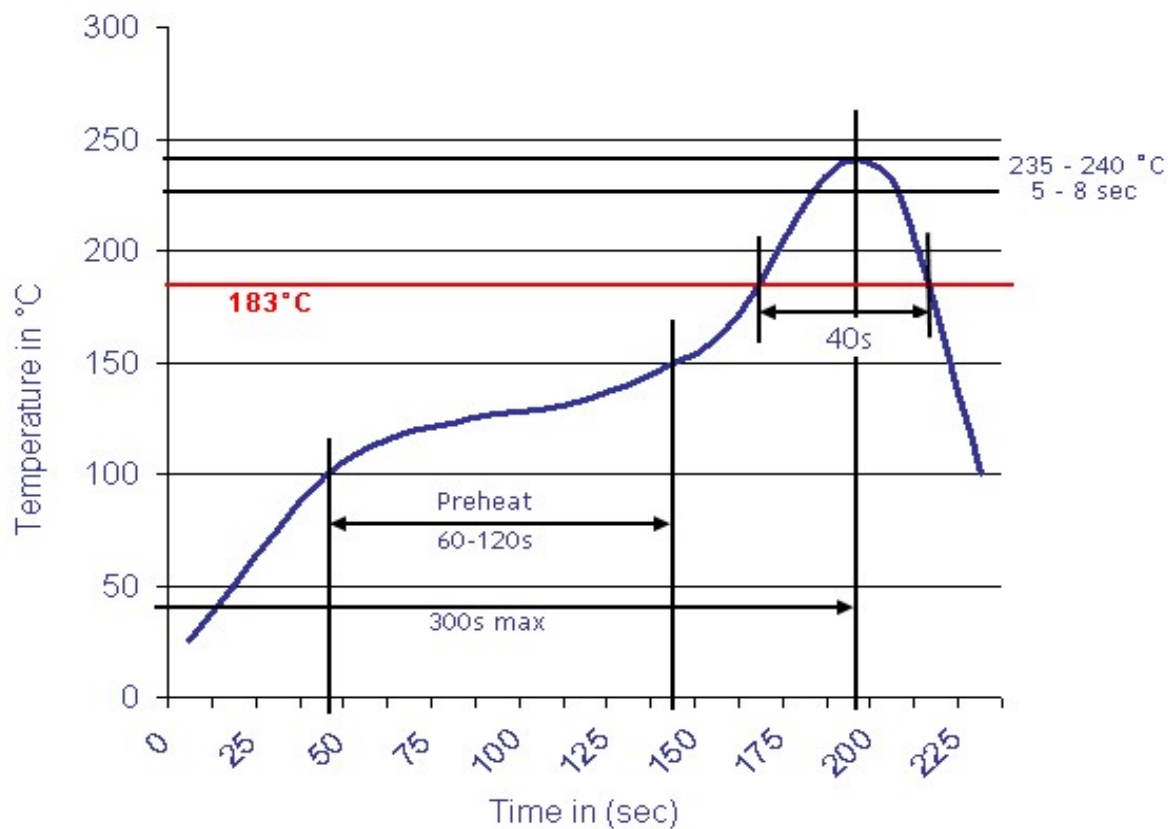
<b>BNC-Female PCB Straight</b>
Part No.: <b>T55S1157</b>
Customer:

DRW:	Jason	CHKD	Wilson	MATL:	Wilson	TOLERANCE	Mason	DATE	11.02.2023
APPD:	Schumi			FINISH	Jamy		Sheet No.		3 from 4



Soldering Profile Curve

Classification Reflow Profile (JEDEC J-STD-020C)



<b>BNC-Female PCB Straight</b>	
Part No.:	<b>T55S1157</b>
Customer:	

DRW:	Jason	CHKD:	Wilson	MATL:	Wilson	TOLERANCE:	Mason	DATE:	11.02.2023
APPD:	Schumi			FINISH:	Jamy		Sheet No.		4 from 4