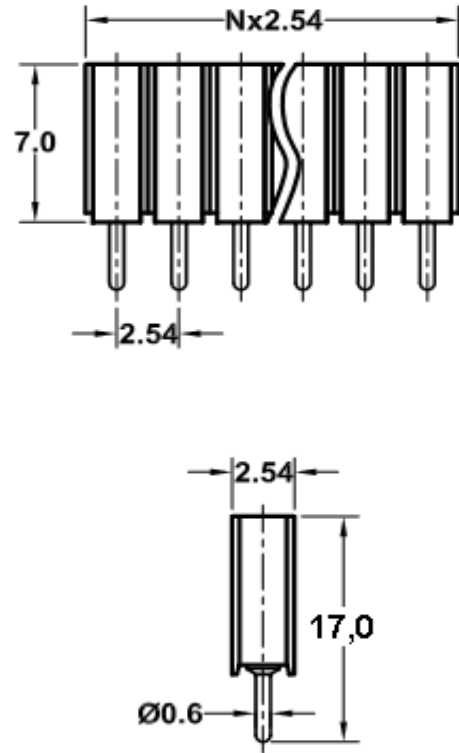


### Technical Specification

Insulator:	Black glass filled polyester PPS-GF-30-FR
Flammability:	UL 94V-0
Sleeve:	Brass CuZn 36Pb3 (36000)
Contact Clip (4finger):	Beryllium Copper (C17200)
Mating Pin: ( Ø )	0,70 to 0,9mm Square 0,64
Forces:	polished steel gauge(Ø)0,76mm
.-Insertion:	1,2N typ.
.-Withdrawel:	0,6N typ.
Mechanical Life:	min 500 cycles
Rated Current:	3A
Contact Resistance:	max. 10m Ohm
Dielectric Strength:	min 1000V rms
Maximal position of deliver:	2
Maximal position of deliver:	40

### Technical Drawing



### Ordering Information

Serie	No. of Pos.	Solder Pin Plating	Inner Clip Plating	ROHS	Packing
<b>T40120</b>	<b>40</b>	<b>A</b>	<b>3</b>	<b>R</b>	<b>B1</b>

<b>2 ~ 40</b>	<b>A=</b> Tin 150µ" (Standard)	<b>1=</b> Tin 150µ" <b>2=</b> Tin 200µ"	<b>R=</b> ROHS conform <b>N=</b> NON ROHS conform	<b>B1=</b> Bulk 100PCS <b>TR =</b> Tape/Reel w. Pic and Place Pad <b>TU =</b> Tupe w. Pic and Place Pad
	<b>B=</b> Tin 200µ"	<b>3=</b> GF (Standard)		
	<b>C=</b> GF	<b>4=</b> Gold 2µ"		
	<b>D=</b> Gold 2µ"	<b>5=</b> Gold 3µ"		
	<b>E=</b> Gold 3µ"	<b>6=</b> Gold 10µ"		
	<b>F=</b> Gold 10µ"	<b>7=</b> Gold 15µ"		
	<b>G=</b> Gold 15µ"	<b>8=</b> Special		
	<b>H=</b> Special			

**Machined Contact Pitch  
2,54mm**

Part No.: **T40120**

Customer:

DRW:	Jason	CHKD	Jules	MATL:	Wu	DATE	23.04.2017
APPD:	Join			FINISH	Shieh	Sheet	1 from 1