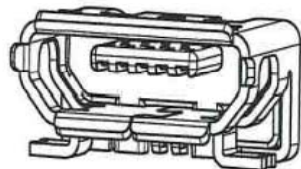


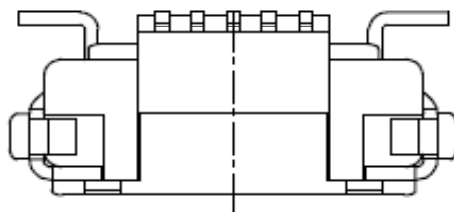
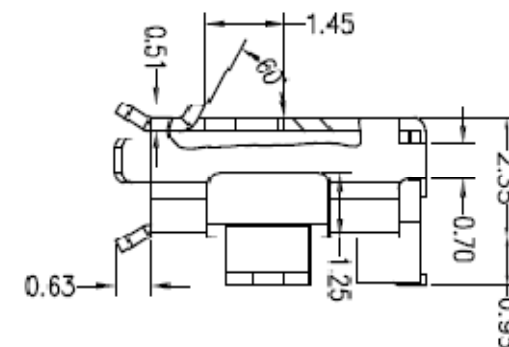
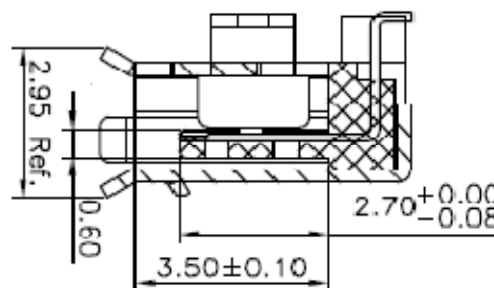
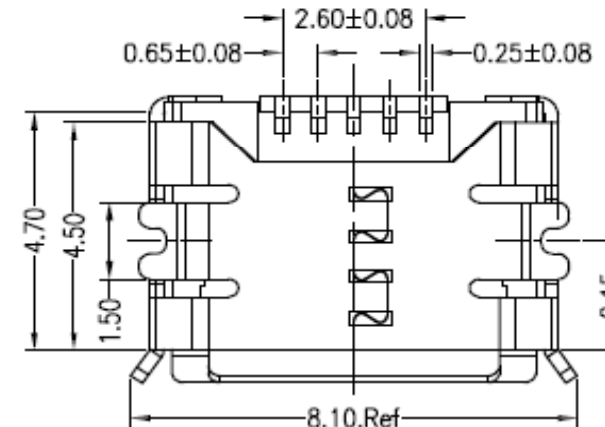
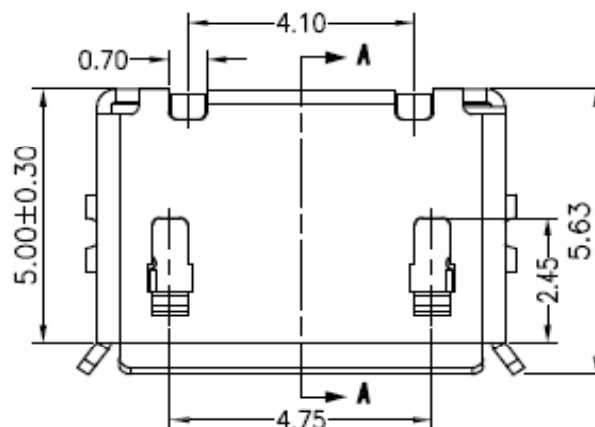
# EDCON-COMPONENTS



## Specifications

Voltage Rating:	30 VAC
Current Rating:	Pin1,5 =1,8A /Pin2,3,4 1,0A max.
Operating Temperature:	- 30°C to + 80°C
Contact Resistance:	30m Ohm max.
Withstanding Voltage:	750VAC min.
Insulation Resistance:	>100 M Ohm
Totla Mating force:	3,57Kgf. Max.
Material Housing:	
Insulator :	LCP
Color:	Black
Contact Material:	Copper Alloy 0,15mm
Contact Type:	Stamped
Contact Plating:	Gold plated like order code
Shielding:	Brass Ni plated
Lifetime:	1500 cycles
Soldering Process:	Wafer only

## Drawing ( dimensions all into mm)



Unless otherwise specified Tolerances (mm)			
x.x	x.xx	x.xxx	Angle
± 0,40	± 0,25	± 0,15	± 3°
TOLERANCE	Mason	DATE	18.12.2017
	Sheet No.		1 from 3

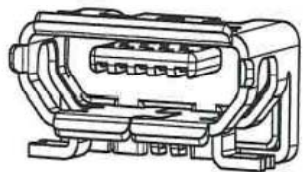
**SMT Micro USB Connector  
Type B (0,9mm)**

Part No.: **T64122**

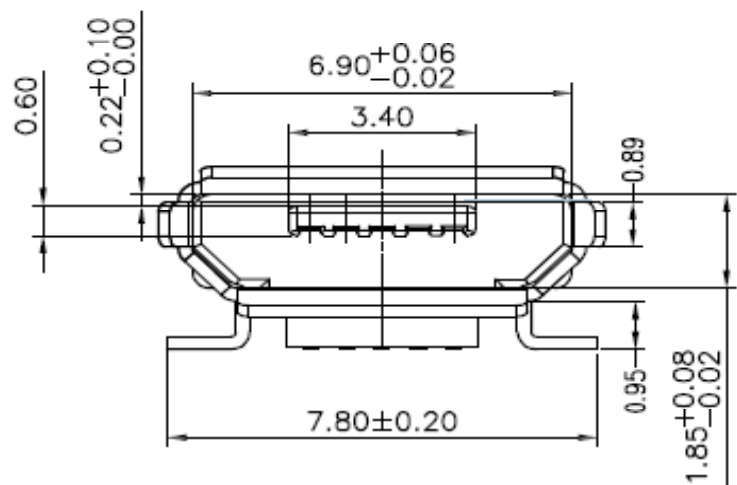
Customer:

DRW:	Jason	CHKD	Wilson	MATL:	Wilson				
APPD:	Schumi			FINISH	Jamy				

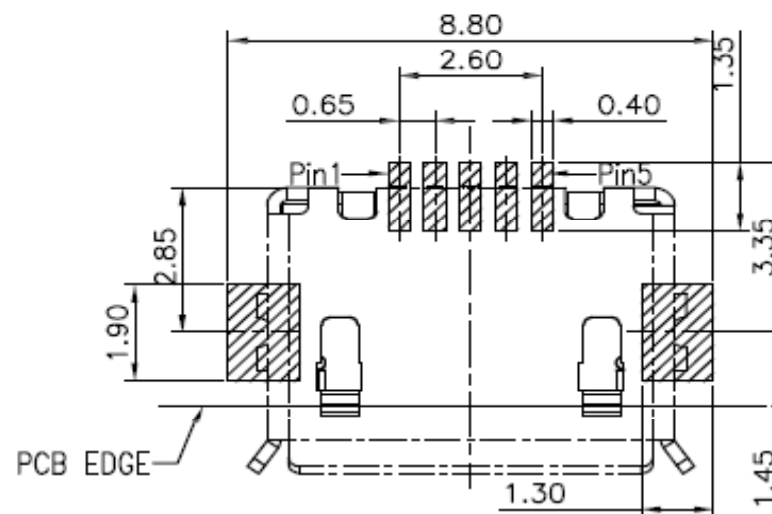
# EDCON-COMPONENTS



## Drawing ( dimensions all into mm)



## PCB Layout



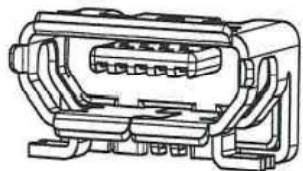
**SMT Micro USB Connector  
Type B (0,9mm)**

Part No.: **T64122**

Customer:

DRW:	Jason	CHKD	Wilson	MATL:	Wilson	TOLERANCE	Mason	DATE	18.12.2017
APPD:	Schumi			FINISH	Jamy		Sheet No.	2 from 3	

# EDCON-COMPONENTS



## Ordering Informations

Serie	Color Inside	Shell Material	Insulator Material	Contact Material	Contact Plating	Special function	Packing	Packing		
<b>T64122</b>	<b>BK</b>	<b>B</b>	<b>L</b>	<b>CA</b>	<b>G0</b>	<b>0</b>	<b>R</b>	<b>TR</b>		

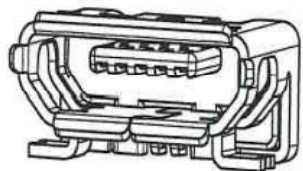
<b>BK=</b> Black Color	<b>B=</b> Brass			<b>G0=</b> Gold Flash (Standard)	<b>0=</b> without Post	<b>R=</b> ROHS conform <b>N=</b> NON ROHS conform	<b>BU=</b> Bulk Ware <b>TR=</b> Tape Reel-Pack.
		<b>L=</b> LCP	<b>CA=</b> Copper Alloy	<b>GA=</b> 3μ Gold			
				<b>GB=</b> 5μ Gold			
				<b>GC=</b> 10μ Gold			<b>IV=</b> Individual Packing
				<b>GD=</b> 15μ Gold			
				<b>GE=</b> 30μ Gold			

**SMT Micro USB Connector  
Type B (0,9mm)**

Part No.: **T64122**

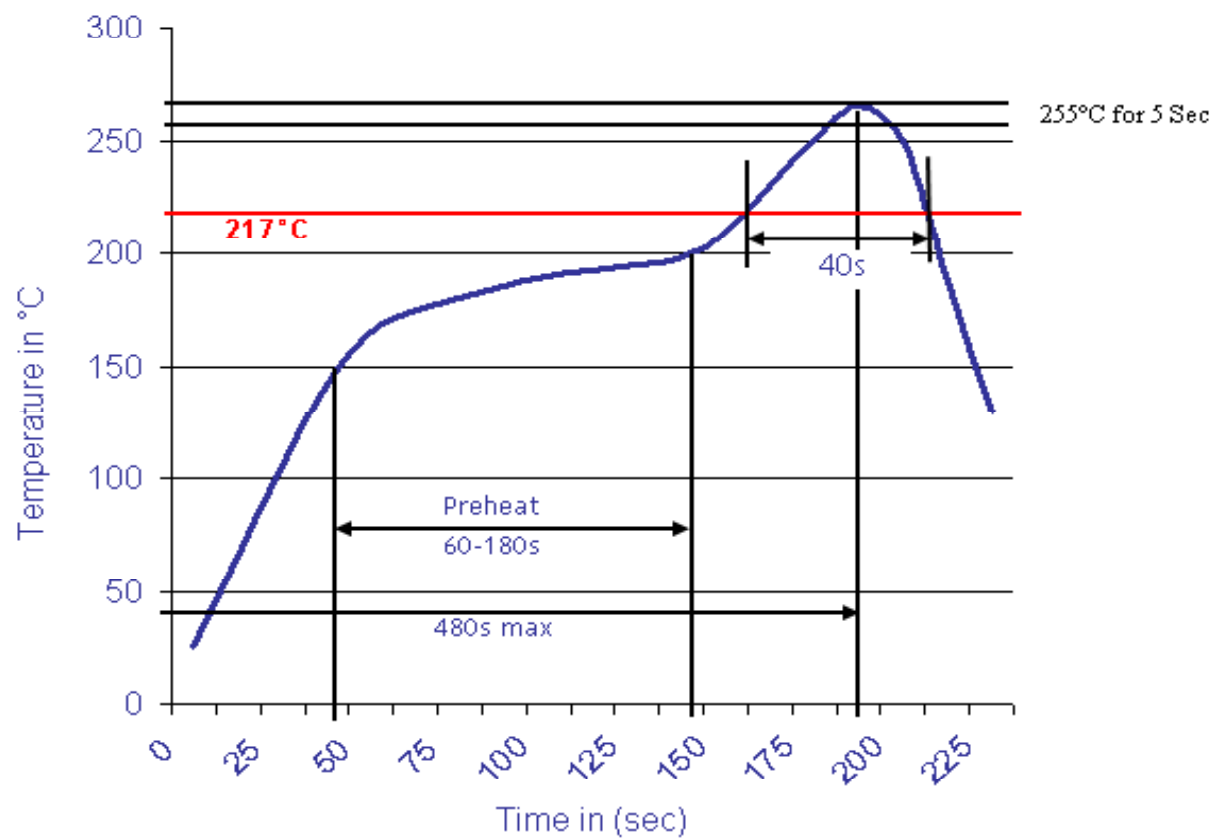
DRW:	Jason	CHKD	Wilson	MATL:	Wilson	TOLERANCE	Mason	DATE	18.12.2017
APPD:	Schumi			FINISH	Jamy		Sheet No.		2 from 3

Customer:



Soldering Profile Curve

Classification Reflow Profile (JEDEC J-STD-020C)



<b>SMT Micro USB Connector Type B (0,9mm)</b>	
Part No.:	<b>T64122</b>
Customer:	

DRW:	Jason	CHKD	Wilson	MATL:	Wilson	TOLERANCE	Mason	DATE	18.12.2017
APPD:	Schumi			FINISH	Jamy		Sheet No.	3 from 3	