

Data Sheet

Wire Protector Terminal Block

Pitch: 5,00 mm

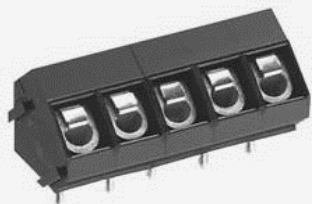
Serie: A12L066

Customer Information for special Item

EDCON Customer : 0

Customer Version No. : 0

EDCON-COMPONENTS



Technical Description

Drawing (Dimension in mm)

Electrical

Rated Voltage	300Volt
Rated Current	15A
Wire Range	0,2 ~ 2,0mm ²
Wire Range AWG-Size	14 ~ 22
Withstanding Voltage	2,0KV Peak
Insulation Resistance	≥5000MΩ / DC500V

Mechanical

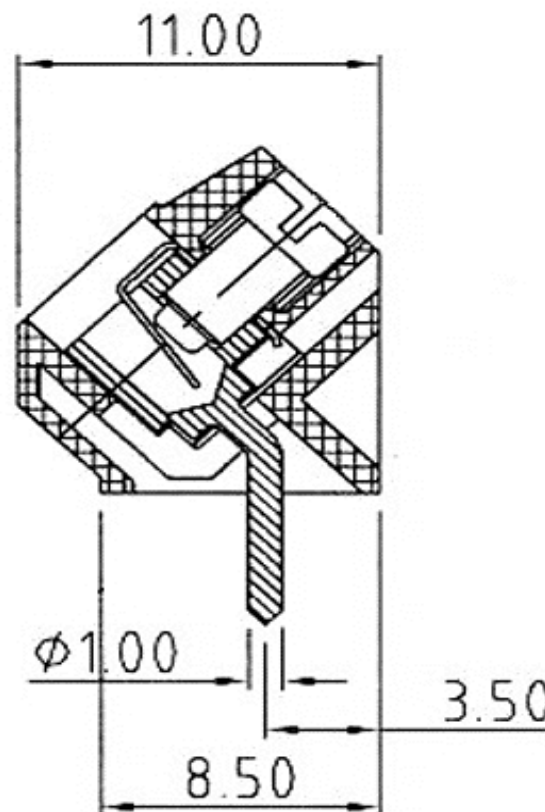
Operating Temperature	-33°C ~ +105°C
Wire Strip Length	8-9mm
Srew-Torque Value:	3.5 lbf-in

Dimensions

Pitch (mm)	5,00
Poles	2 ~ 24 Pos.

Materials

Terminal Housing	Thermoplastic, UL94V-0
------------------	------------------------

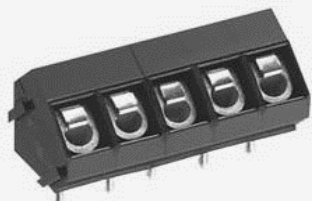


Wire Protector Terminal Block

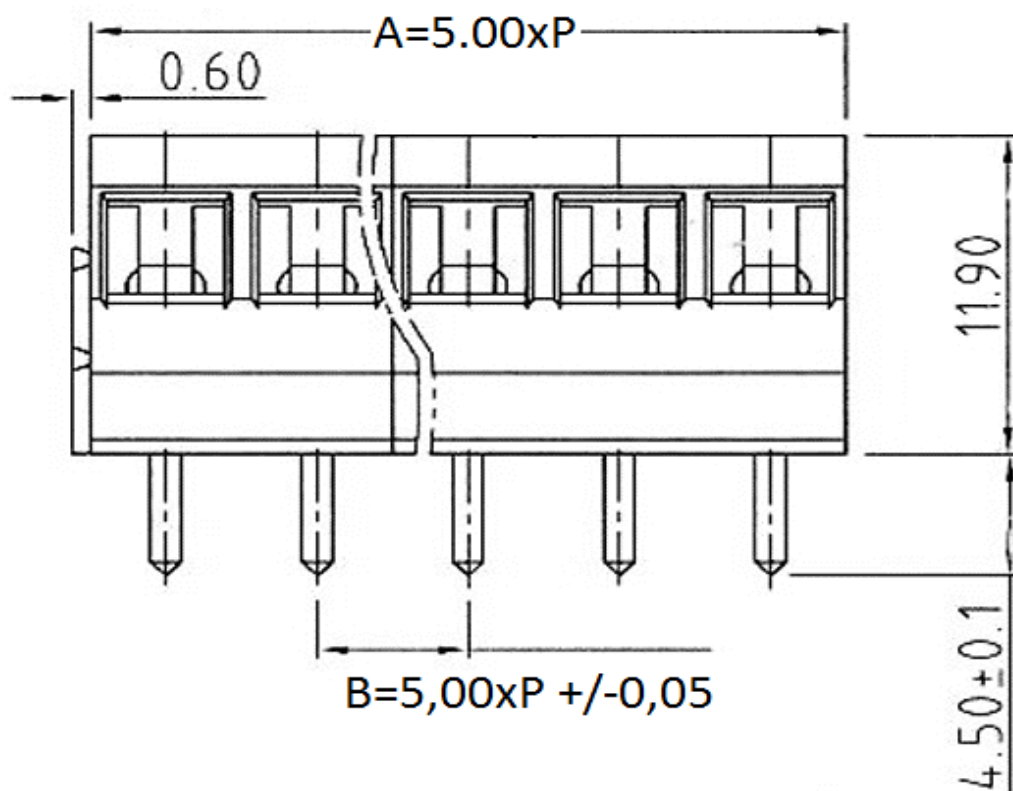
Part No.: **A12L066**

DRW:	Jason	CHKD	Wilson	MATL:	Wilson	TOLERANCE	Mason	DATE	16.10.2012	Customer:
APPD:	Schumi			FINISH	Jamy		Sheet No.	1 from 4		

EDCON-COMPONENTS



Dimension Tolerance (mm)



No. of Pos.	A	Tol. A	B	Tol. B
02	10,00	$\pm 0,10$	5,00	$\pm 0,05$
03	15,00	$\pm 0,10$	10,00	$\pm 0,05$
04	20,00	$\pm 0,10$	15,00	$\pm 0,05$
05	25,00	$\pm 0,10$	20,00	$\pm 0,05$
06	30,00	$\pm 0,10$	25,00	$\pm 0,05$
07	35,00	$\pm 0,10$	30,00	$\pm 0,05$
08	40,00	$\pm 0,10$	35,00	$\pm 0,05$
09	45,00	$\pm 0,20$	40,00	$\pm 0,10$
10	50,00	$\pm 0,20$	45,00	$\pm 0,10$
11	55,00	$\pm 0,20$	50,00	$\pm 0,10$
12	60,00	$\pm 0,20$	55,00	$\pm 0,10$
13	65,00	$\pm 0,20$	60,00	$\pm 0,10$
14	70,00	$\pm 0,20$	65,00	$\pm 0,10$
15	75,00	$\pm 0,20$	70,00	$\pm 0,10$
16	80,00	$\pm 0,20$	75,00	$\pm 0,10$
17	85,00	$\pm 0,30$	80,00	$\pm 0,20$
18	90,00	$\pm 0,30$	85,00	$\pm 0,20$
19	95,00	$\pm 0,30$	90,00	$\pm 0,20$
20	100,00	$\pm 0,30$	95,00	$\pm 0,20$
21	105,00	$\pm 0,30$	100,00	$\pm 0,20$
22	110,00	$\pm 0,30$	105,00	$\pm 0,20$
23	115,00	$\pm 0,30$	110,00	$\pm 0,20$
24	120,00	$\pm 0,30$	115,00	$\pm 0,20$

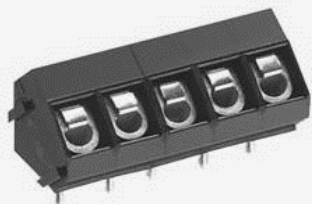
Wire Protector Terminal Block

Part No.: **A12L066**

Customer:

DRW:	Jason	CHKD	Wilson	MATL:	Wilson	TOLERANCE	Mason	DATE	16.10.2012
APPD:	Schumi			FINISH	Jamy		Sheet No.		2 from 4

EDCON-COMPONENTS



Ordering Informations

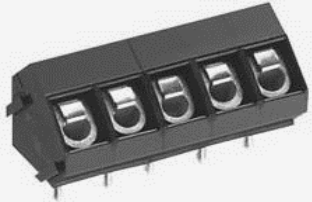
Serie	No. of Pos.	Body Color	Screw Function	Approval Code	ROHS	Packing	EDCON Cust. No.	Customer Version		
-------	-------------	------------	----------------	---------------	------	---------	-----------------	------------------	--	--

A12L066	02	BK	S	N	R	B				
----------------	-----------	-----------	----------	----------	----------	----------	--	--	--	--

Pitch 5,00	02 = Number of Pos. Standard 2 ~ 24Pos.	PG = Phoenix Green (Standard) GN = Green BK = Black	S = Slit Screw C = Cross Slit Screw	N = NON Approval A = UL /UR Approval Please consult EDCON for available B = VDE Approval Please consult EDCON for available C = TÜV Approval Please consult EDCON for available	R = ROHS Conform N = NON ROHS Conform	B = Bulk-Ware I = Individual Package	xxxxxx = Customer Number	xxx = Customer Version ??(Printing)		
---------------	---------------------------------------------------	----------------------------------------------------------------------------------------	----------------------------------------------------------	----------------------------------------------------------------------------------------------------------------------------------------------------------------------------------------------------------------------------------	------------------------------------------------------------	-----------------------------------------------------------	---------------------------------	--------------------------------------------	--	--

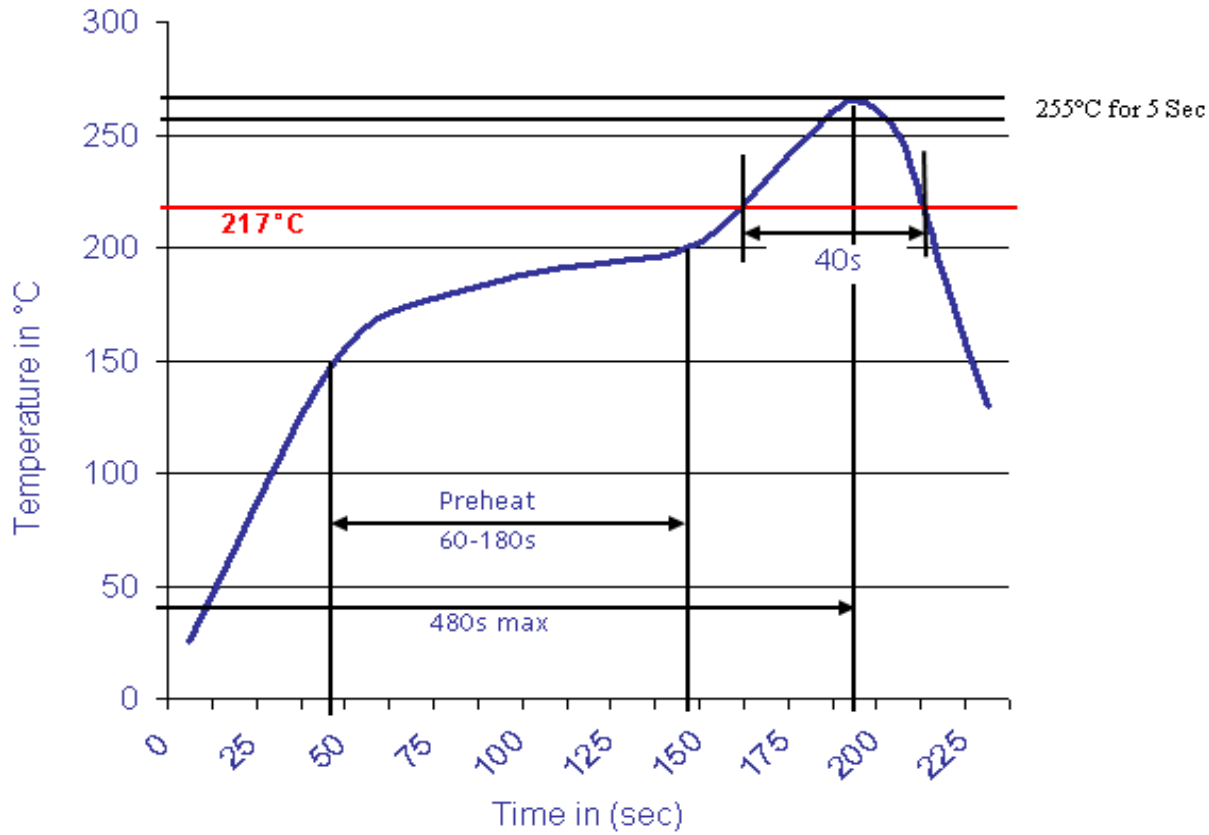
Wire Protector Terminal Block	
Part No.:	A12L066
Customer:	

DRW:	Jason	CHKD	Wilson	MATL:	Wilson	TOLERANCE	Mason	DATE	16.10.2012
APPD:	Schumi			FINISH	Jamy		Sheet No.		3 from 4



Soldering Profile Curve

Classification Reflow Profile (JEDEC J-STD-020C)



Wire Protector Terminal Block	
Part No.:	A12L066
Customer:	

DRW:	Jason	CHKD	Wilson	MATL:	Wilson	TOLERANCE	Mason	DATE	16.10.2012
APPD:	Schumi			FINISH	Jamy		Sheet No.	4 from 4	