

EDCON-COMPONENTS

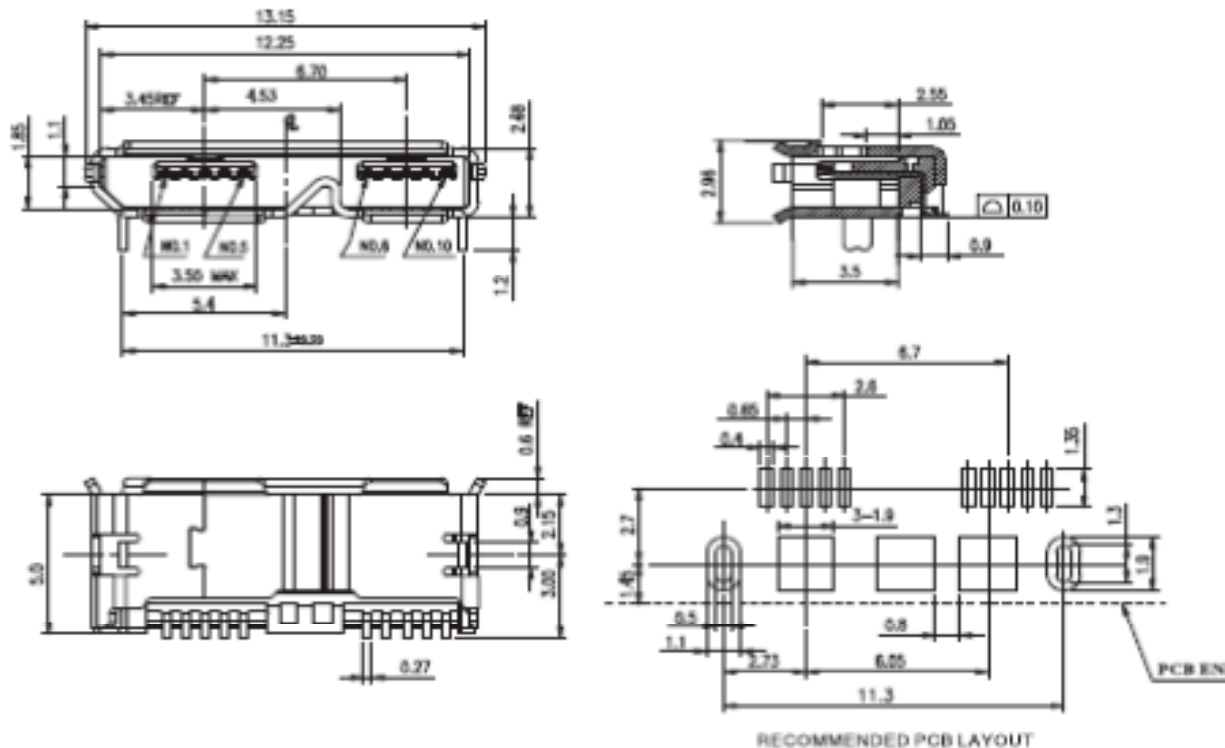


Specifications

Voltage Rating:
 Current Rating: Pin 1+4 1,8A other 0,25A
 Operating Temperature:
 Contact Resistance: Pin 1+4 30mOhm other 50mOhm
 Withstanding Voltage: 100V AC
 Insulation Resistance: 100 Megaohm Min.
 Mating Force: 35 Newtons max.
 Unmating Force: 10 Newtons max.
 Material Housing: LCP, Nylon or PBT Blue/Black
 Contact: Copper Alloy
 Shell: copper alloy, SUS or SPCC
 Contact Plating: Au plated on contact area
 Tin palted on solder area
 Nickel underplating overall
 Nickel plating

Shell:
Connecting Cycle by
 Gold Flash plating min.3000 times

Drawing (dimensions all into mm)



USB-3.0 Connector

Part No.: **T65063-**

Customer:

DRW:	Jason	CHKD	Wilson	MATL:	Wilson	TOLERANCE	Mason	DATE	26.01.2018
APPD:	Schumi			FINISH	Jamy		Sheet No.	1 from 3	

EDCON-COMPONENTS



Ordering Informations

Serie	Contact plating	Body color	Shell Plating	special function	ROHS	Packing				
T65063-	1	BK	1	XX	R	BU				

1= Gold Flash/Tin		1= Nickel plated	xx= No special order	R= ROHS conform	BU= Bulk-Ware
1= Gold 2-3µ Tin	BK= Black	2= AU plated		N= Non ROHS	TY= Tray Packing
1= Gold Flash overall					IV= Individual Packing

USB-3.0 Connector

Part No.: **T65063-**

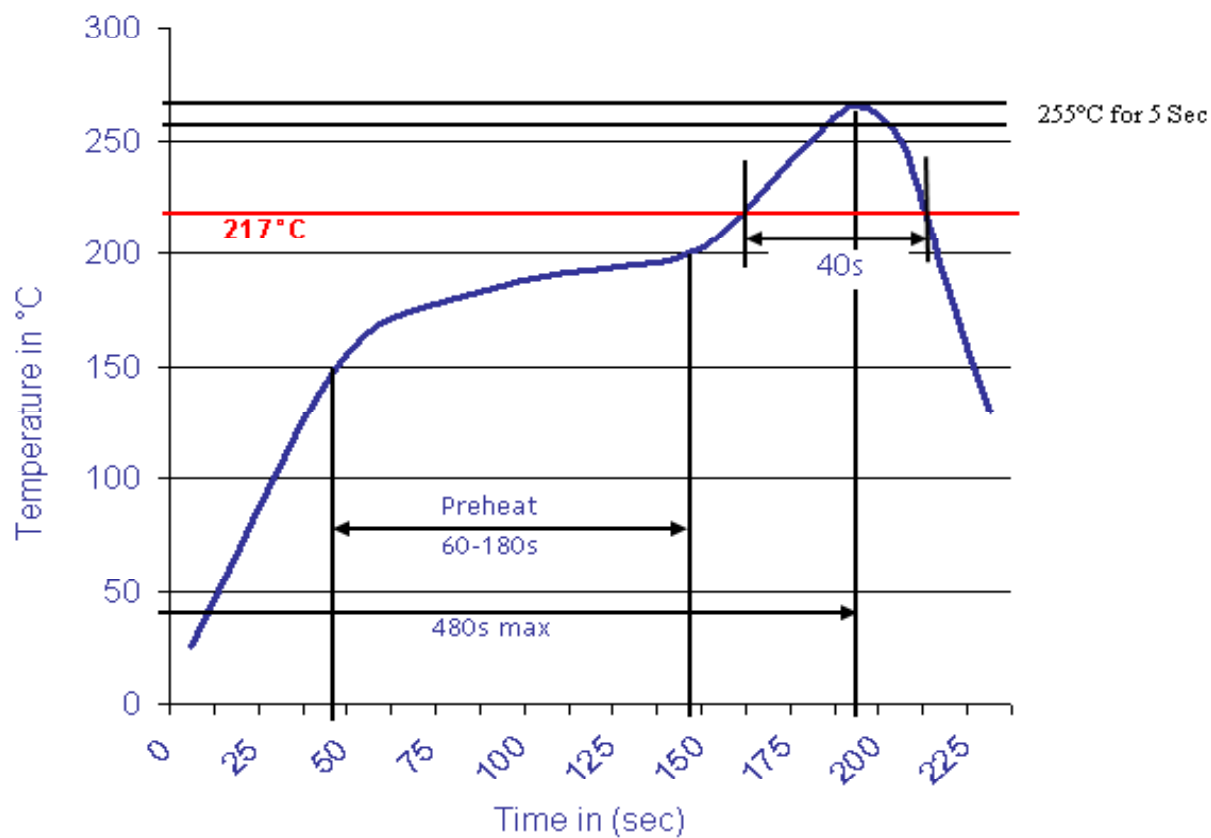
DRW:	Jason	CHKD	Wilson	MATL:	Wilson	TOLERANCE	Mason	DATE	26.01.2018
APPD:	Schumi			FINISH	Jamy		Sheet No.		2 from 3

Customer:



Soldering Profile Curve

Classification Reflow Profile (JEDEC J-STD-020C)



USB-3.0 Connector

Part No.: **T65063-**

Customer:

DRW:	Jason	CHKD	Wilson	MATL:	Wilson	TOLERANCE	Mason	DATE	26.01.2018
APPD:	Schumi			FINISH	Jamy		Sheet No.	3 from 3	