

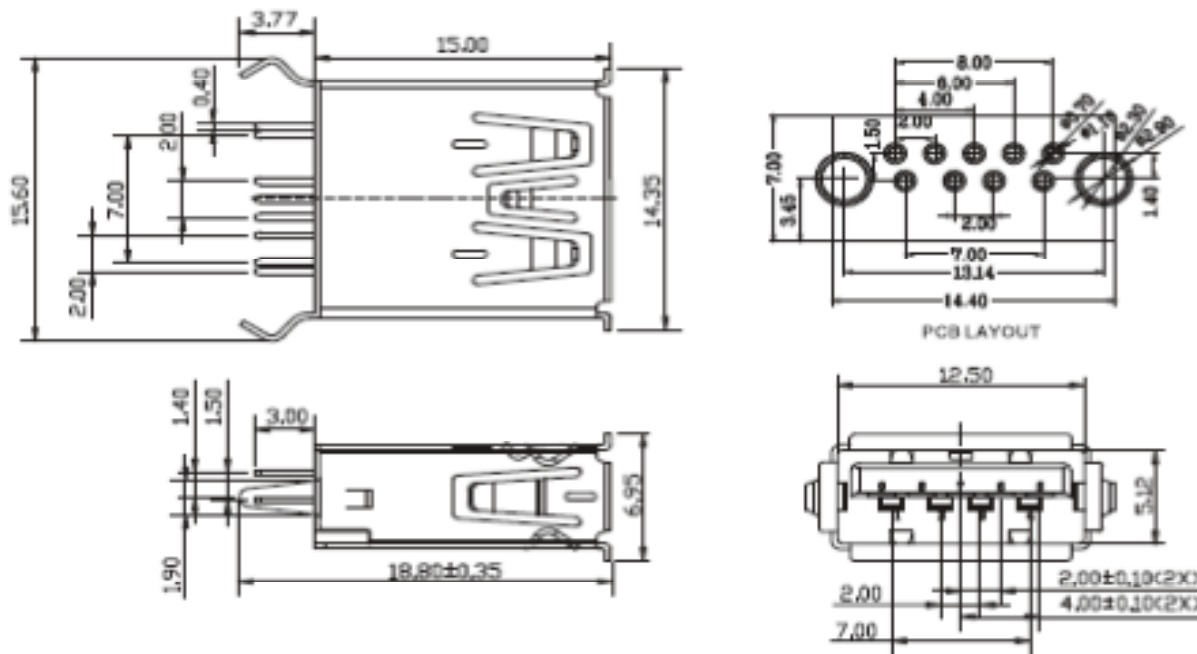
EDCON-COMPONENTS



Specifications

Voltage Rating:	
Current Rating:	Pin 1+4 1,8A other 0,25A
Operating Temperature:	
Contact Resistance:	Pin 1+4 30mOhm other 50mOhm
Withstanding Voltage:	100V AC
Insulation Resistance:	100 Megaohm Min.
Mating Force:	35 Newtons max.
Unmating Force:	10 Newtons max.
Material Housing:	LCP, Nylon or PBT Blue/Black
Contact:	Copper Alloy
Shell:	copper alloy, SUS or SPCC
Contact Plating:	Au plated on contact area Tin palted on solder area Nickel underplating overall Nickel plating
Shell:	
Connecting Cycle by	
Gold Flash plating	min.3000 times

Drawing (dimensions all into mm)



USB-3.0 Connector

Part No.: **T65057-**

Customer:

DRW:	Jason	CHKD	Wilson	MATL:	Wilson	TOLERANCE	Mason	DATE	26.01.2018
APPD:	Schumi			FINISH	Jamy		Sheet No.	1 from 3	

EDCON-COMPONENTS



Ordering Informations

Serie	Contact plating	Body color	Shell Plating	special function	ROHS	Packing				
T65057-	1	BL	1	XX	R	BU				

1= Gold Flash/Tin	BL= Blue	1= Nickel plated	xx= No special order	R= ROHS conform	BU= Bulk-Ware
1= Gold 2-3µ Tin	BK= Black	2= AU plated		N= Non ROHS	TY= Tray Packing
1= Gold Flash overall	WH= White				IV= Individual Packing
	BG= Beige				

USB-3.0 Connector

Part No.: **T65057-**

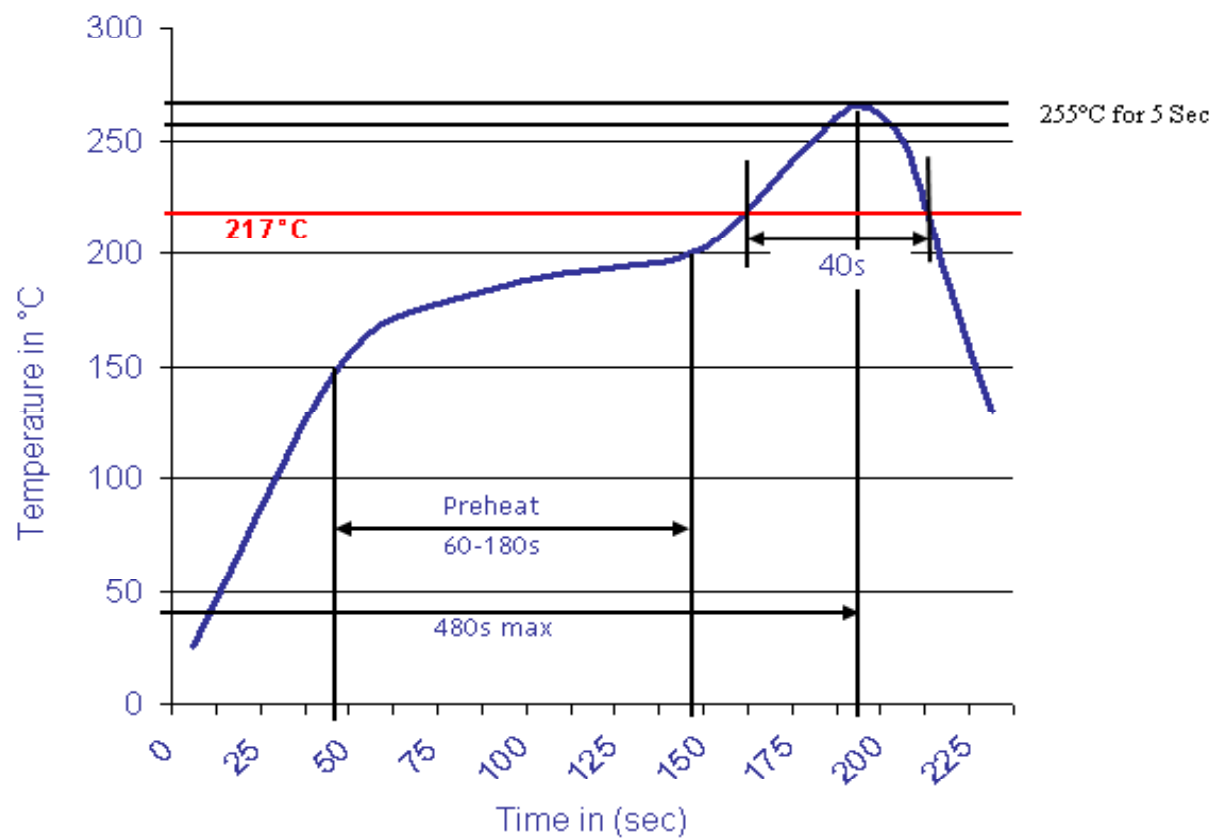
DRW:	Jason	CHKD	Wilson	MATL:	Wilson	TOLERANCE	Mason	DATE	26.01.2018
APPD:	Schumi			FINISH	Jamy		Sheet No.		2 from 3

Customer:



Soldering Profile Curve

Classification Reflow Profile (JEDEC J-STD-020C)



USB-3.0 Connector

Part No.: **T65057-**

DRW:	Jason	CHKD	Wilson	MATL:	Wilson	TOLERANCE	Mason	DATE	26.01.2018
APPD:	Schumi			FINISH	Jamy		Sheet No.	3 from 3	Customer: