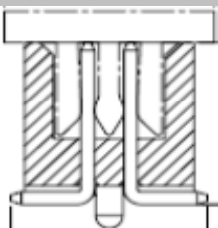


EDCON-COMPONENTS

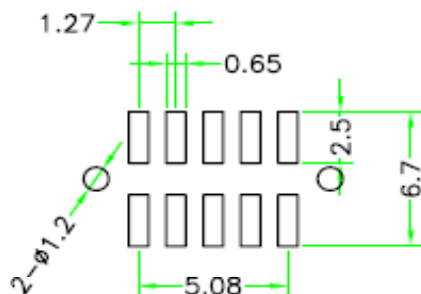


Specifications

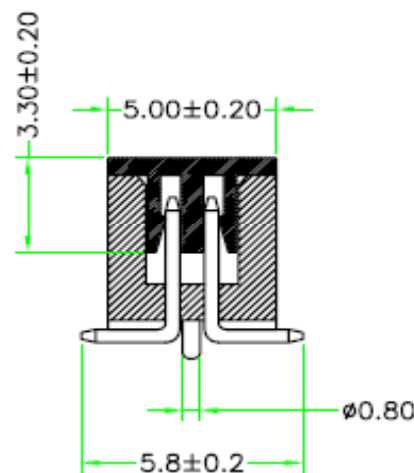
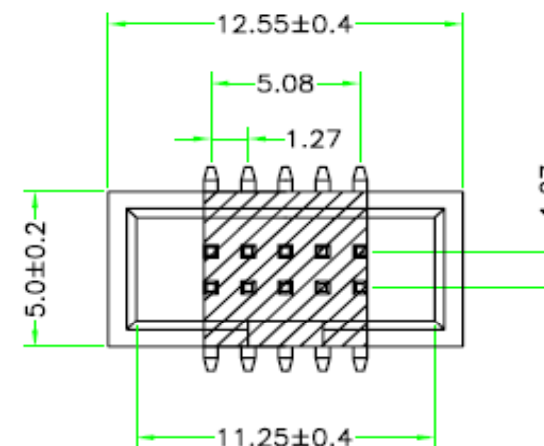
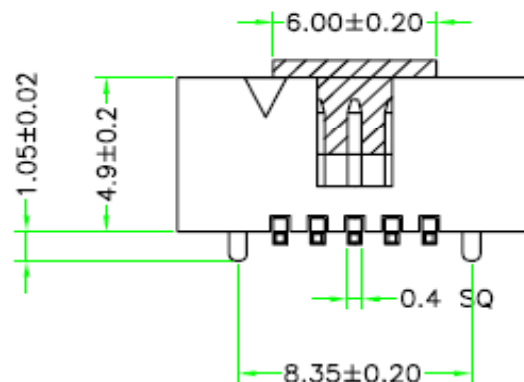
Current Rating: 1,0A
 Insulation Resistance: 1000M Ohm min.
 Contact Resistance: 20milli Ohm max.
 Dielectric Voltage: 250V AC for one minute
 Operating Temperature: -40°C ~ to +105°C
 Insulator Material: LCP +30% G.F.(UL94V-0)

Contact Pin: Phosphor Bronze
 Contact Plating: Gold Flash all over

PCB Layout



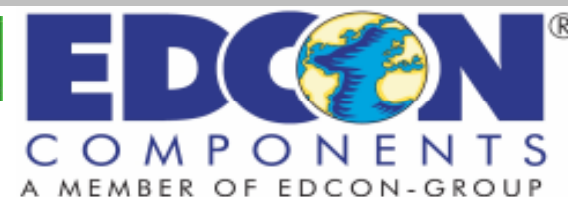
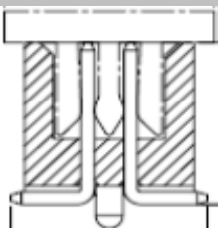
Drawing



| | |
|-------------------------|-----------------|
| Box Header Pitch | |
| 1,27x1,27mm | |
| Part No.: | T16C017- |
| Customer: | |

| | | | | | | | | | |
|-------|--------|------|--------|--------|--------|-----------|-----------|------|------------|
| DRW: | Jason | CHKD | Wilson | MATL: | Wilson | TOLERANCE | Mason | DATE | 26.04.2017 |
| APPD: | Schumi | | | FINISH | Jamy | | Sheet No. | | 1 from 3 |

EDCON-COMPONENTS



Ordering Informations

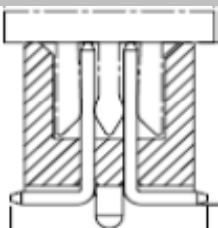
| Serie | No. of Pos. | Contact Plating | Material | Color of Body | ROHS | Packing | | | |
|-----------------|-------------|-----------------|-----------|---------------|----------|-----------|--|--|--|
| T16C017- | XX | G0 | LC | BK | R | BU | | | |

| | | | | | |
|---|--|-------------------------|------------------|---------------------------|-----------------------------|
| XX= 06,08, 10,12,14,16, 20,22,24,26, 30,34,40,44, 50,60,64,80, | G0= Gold Flash | P6= PA6T +30% GF | BK= Black | N= NO ROHS conform | BU= Bulk Ware |
| | T0= Tin plated | | | | |
| | GA= 3µ Gold Plating | | WH= White | | TY= Tray Packing/Cap |
| | GB= 5µ Gold Plating | | | | |
| | GC= 10µ Gold Plating | | | | |
| | GD= 30µ Gold Plating | | | | |
| | S0= Selectiv Plating Gold Flash / Tin | | | | |
| | SD= Selectiv Tin/ 5µGold | | | | |
| SD= Selectiv Tin/ 10µ Gold Flash | SD= Selectiv Tin/ 30µ Gold | | | | |
| SD= Selectiv Tin/ 20µ Gold | | | | | |

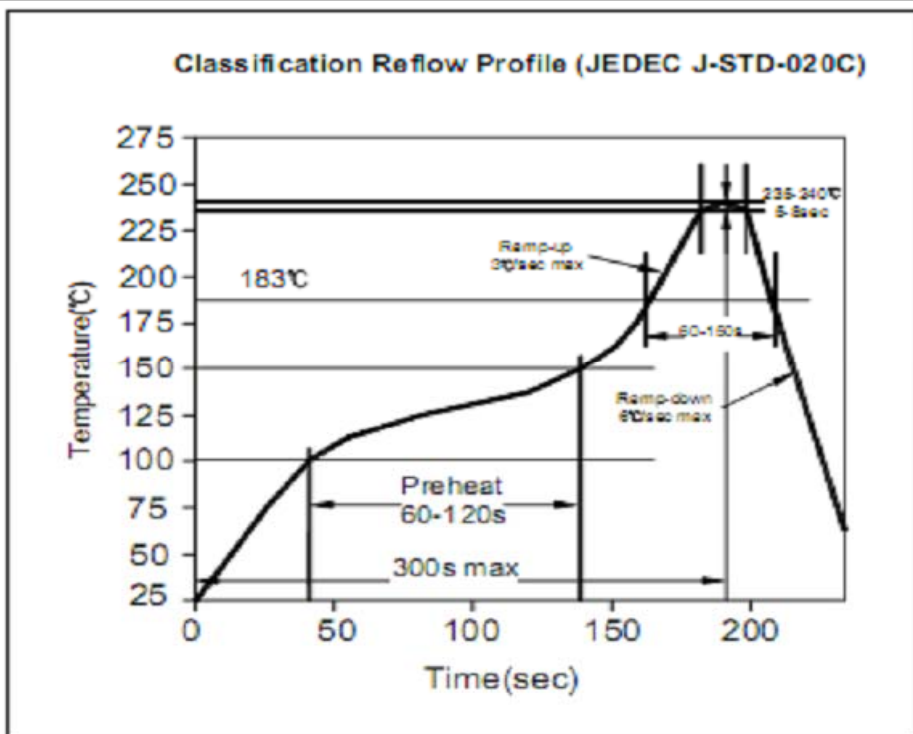
| |
|---|
| Box Header Pitch 1,27x1,27mm |
| Part No.: T16C017- |
| Customer: |

| | | | | |
|--------------|--------------|--------------|------------------|------------------|
| DRW: Jason | CHKD: Wilson | MATL: Wilson | TOLERANCE: Mason | DATE: 26.04.2017 |
| APPD: Schumi | FINISH: Jamy | Sheet No.: | 3 from 3 | |

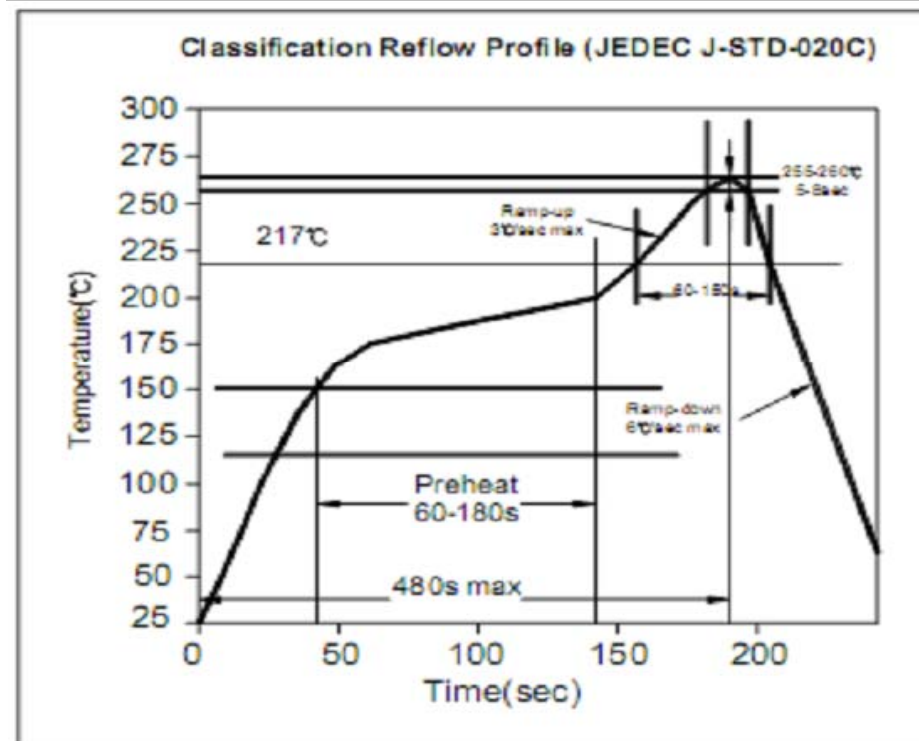
EDCON-COMPONENTS



Soldering Profile for Lead Soldering (P.B.T.)



Soldering Profile for Lead Free Soldering (Nylon 6T)



**Box Header Pitch
1,27x1,27mm**

Part No.: **T16C017-**

| | | | | | | | | | |
|-------|--------|------|--------|--------|--------|-----------|-----------|----------|------------|
| DRW: | Jason | CHKD | Wilson | MATL: | Wilson | TOLERANCE | Mason | DATE | 26.04.2017 |
| APPD: | Schumi | | | FINISH | Jamy | | Sheet No. | 3 from 3 | Customer: |